

D-SPLIT– Datasheet

DMX512 Optical isolator/splitter



70578



70579

The D-SPLIT is a 1 to 4 DMX 512 splitter, allowing you to send your signal in different directions or to increase the number of fixtures that you can send your signal to (DMX signal is limited to running through 32 fixtures).

Run your DMX cable to the Male DMX Input (only one input), the D-SPLIT will duplicate the signal on each of the four outputs. The D-SPLIT outputs are optically isolated, meaning that it protects against up to 1000V of stray voltage, protecting your DMX controller and fixtures on the other D-SPLIT outputs.

The D-SPLIT can provide more flexibility in connecting DMX controlled devices. Instead of having to make them all fit within a single daisy chain, each of the four outputs from the D-SPLIT can be the start of its own chain, and multiple D-SPLITs can be linked together if needed.

Features

- **Lightweight and portable.**
- **1 DMX input**
Both SKU offer flexibility of 3-Pin and 5-Pin male connector for connection to only 1 DMX input.
- **4 DMX outputs (choose between 2 SKU)**
[70578] Two 5-PIN and two 3-PIN outputs for greater flexibility.
[70579] All 5-PIN DMX outputs.
- **All outputs are optically isolated (protects against up to 1000V of stray voltage).**
- **DMX512-1990 compatible.**
- **Controls up to 512 channels**
- **Daisy chain via input ports without utilizing any output ports**
- **LED indicators when powered.**
- **External power supply (included).**

Distributor:



Phone: 407-857-8770
Fax: 407-857-8771
Email: sales@techni-lux.com
www.techni-lux.com

Specification

Connectors	Input ¹	1x 5 Pin DMX 1x 3 Pin DMX
	70578 Output	2x 3 Pin DMX 2x 5 Pin DMX
	70579 Output	4x 5 Pin DMX
IP rating	IP20	
LED indicators	Power & Data Output	
Input Protocol	USITT DMX512-1990	
Output Protocol	USITT DMX512-1990	
RDM compatibility	No	
Max channel	512 channels (1 Universe)	
Input Voltage	7V-24VDC	
Maximum Current	400mA	
Environmental operating temperature	0°C to 50°C 32°F to 122°F	
Environmental operating humidity	5- 95% (non-condensing)	
Body material	ABS plastic	
Unit dimensions	116 x 87 x 52mm	
Unit weight	0.16kg / 0.35lbs	
Shipping dimensions	235 x 160 x 68mm	
Shipping weight	0.5kg / 1.10lbs	
Warranty	1 year return to base manufacturer warranty	

¹ Only one input is allowed. No output/error with 2 input signals simultaneously.

Certification



Box contents

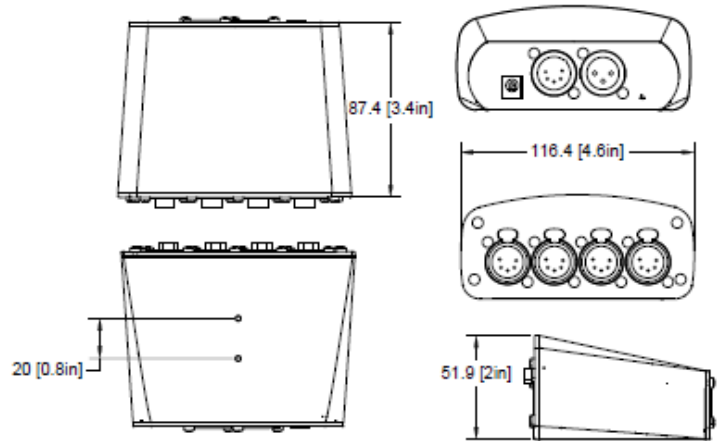
- D-split
- Power supply with UK/EU/S/AU adaptor
- TS35 DIN clip & 2x mounting screws

enttec.com

MELBOURNE AUS / LONDON UK / RALEIGH-DURHAM USA

Due to constant innovation, information within this document is subject to change.

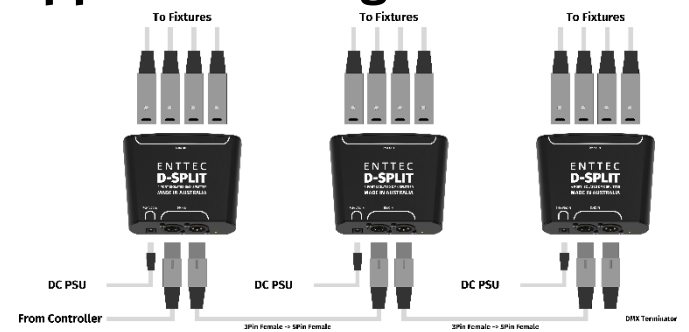
Dimension



DMX connector pin config

3/5 Pin		
Pin 1: 0V	Pin 2: Data -	Pin 3: Data +
Pin 4: NC	Pin 5: NC	

Application diagram



Safety

- This unit is intended for indoor use only. Do not expose to rain or moisture, doing this will void the warranty.
- Make all the connections before you plug in the mains power.
- Do not open the unit, there are no serviceable parts inside.
- Never plug this unit into a dimmer pack.

Ordering information

For further support and to browse ENTTEC's range of products visit the [ENTTEC website](https://www.enttec.com).

Item	SKU
D-SPLIT (3PIN AND 5PIN OUTPUT)	70578
D-SPLIT (ALL 5 PIN OUTPUT)	70579