



APPLICATION & ASSEMBLY INSTRUCTION

powerCON® | Locking 3 pole Power Connector NAC3FXXA-W-* & NAC3FXXB-W-*

A APPLICATION & SAFETY INSTRUCTION

APPLICATION:

- The powerCON system is certified as a connector with breaking capacity according IEC/EN/UL/CSA-C22.2 No. 60320-1.
- It is intended for use as an appliance coupler and interconnection coupler.
- It serves to supply power to an appliance and from an appliance to other equipment.
- To be installed by qualified person only.

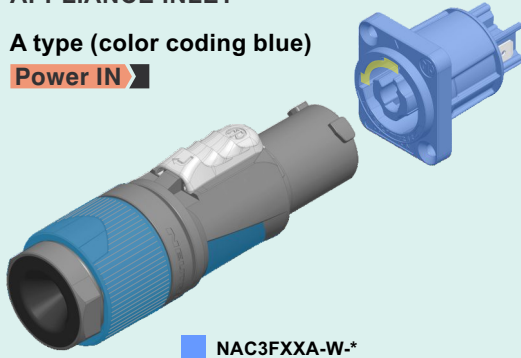
Connector Combination & Keyways:

With the two non-interchangeable types of connectors (A type and B type) it is impossible to produce a short circuit. Mating connectors (combination) are identified by mechanical keyways and by color.

APPLIANCE INLET

A type (color coding blue)

Power IN ▶

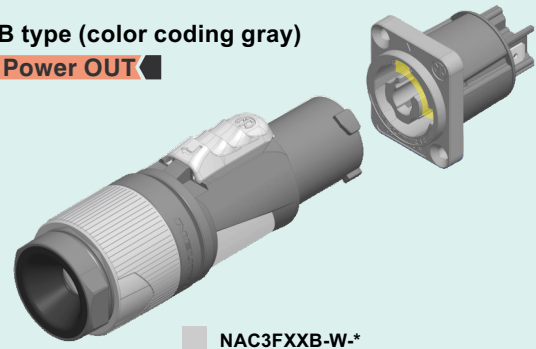


■ NAC3FXXA-W-*

APPLIANCE OUTLET

B type (color coding gray)

Power OUT ◀



■ NAC3FXXB-W-*

Approval based:

IEC/EN 60320-1



UL 60320-1

CAN/CSA-C22.2 No. 60320-1



Rating:

250 V ac / 16 A

127 V ac / 20 A

Wire size:

1.5 - 2.5 mm²

16 - 12 AWG

Cable O.D.:

*-S:

6.0 - 12.0 mm (0.24 - 0.47")

6.0 - 12.0 mm (0.24 - 0.47")

*-L:

10.0 - 16.0 mm (0.39 - 0.63")

10.0 - 16.0 mm (0.39 - 0.63")

CABLE LIST

Cable: IEC/EN 60320-1

3 x 1.5 mm²

3 x 2.5 mm²

■ H07RN-F

-S

-L

■ H05RN-F

-S

-

■ H05VV-F

-S

-S

Cable: UL 60320-1, CAN/CSA-C22.2 No. 60320-1

16/3 AWG

14/3 AWG

12/3 AWG

■ SOOW

-S

-L

-L

■ SJOOW

-S

-S

-L

■ SJTOOW

-S

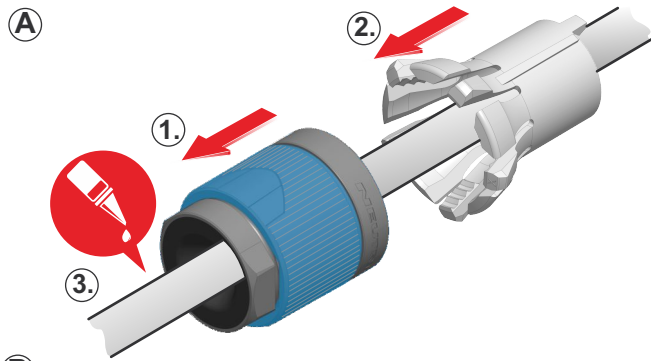
-S

-S





B ASSEMBLY INFORMATION



Place the bushing (1) and chuck (2) over the cable.

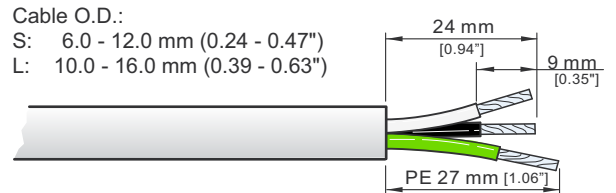
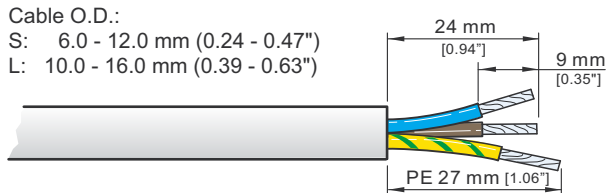
Important: Chuck and Bushing cannot be placed over the cable after the assembly of the insert.

(3) For easier assembly please use a cable lubricant.

B

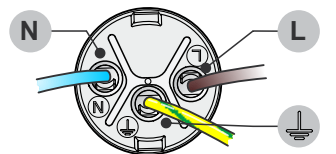
■ IEC/EN 60320-1

■ UL60320-1
CAN/CSA-C22.2 No. 60320-1



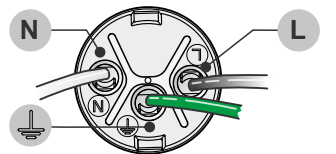
C IEC/EN 60230-1

Slide the cable into the contacts and clamp with the screw with Torx size T8.

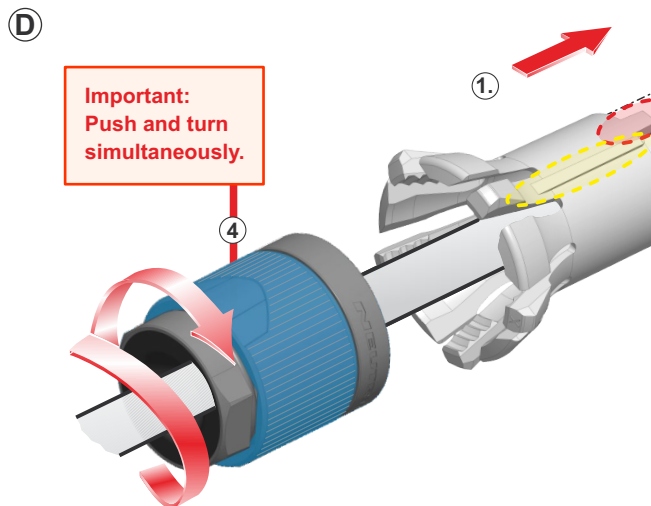


Torque Value 0.7 Nm
(6.2 inch pound / 0.52 lb.ft)

**UL60320-1
CAN/CSA-C22.2 No. 60320-1**



Typical Wiring	IEC/EN 60230-1	UL60320-1 CAN/CSA-C22.2 No. 60320-1
L P	brown	black
N P	blue	white
PE P	green/yellow	green



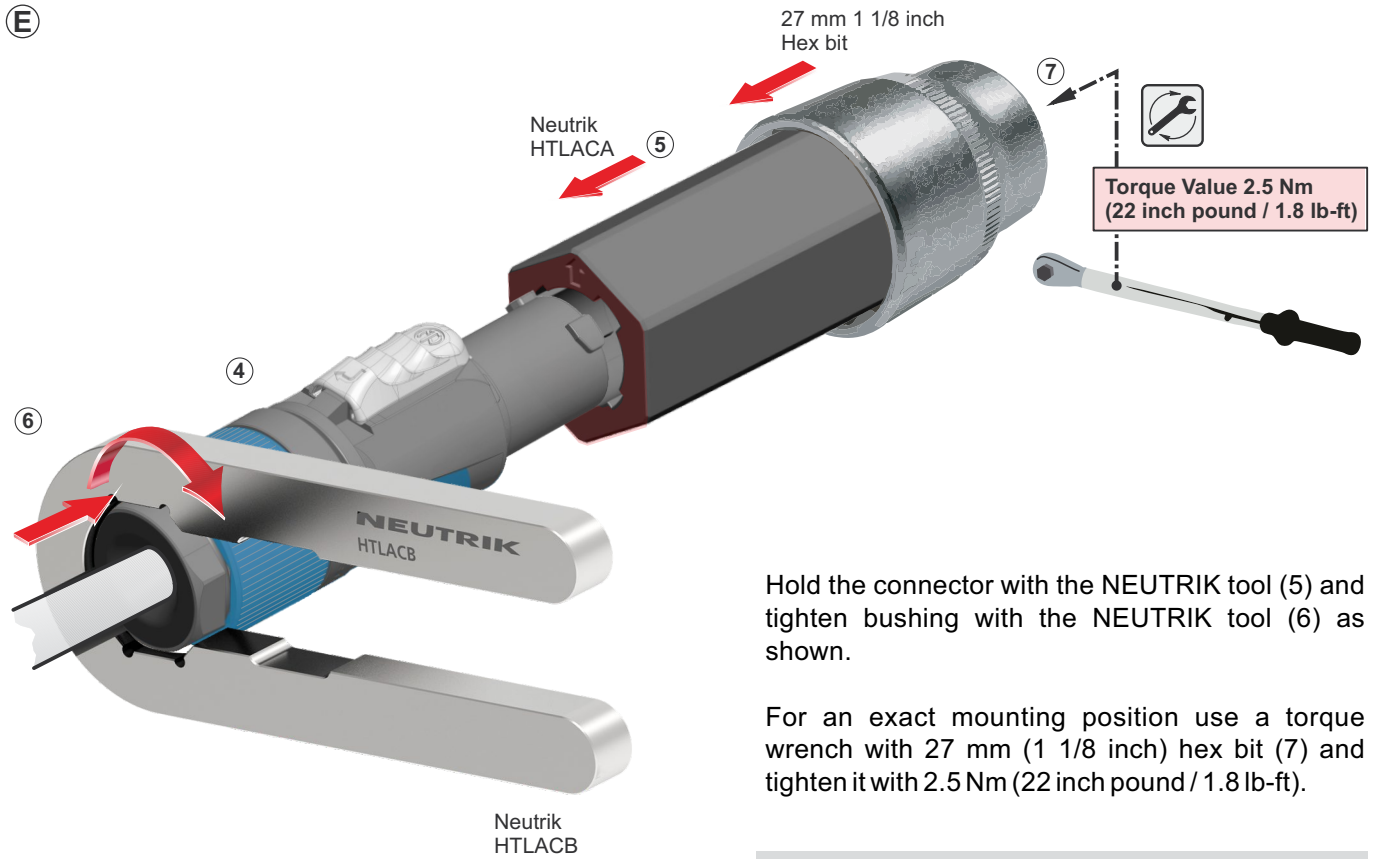
Position chuck (1) on insert (2).

Slide insert (2) with chuck (1) together into housing (3).

Important: Align the chuck by positioning the nose into keyway.

Slide bushing (4) over chuck (1).





Hold the connector with the NEUTRIK tool (5) and tighten bushing with the NEUTRIK tool (6) as shown.

For an exact mounting position use a torque wrench with 27 mm (1 1/8 inch) hex bit (7) and tighten it with 2.5 Nm (22 inch pound / 1.8 lb-ft).

NEUTRIK tool Information:

(5) HTLACA



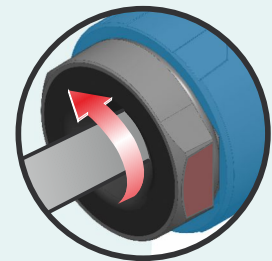
(6) HTLACB



C DISASSEMBLY INFORMATION

FOR DISASSEMBLY!

1. Use the Neutrik tool HTLACB.
2. Position the tool on the surfaces and open the clamping sleeve.

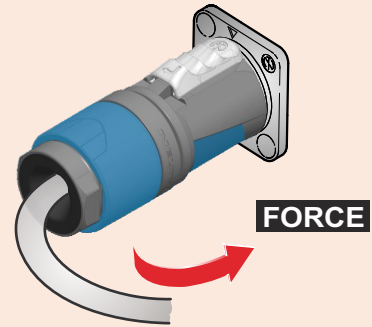




D SAFETY INFORMATION

CAUTION

To ensure protection category, do not expose the connection to bending forces (e.g. do not attach loads to the cable, no free-dangling cable windings etc.).



SAFETYWARNING

For safety and certification reasons the connector must be replaced in case of any broken parts or excessive wear and tear.



E More Information on the www.neutrik.com

<https://www.neutrik.com/products/audio/powercon>



Distributor:



Phone: 407-857-8770

Fax: 407-857-8771

Email: sales@techni-lux.com

www.techni-lux.com

Neutrik AG	LI	T: +423 / 237 24 24	F: +423/232 53 93
Neutrik USA Inc.	USA	T: +1 704 / 972 3050	F: +1 704/438 9202
Neutrik (UK) Ltd.	UK	T: +44 1983 / 811 441	F: +44 1983/811 439
Neutrik Vertriebs GmbH	DE/NL/AT/DK	T: +49 8131 / 280 890	F: +49 8131/280 830

Neutrik France	FR	T: +33 1/4131 6750	F: +33 1/4131 0511
Neutrik Tokyo Ltd.	JP	T: +81 3/3663 4733	F: +81 3/3663 4796
Neutrik Hong Kong Ltd.	HK	T: +852/2687 6055	F: +852/2687 6052

Draft. Nr.: BDA 639 V1 | Update: 2022-11-16 | Data subject to change without prior notice. © 2022 NEUTRIK®. NEUTRIK® are registered trademark of Neutrik AG. ALL RIGHTS RESERVED.