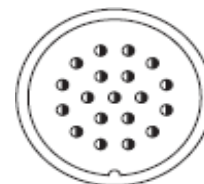
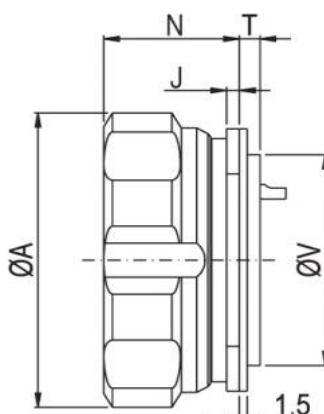
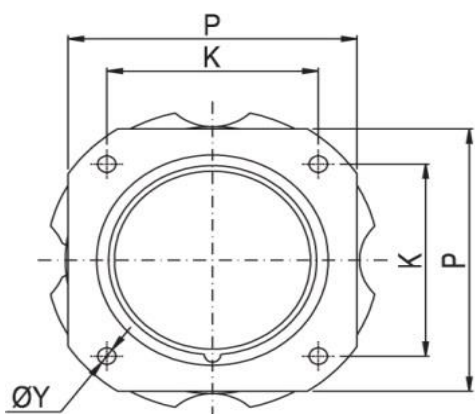


Techni-Lux Part No: CO-19PIN-PM-C
 CEEP Part No: 9209419AR0P020


19 x 25A Solder Contacts, 400V Constant, 1,750V Peak. IP67 (Waterproof) When mated


Key	mm
A	64.5
K	41
P	56
T	4
V	45
Y	3.5
J	2.8
N	26.5

Technical Data

Connector Type:	Circular Series 92	Current Rating:	19 x 25A
Plan-form:	419AR, 19 Pin	Voltage Rating:	400V
Gender:	Male Plug	Peak Voltage:	1,750
Termination Method:	Solder	Max Wire Area Size:	19 x 5.1mm ²
Contact Material:	Copper Alloy	Contact Resistance:	5mΩ
Contact Plating:	Gold over Nickel	IP Rating:	IP67
Shell Material:	Aluminium Alloy	Min Operating Temperature:	-40°C
Shell Plating:	Black anodised (non conductive)	Max Operating Temperature:	+85°C
Insulator Material:	Thermoestable	Termination Method:	Screw Lock

Mating Parts

Female inline connector	9201419E00SA20 (Leading Earth)	9203419E00SA20 (Leading Earth)
	9201419E00SB20 (Leading Earth)	9203419E00SB20 (Leading Earth)
	9201419E00SD20 (Leading Earth)	9203419E00SD20 (Leading Earth)
	9201419AR0SA20	9203419AR0SA20
	9201419AR0SB20	9203419AR0SB20
	9201419AR0SD20	9203419AR0SD20

Accessories

IP67 Waterproof cap 92T0640P20

CC210715

Distributor: Phone: 407-857-8770
 Fax: 407-857-8771
 Email: sales@techni-lux.com
 www.techni-lux.com