

Single Pole Devices and Temporary Power

300A, 600V AC/250V DC

Male Plug

Features

- Insulgrip® Style Housing for Superior Gripping
- Non-Conductive Retaining Screw locks contacts in place
- Large Raised Alignment Arrow aids in the mating of devices

HUBBELL



Ordering Information

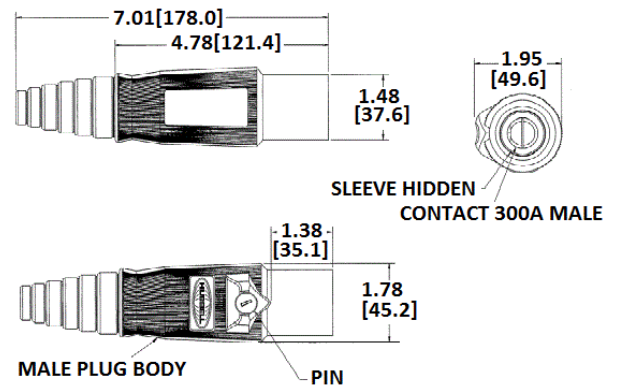
Description	Device Color	UPC	Catalog Number
300A, thermoplastic elastomer, cable size #6 - 2/0 AWG	Black	783585112084	HBL300MBK

Standards

UL and cUL Listed
UL Enclosure Types 3R, 4X, 12
National Electric Code (NEC), ANSI/NFPA 70

Specifications

Base Compound	Thermoplastic Elastomer
Contact Material	Brass
Retaining Screw Material	Nylon



Performance

Electrical	
Amperage Rating	400A Maximum
Voltage Ratings	600V AC Maximum; 250V DC Maximum

Mechanical	
Product Identification	Ratings are a permanent part of device
Terminal Accommodation	#6 to 2/0 AWG

Environmental	
Flammability	HB per UL94 or CSA 22.2. 0.17

Online Resources

eCatalog

Distributor:



Phone: 407-857-8770

Fax: 407-857-8771

Email: sales@techni-lux.com

www.techni-lux.com

Dimensions in Inches (mm)

Hubbell Wiring Device-Kellems • Hubbell Incorporated (Delaware) • 40 Waterview Drive • Shelton, CT 06484

Phone (800) 288-6000 • Fax (800) 255-1031 • Specifications subject to change without notice.

