

# Twist-Lock® Devices 20A, 125V AC; 2 Pole, 3 Wire Grounding Insulgrip® Connector

# HUBBELL

## Features

- Ribbed nylon housing provides a secure grip and impact and chemical resistance.
- Superior cord grip design protects terminations from excess strain.
- Clear, funnel shaped wire entry for ease of termination.
- Integral dust shield protects wiring chamber from dust or contaminants.



## Ordering Information

Description	Cord Diameter	UPC	Catalog Number
Black and white nylon.	.360"-.930"(9-24)	783585037745	HBL2313

## Listings

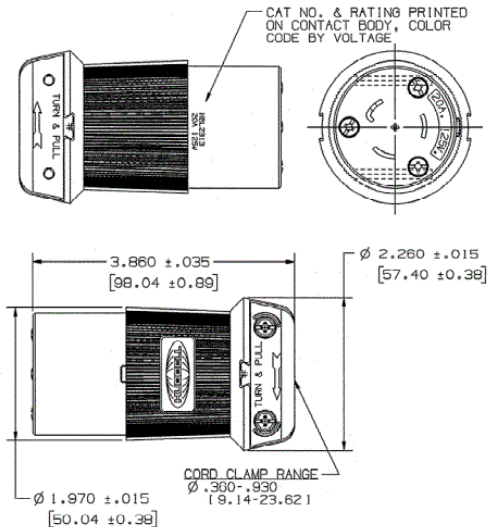
Listed to UL 498  
Fed.Spec. W-C-596  
Certified to CSA C22.2 No.42

## Specifications

Housing / Cord Clamp	Nylon
Terminal Retainer	Clear polycarbonate
Contacts	Brass
Terminal Screws	#10-32 Brass (Phillips / Slotted / Robertson)
Terminal Clamp	Cold rolled steel – nickel plated
Assembly Screws	Steel - nickel plated

## Performance

<b>Electrical</b>	
Current Interrupting	Certified for current interrupting at full rated current
Dielectric Voltage	Withstands 2,000V minimum
<b>Mechanical</b>	
Terminal Accommodation	#16 AWG - #8 AWG stranded copper wire only.
Terminal Identification	Terminals identified in accordance with UL 498
<b>Environmental</b>	
Flammability	HB or better per UL94 or CSA 22.2 No. 0.6
Moisture Resistance	IP20 Suitability
Operating Temperatures	Maximum Continuous 75°C Minimum -40°C (w/o impact)



## Accessories

Plug	HBL2311
Weatherproof Boot	HBL6032
Flanged Inlet	HBL2315
Weatherproof Boot	HBL6031

## Resources

Customer Use Drawing  
eCatalog



Distributor:  
Phone: 407-857-8770  
Fax: 407-857-8771  
Email: sales@techni-lux.com  
www.techni-lux.com

Dimensions in Inches (mm)

Hubbell Wiring Device-Kellems • Hubbell Incorporated (Delaware) • 40 Waterview Drive • Shelton, CT 06484

Phone (800) 288-6000 • Fax (800) 255-1031 • Specifications subject to change without notice.

