

# Insul-Lock™ Connectors

## 25 Amp

### Panel Mount

# HUBBELL

#### Features

- Divided Back Plate
- Panel mount devices accept commonly available .25" Sta-Kon™ style connectors.
- Industry standard mating

#### Ordering Information

<b>Description</b> Blue, Power In, Divided, 25 Amp, Panel Mount	<b>UPC</b> 783585539126	<b>Catalog Number</b> HBLPMIDBL
<b>Cord Size</b> .25" Sta-Kon™ style connectors.	<b>Color</b> Blue	

#### Listings

cULus  
 UL Recognized Component rated up to 25A per UL 1977  
 cUL Recognized Component rated up to 25A per Canadian National Standard C22.2 No. 182.3  
 Suitable for use in UL 1640 applications

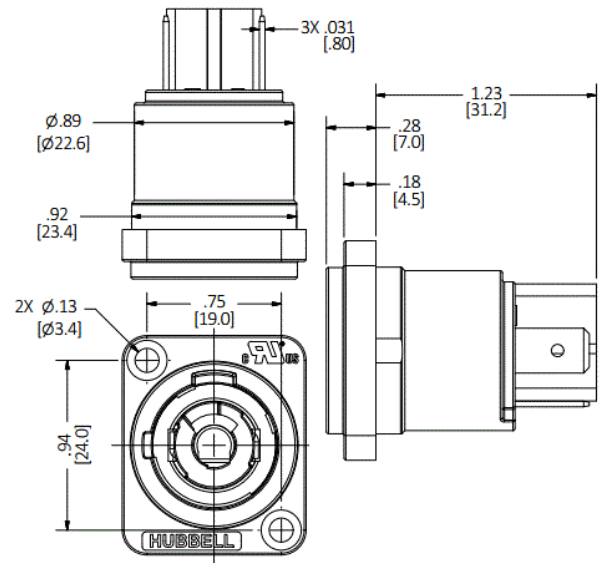
#### Specifications

Body	Thermoplastic
Contacts	Copper Alloy
Weight	0.026

#### Performance

##### Electrical

Amperage	15A
Voltage	up to 250V



#### Complementary Products

25 Amp Panel Mount HBLCPIBL, HBLPMRP, HBLPMSC

#### Online Resources

eCatalog

Distributor:



Phone: 407-857-8770  
 Fax: 407-857-8771  
 Email: sales@techni-lux.com  
 www.techni-lux.com

Dimensions in Inches (mm)

Hubbell Wiring Device-Kellems • Hubbell Incorporated (Delaware) • 40 Waterview Drive • Shelton, CT 06484

Phone (800) 288-6000 • Fax (800) 255-1031 • Specifications subject to change without notice.

