

Insul-Lock™ Connectors

25 Amp

Panel Mount

HUBBELL

Features

- Impact Resistant Thermoplastic Construction
- Panel mount devices accept commonly available .25" Sta-Kon™ style connectors.
- Industry standard mating

Ordering Information

Description	UPC	Catalog Number
Blue, Power In, 25 Amp, Panel Mount	783585539102	HBLPMIBL

Cord Size	Color
.25" Sta-Kon™ style connectors.	Blue

Listings

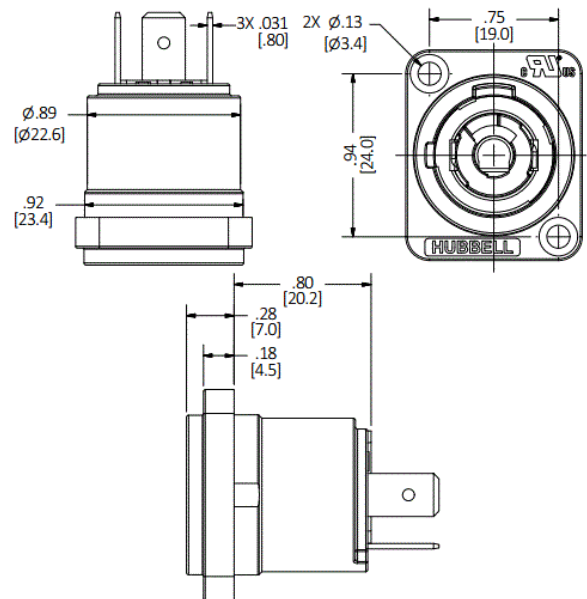
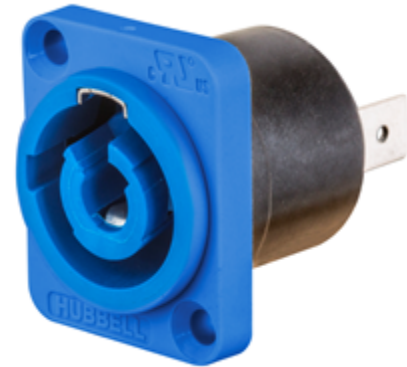
cULus
 UL Recognized Component rated up to 25A per UL 1977
 cUL Recognized Component rated up to 25A per Canadian National Standard C22.2 No. 182.3
 Suitable for use in UL 1640 applications

Specifications

Body	Thermoplastic
Contacts	Copper Alloy
Weight	0.026

Performance

Electrical	
Amperage	15A
Voltage	up to 250V



Complementary Products

25 Amp Panel Mount	HBLCPIBL, HBLPMRP, HBLPMSC
--------------------	----------------------------

Online Resources

eCatalog

Distributor:



Phone: 407-857-8770

Fax: 407-857-8771

Email: sales@techni-lux.com

www.techni-lux.com

Dimensions in Inches (mm)

Hubbell Wiring Device-Kellems • Hubbell Incorporated (Delaware) • 40 Waterview Drive • Shelton, CT 06484

Phone (800) 288-6000 • Fax (800) 255-1031 • Specifications subject to change without notice.

