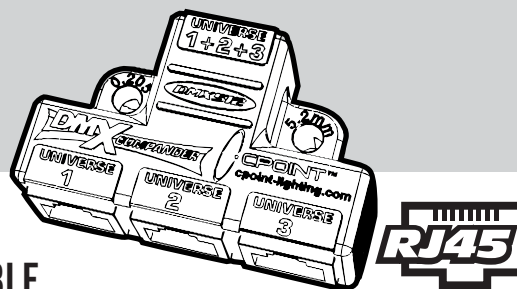




CPOINT DMXCOMPANDER

FACT SHEET



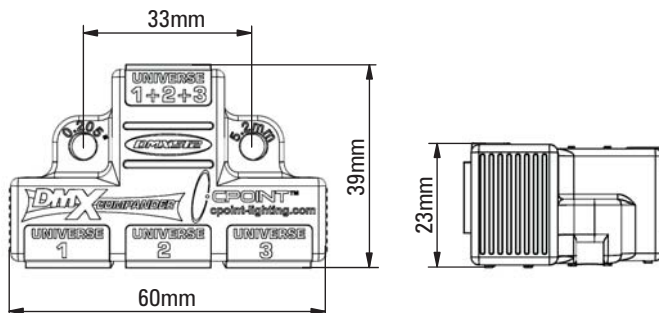
RUN THREE DMX12 UNIVERSES IN ONE CAT5 CABLE

A CAT5 cable has four data-pairs, one pair is used as the 0V reference and the other three pairs are used for DMX512 Data+ and Data-. Through the three RJ45 connectors on the DMXcompander, three DMX512 Universes can be "COMpressed" into one CAT5 cable through the 'Universe 1 + 2 + 3' RJ45 connector. In the other end of the CAT5 cable another DMXcompander can be used to "exPAND" the DMX512 Universes again, making them available through the three RJ45 connectors. Together with CAT5 cables and CPOINT's XLRJ45 adapters, a DMX512 network can be set up very quickly and at a very low cost.

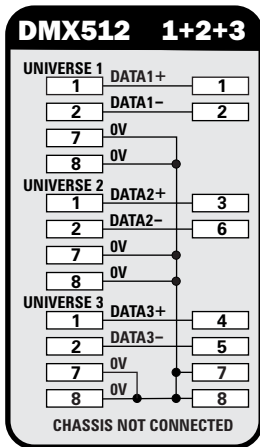
FEATURES

- Three DMX512 Universes (1536 channels) combined into one CAT5 cable.
- RJ45 connectors used for connection with inexpensive CAT5 cables.
- Gold-plated pins on RJ45 connectors.
- Sturdy molded housing.
- Mountable on DIN rail.
- Mountable in lighting-rig.
- Mountable with 5mm/0.2" screws or cable-tie.
- Weight including packaging, 67g/2.36oz.
- EAN13 Barcode on packaging.
- Sturdy shell style packaging.
- Easy to use.
- Low cost.

DMXCOMPANDER SIZE



CONNECTION DIAGRAM



THE UNIVERSAL UNIVERSE 3
NOTE: The 3rd Universe, pin 4 and pin 5, is unspecified by the ESTA Association. It opens up the 3rd Universe to be used for something else other than DMX512, for example power. A CAT-5 cable wire pair (24AWG x 2) is specified to carry up to 360mA at a maximum of 50V according to the TIA Association.

BLISTER PACKAGING SIZE



ORDER CODE

■ DMXCOMP-RJ45

Distributor:



CPOINT™
www.cpoint-lighting.com

Techni-Lux
www.techni-lux.com

Phone: 407-857-8770
 Fax: 407-857-8771
 Email: sales@techni-lux.com