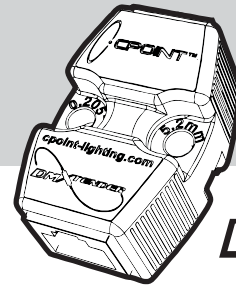




CPOINT DMXTENDER

FACT SHEET



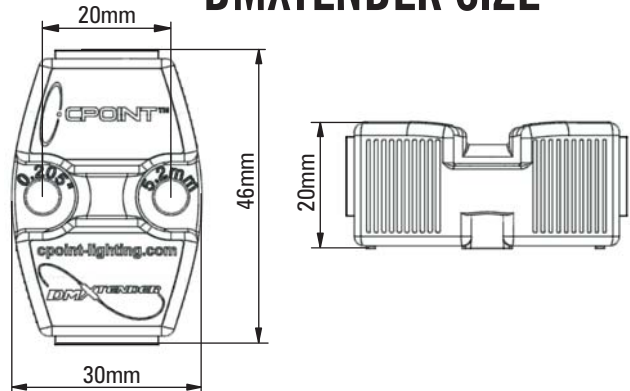
ROBUST MOUNTABLE CAT-5 CABLE EXTENDER

The DMxtender makes it possible to connect two CAT-5 cables together. The DMxtender can be mounted on a DIN rail as well as onto a two inch rig by using a cable-tie or screwed onto a wall etc. The sturdy design of the DMxtender makes it very suitable for professional use. Together with the CPOINT XLRJ45 adapter a DMX512 network can be built very quickly and at a very low cost. With the CPOINT DMXcompander you can run 1536 channels in one CAT-5 cable. Visit the CPOINT website for more information about our products.

FEATURES

- Use to connect two CAT-5 cables together.
- Gold-plated pins on RJ45 connectors.
- Sturdy molded housing with non-slip grip.
- Mountable on a DIN rail, lighting-rig, wall etc.
- Mountable with 5mm/0.2 screws or cable-tie.
- Weight including packaging, 44 gram/1.55 oz.
- EAN13 Barcode on packaging.
- Sturdy shell style packaging.
- Easy to use.
- Low cost.

DMXTENDER SIZE



CONNECTION DIAGRAM

| RJ45 | | RJ45 |
|------|-------|------|
| 1 | D1+ | 1 |
| 2 | D1- | 2 |
| 3 | D2+ | 3 |
| 6 | D2- | 6 |
| 4 | (D3+) | 4 |
| 5 | (D3-) | 5 |
| 7 | 0V | 7 |
| 8 | 0V | 8 |

NOTE1: PINS 5 AND PIN 4 ARE UNSPECIFIED BY THE ESTA ASSOCIATION

NOTE2: CHASSIS NOT CONNECTED TOGETHER

THE UNIVERSAL UNIVERSE 3
NOTE: The 3rd Universe, pin 4 and pin 5, is unspecified by the ESTA Association. It opens up the 3rd Universe to be used for something else other than DMX512, for example power. A CAT-5 cable wire pair (24AWG x 2) is specified to carry up to 360mA at a maximum of 50V according to the TIA Association.

BLISTER PACKAGING SIZE



ORDER CODE

- DMXTENDER-RJ45

Distributor:



CPOINT™
www.cpoint-lighting.com

Techni-Lux
www.techni-lux.com

Phone: 407-857-8770
 Fax: 407-857-8771
 Email: sales@techni-lux.com