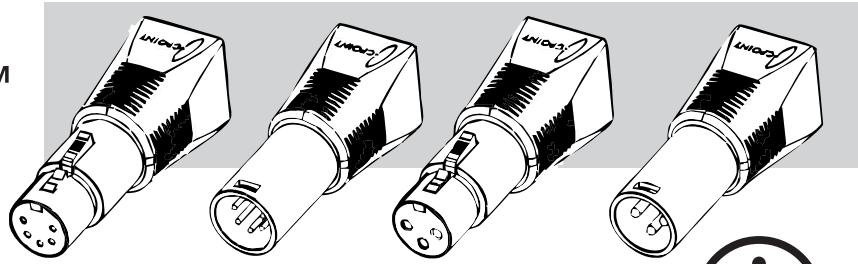


# CPOINT XLRJ45 FACT SHEET



## XLR TO RJ45 ADAPTER

### FEATURES

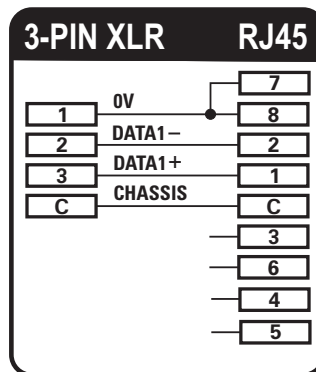
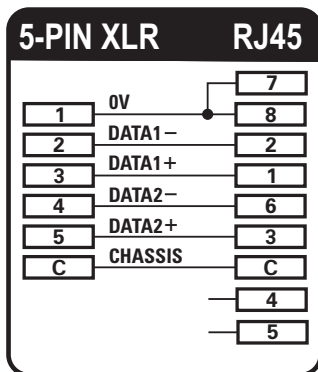
XLRJ45 is an adapter to convert a CAT-5 ethernet cable of any length into a DMX512 cable.



*Just two clicks...*

- Use of ordinary CAT-5 ethernet cable to make a DMX512 cable.
- Plug directly into any 3 or 5-pin XLR DMX512-controlled equipment.
- Four XLRJ45 versions available, male or female 3-pin or 5-pin XLR to RJ45.
- Combine different adapters as needed.
- Very robust, rugged molded housing with non-slip grip.
- Gold plated pins on connectors.
- Sturdy shell style packaging.
- Weight including packaging, 75gram/2.7oz
- Easy to use.
- Low cost.

### CONNECTION DIAGRAM



### ORDER CODES

- 3-pin XLR Female, order code XLRJ45-3F
- 3-pin XLR Male, order code XLRJ45-3M
- 5-pin XLR Female, order code XLRJ45-5F
- 5-pin XLR Male, order code XLRJ45-5M

