

# SEETRONIC

## Product Data Sheet

**Product Type** Speaker Connector

**Product Model** SL4FX-N

**Customer Name** \_\_\_\_\_

Manufacturer	Prepared	Checked	Approved

Customer	Received	Checked	Confirmed

Distributor:



Phone: 407-857-8770

Fax: 407-857-8771

Email: [sales@techni-lux.com](mailto:sales@techni-lux.com)

[www.techni-lux.com](http://www.techni-lux.com)

Above specifications and information may have tolerances and have been updated.  
Every effort has been made to ensure correctness upon release of this data sheet.

All Rights Reserved 2023



[sales@seetronic.com](mailto:sales@seetronic.com)  
[www.seetronic.com](http://www.seetronic.com)

## Product Data Sheet

<b>Product Type</b>	<b>Speaker Connector</b>	
<b>Product Model</b>	<b>SL4FX-N</b>	
<b>Product Features</b>		
<ul style="list-style-type: none"><li>➤ 4 pole loudspeaker plug</li><li>➤ Current rating 40 A rms continuous</li><li>➤ Only 3 parts, easy to assemble plastic housing</li><li>➤ Strain relief chuck for cable 7-14.5mm O.D.</li><li>➤ High impact materials - long-lasting and reliable</li><li>➤ Improved grip on latch for easy operation</li></ul>		

## Product Data Sheet

### Product Parameters

Item	Specification
Connection type	Speaker
Gender	Female

### Electrical Parameters

Item	Specification
Number of contacts	4
Rated current	40A rms
Rated voltage	250 V
Contact resistance	$\leq 5 \text{ m}\Omega$
Dielectric strength	2.8 KV AC
Insulation resistance	$> 1000 \text{ M}\Omega$
Attention	Cannot be used as an AC source or power connector!

## Product Data Sheet

### Mechanical Parameters

Item	Specification
Service life	> 1000 mating cycles
Power cable diameter	2.5 mm <sup>2</sup> (7mm -14.5mm)

### Material and Environmental Parameters

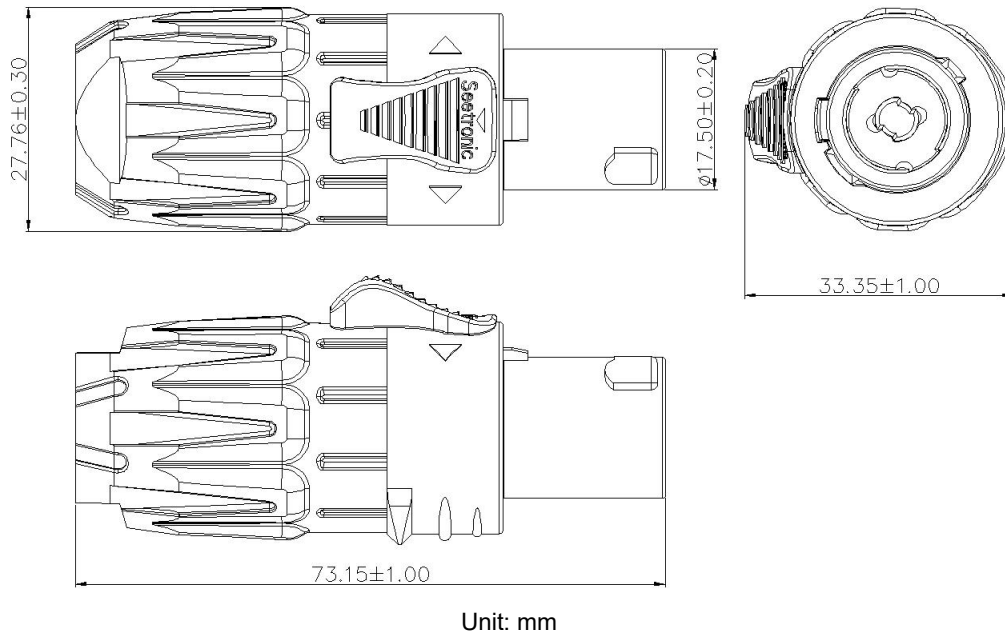
Item	Specification
Housing	PA66
Contacts	Cu alloy
Contact plating	Ag
Inner core	PA
Thread clamp set	POM
Flame-retardant grade	UL 94-V0
Temperature range	-30°C ~ +80°C

### Standards and Certifications

Standards	IEC 61984
-----------	-----------

## Product Data Sheet

### Product Drawing



### Packaging Method

PE bag packing, 1 pc per bag

50 pcs per inner carton, 5 inner cartons per master carton (250 pcs per master carton)

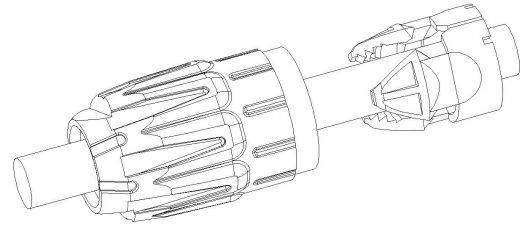
### Accessory

- |  |  |
|--|--|
| <input checked="" type="checkbox"/> No accessories | <input type="checkbox"/> Back fastener plate |
| <input type="checkbox"/> Screws and Nuts           | <input type="checkbox"/> Other               |

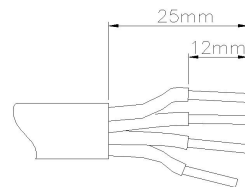
## Product Data Sheet

### Assembly Instructions

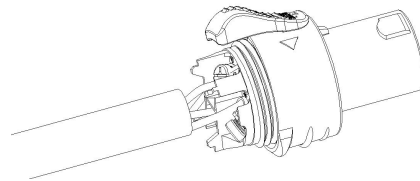
- (1) Put the cable through the boot sleeve and clamp



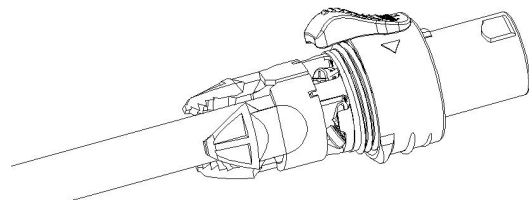
- (2) Strip the cable in the size as shown.



- (3) Insert the conductor of the cable into the terminal of the inner core and then lock with a torque of 0.7 Nm



- (4) Slide the clamp and snap onto the assembled inner core



- (5) Finally, screw the boot into the housing and tighten in a clockwise direction.

