

SEETRONIC

Product Data Sheet

Product Type Speaker Connector

Product Model SL4MP(01)

Customer Name _____

Manufacturer	Prepared	Checked	Approved

Customer	Received	Checked	Confirmed

Distributor:



Phone: 407-857-8770


Fax: 407-857-8771

Email: sales@techni-lux.com

www.techni-lux.com



Product Data Sheet

Product Type	Speaker Connector	
Product Model	SL4MP(01)	

Product Features

- 4 pole socket speaker connector, black D-size plastic flange
- Current rating up to 30 A rms
- Extremely robust and easy to terminate
- D-type panel cut-out for easy mounting on standard panels

Product Data Sheet

Product Parameters

Item	Specification
Connection Type	Speaker
Gender	Male

Electrical Parameters

Item	Specification
Number of Contacts	4
Rated Current	30A rms
Rated Voltage	250V AC
Contact Resistance	$\leq 3 \text{ m}\Omega$
Dielectric Strength	4KV DC
Insulation Resistance	$> 1 \text{ G}\Omega$

Product Data Sheet

Mechanical Parameters

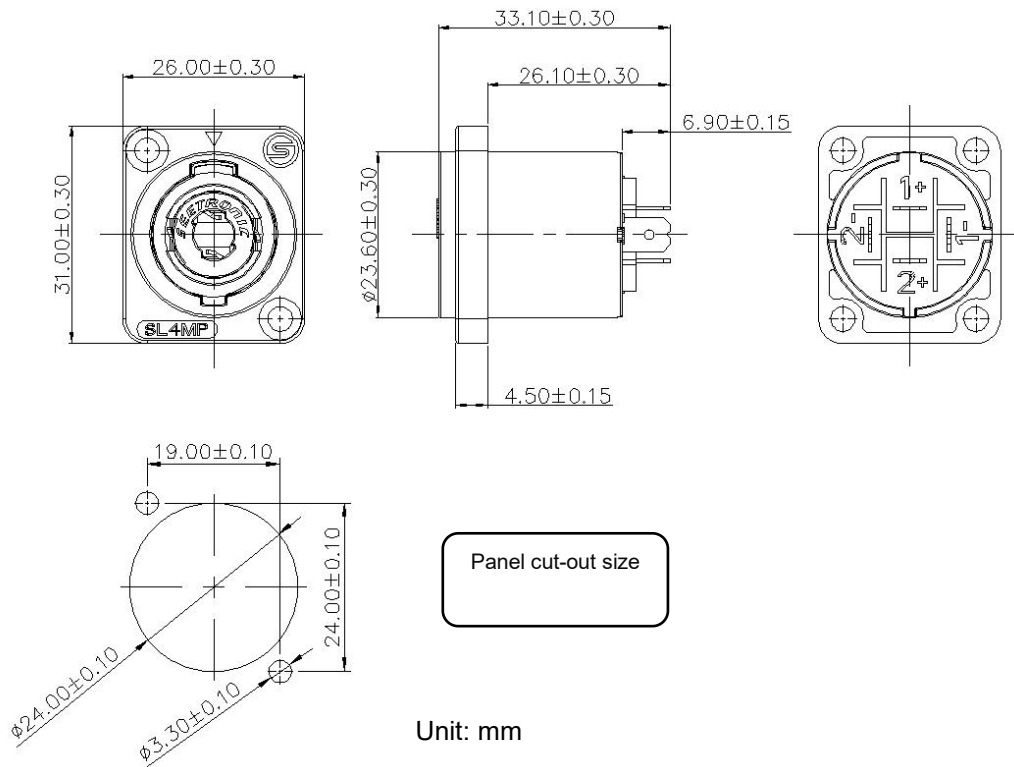
Item	Specification
Service Life	> 1000 mating cycles

Material and Environmental Parameters

Item	Specification
Housing	PA
Contacts	Cu alloy
Contact plating	Ag
Flame-retardant grade	UL 94-V0
Temperature range	-30°C ~ +80°C

Product Data Sheet

Product Drawing



Packaging Method

Blister box packaging

20 pcs per blister box, 100 pcs per inner carton, 5 inner cartons per master carton (500 pcs per master carton)

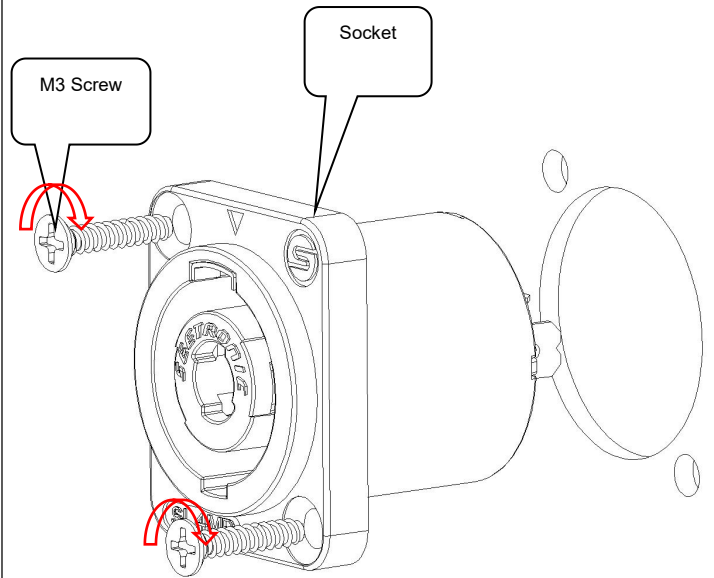
Accessory

- | | |
|--|--|
| <input checked="" type="checkbox"/> No accessories | <input type="checkbox"/> Back fastener plate |
| <input type="checkbox"/> Screws and Nuts | <input type="checkbox"/> Other |

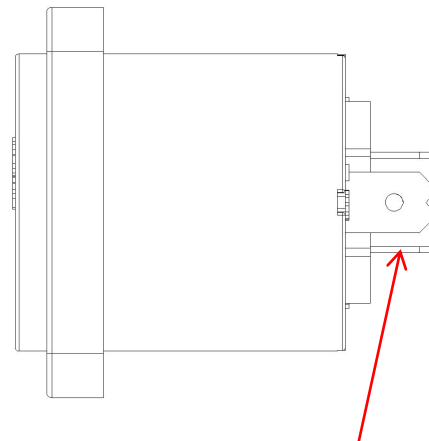
Product Data Sheet

Assembly Instructions

Install on the front of the panel. Tighten the screws with 0.5 Nm torque in clockwise direction.



Type of Terminals



Soldering / plugging 4.8x0.5 terminals