



NL4FXX-W-S

4 pole speakON cable connector, screw terminal assembly, chuck type strain relief for cable diameters 6 to 12 mm

speakON connectors are the industry-standard for loudspeaker connections. This product series offers extremely reliable and robust cable connectors with a proven twist lock system. speakON cable connectors feature solid contacts with screw-type terminals including a stranded wire protection



Distributor:


Techni-Lux
www.techni-lux.com

Phone: 407-857-8770
Fax: 407-857-8771
Email: sales@techni-lux.com

Features & Benefits

- Up to 37 A rms current rating
- Unique Neutrik locking bushing and strain relief for cable diameters 6 mm to 12 mm
- IEC 61984 certified, thus accepted as a component of equipment acc. to IEC 62368-1
- Superior NEUTRIK quality standard, extremely robust and reliable
- Easy to assemble because the strain relief locks with the insert mechanically and aligns with the housing
- Easy and reliable twist lock system
- Ergonomic design with slip-proof two-component molded housing
- Improved kink protection by two-component bushing

Assembly instruction video for speakON FXX

Technical Information

Product	
Title	NL4FXX-W-S
Connector series	speakON 4 pole

Electrical	
Contact resistance	≤ 2 mΩ
Dielectric strength	2.8 kVac
Insulation resistance	> 10 GΩ (initially)
Number of electrical contacts	4
Rating Europe	IEC 61984: 37 A 250 V AC
Rating USA	UL1977: 35 A 250 V AC
Rating Canada	CSA C22.2 No.182.3: 24 A 250 V AC
ATTENTION:	This product is strictly not intended for use as an AC mains or power supply connector! CAUTION: NOT FOR INTERRUPTING CURRENT

Mechanical	
Cable O.D.	6 – 12 mm
Lifetime	typically 5'000 mating cycles
Wiresize (mm ²)	1.5 – 4 mm ²
Wiresize (AWG)	17 – 11 AWG
Locking device	Twist lock
Termination	screw type terminals

Material	
Contact plating	Ag
Contacts	Copper Alloy
Insert	Polyamide (PA6.6)
Locking element	Zinc diecast
Shell	Polyamide (PA6) / TPE
Strain relief	Polyketone
Bushing	Polypropylene / TPE

Environmental	
Temperature range	-33 °C to +80 °C
Protection class	IP20
Flammability acc. to UL94	V-0



ASSEMBLY INSTRUCTION

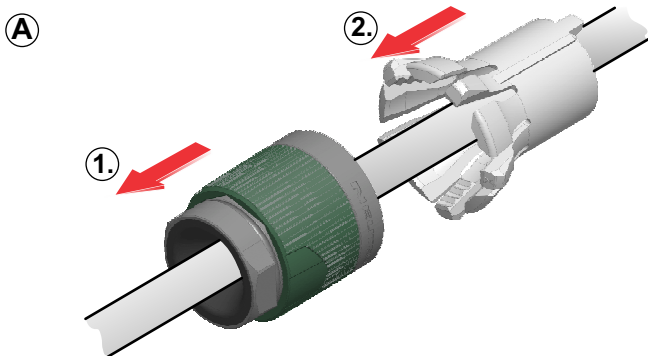
speakON® | Loudspeaker Cable Connector NL2FXX-W-* & NL4FXX-W-*

A IMPORTANT SAFETY INFORMATION

- ! **ATTENTION:** speakON® IS NOT TO BE USED AS AN AC/DC MAINS OR POWER SUPPLY CONNECTOR!
- CAUTION:** CONNECTOR NOT TO BE ENGAGED AND DISENGAGED IN NORMAL USED WHEN LIVE OR UNDER LOAD.
- ATTENTION:** NE PAS UTILISER POUR COUPER LE COURANT
- TO BE INSTALLED BY QUALIFIED PERSON ONLY.**

Approval based:	EN/IEC EN 61984 IEC 61984		UL / CSA UL 1977 CAN/CSA C22.2 No.182.3	
Rating:	250 V ac / 30 A		250 V ac / 30 A	
Wire size:	1.0 - 4.0 mm ²		16 - 11 AWG	
Cable O.D.:	*-S: 6.0 - 12.0 mm (0.24 - 0.47") *-L: 10.0 - 16.0 mm (0.39 - 0.63")		6.0 - 12.0 mm (0.24 - 0.47") 10.0 - 16.0 mm (0.39 - 0.63")	

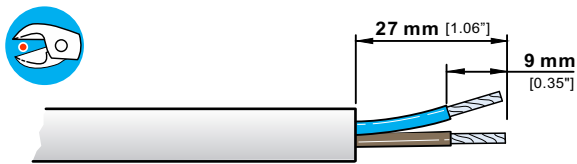
B ASSEMBLY INFORMATION



A Place the bushing (1) and chuck (2) over the cable.

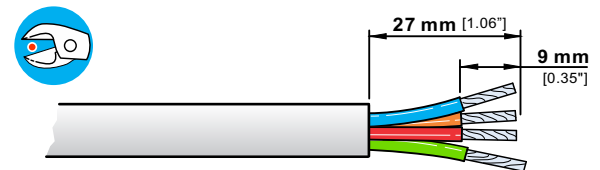
Important: Chuck and Bushing cannot be placed over the cable after the assembly or the insert.

B **CABLE PREPARATION: 2 POLE**



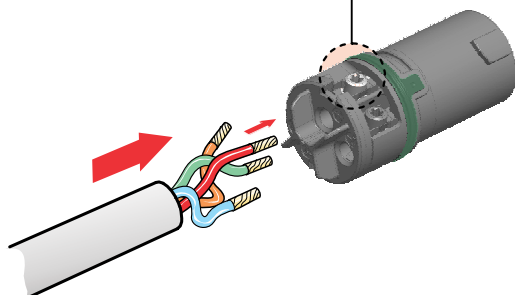
B Prepare the cable as shown.

CABLE PREPARATION: 4 POLE



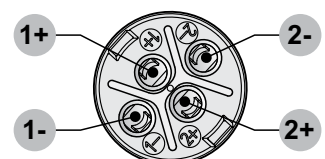
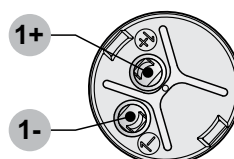
C Slide the cable into the contacts and clamp

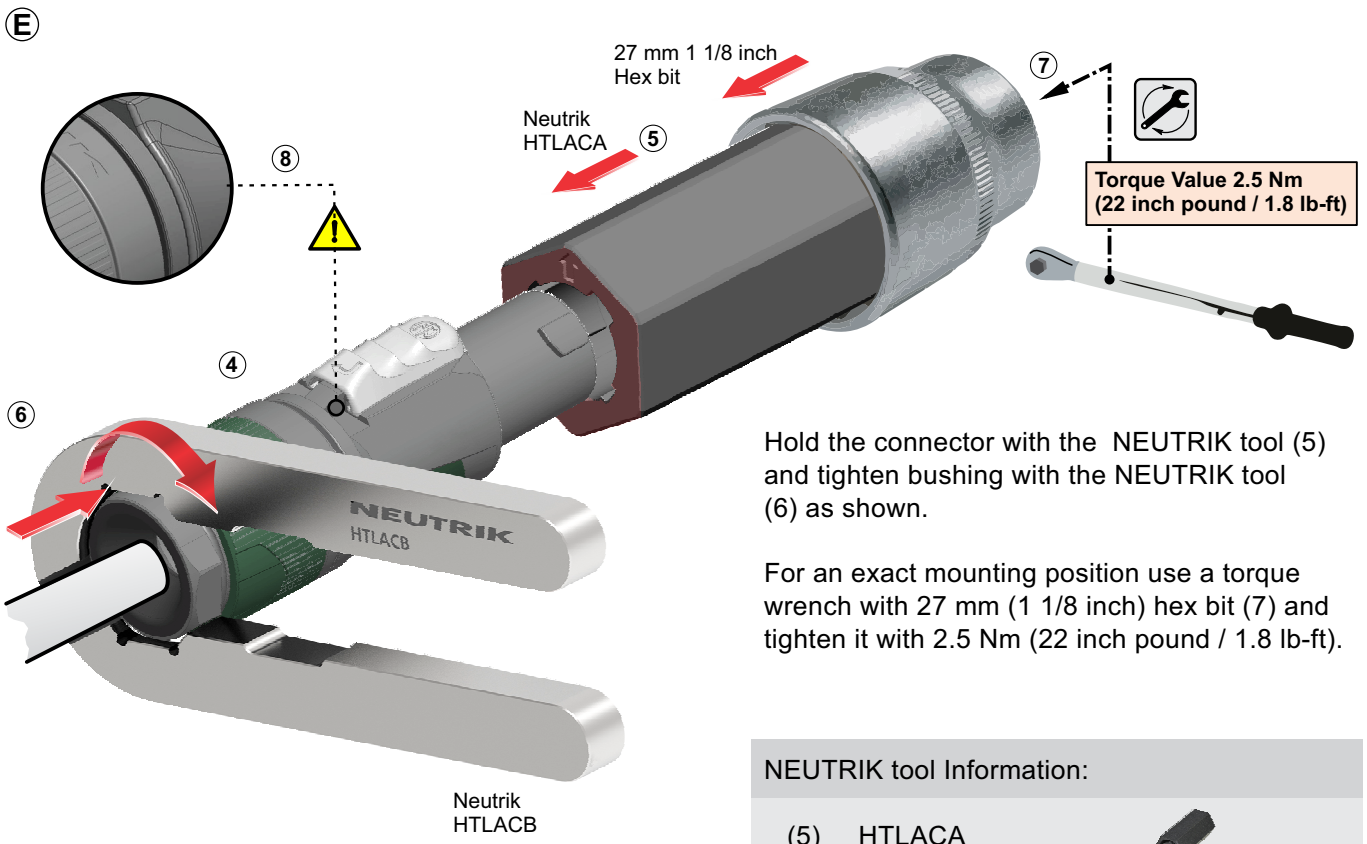
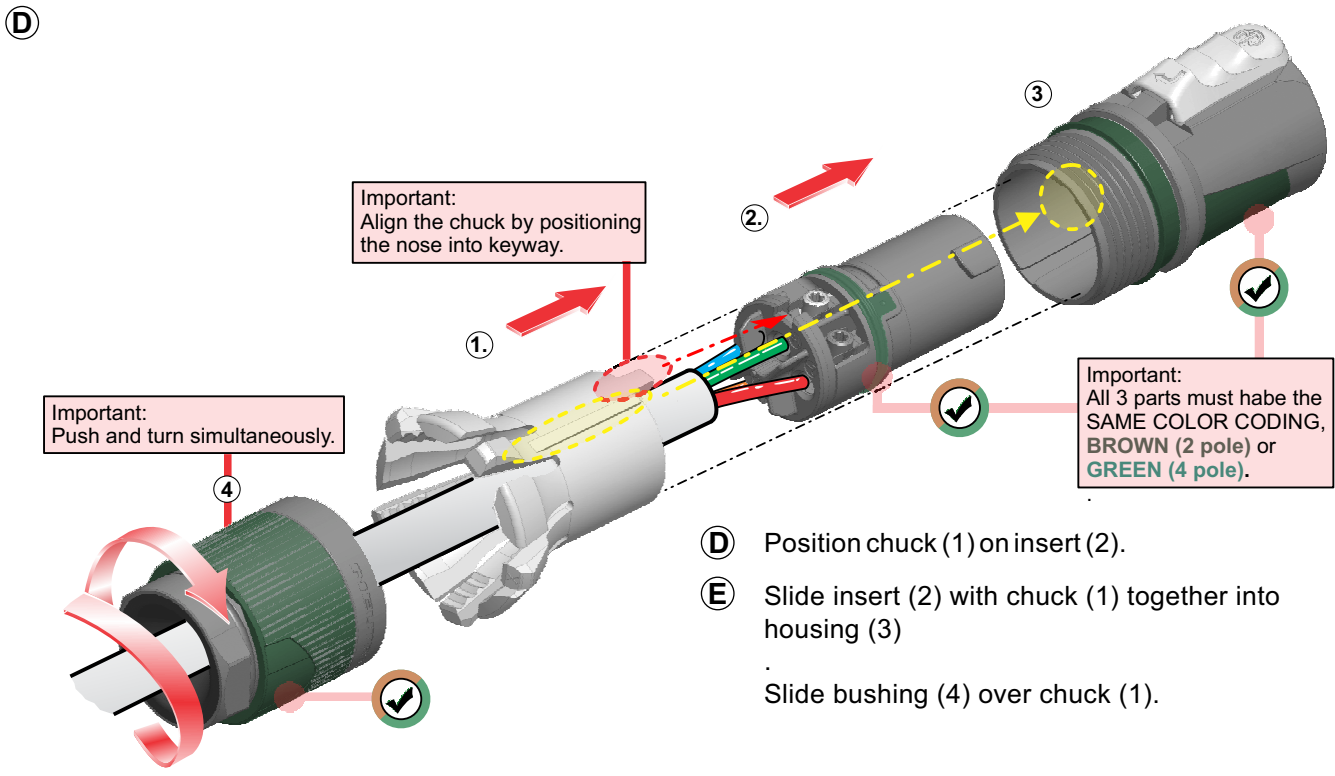
Torx size T8
Torque Value 0.7 Nm (6.2 inch pound)



WIRING: 2 POLE

WIRING: 4 POLE



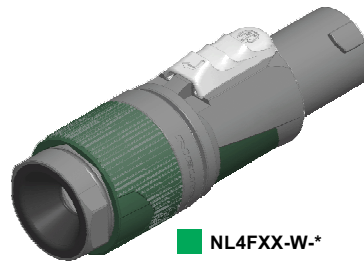
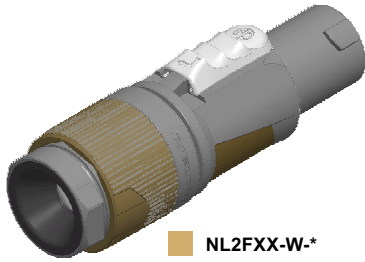


NEUTRIK tool Information:

(5)	HTLACA	
(6)	HTLACB	



C FINISHED CONNECTOR



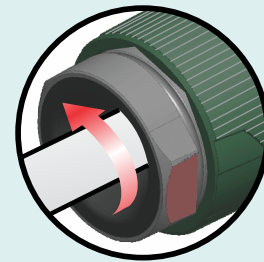
D DISASSEMBLY INFORMATION

FOR DISASSEMBLY!

1. Use the Neutrik tool HTLACB.
2. Position the tool on the surfaces and open the clamping sleeve.



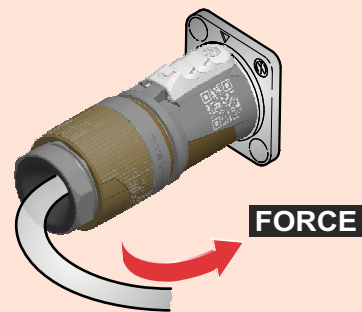
HTLACB



E SAFETY INFORMATION

CAUTION

To ensure protection category, do not expose the connection to bending forces (e.g. do not attach loads to the cable, no free-dangling cable windings etc.).



SAFETYWARNING

For safety and certification reasons the connector must be replaced in case of any broken parts or excessive wear and tear.



F More Information on the www.neutrik.com

<https://www.neutrik.com/products/audio/speakon>



Draft. Nr.: BDA 638 V4
Update: 2023-07-19

Neutrik AG | LI-9494 Schaan
www.neutrik.com

Data subject to change without prior notice. © 2023 NEUTRIK®. NEUTRIK® / speakON® are registered trademark of Neutrik AG. ALL RIGHTS RESERVED.