

CX-2

6 Channels DMX Console

【User Manual】



Lite-Puter Enterprise Co., Ltd

Website : www.liteputer.com.tw

E-mail : sales@liteputer.com.tw

INDEX

Chapter 1 CX-2 Introduction

1-1	Features	-----	2
1-2	Specifications	-----	2
1-3	Dimensions	-----	2
1-4	Operation Panel Introductions	-----	3
1-5	Rear Panel Introductions	-----	3

Chapter 2 Operating

2-1	Setting Scene	-----	4
2-2	Recalling Scene	-----	5
2-3	Chase	-----	6

Chapter 1 CX-2 Introduction

1-1 Features

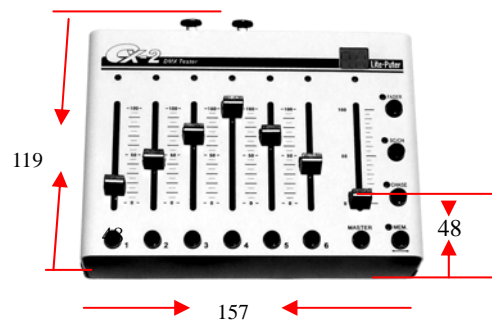
- Standard DMX-512 signal.
- 6 dimming control channels.
- 6 scenes.
- Chaser function:
 1. Channel chase
 2. Scene chase
 3. Speeding control
 4. Direction control
 5. FLASH

1-2 Specifications

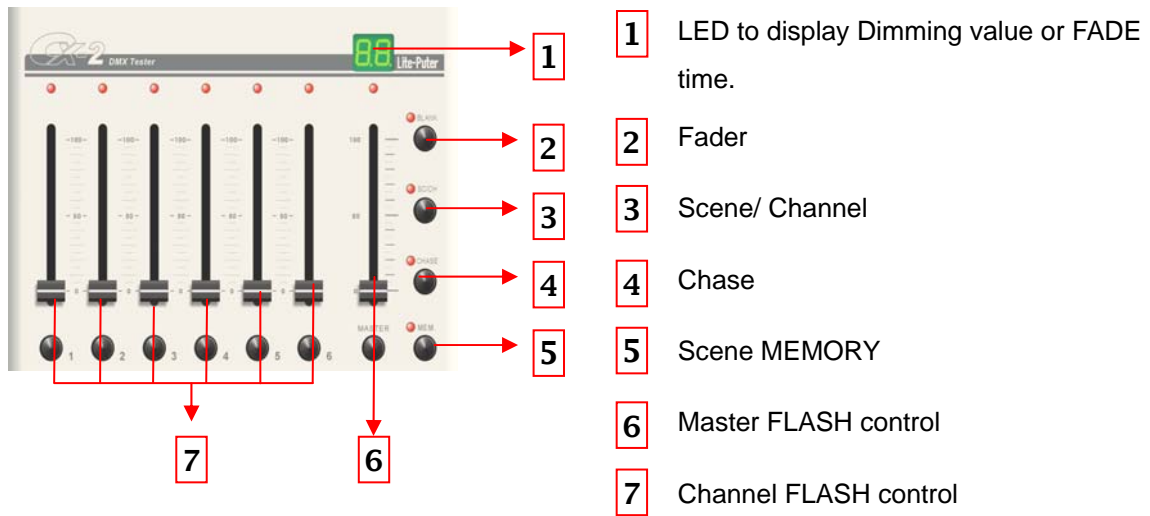
- Power Supply: DC 12V/1A
- DMX signal output: DMX-512/1990
- DMX output channels: 512 channels
- DMX signal connector: 6P6C PHONE JACK(RJ11)
XLR 5-PIN
- Dimensions : 157(W) X 48(H) X 119(D)mm
- Weight : 665g

1-3 Dimensions

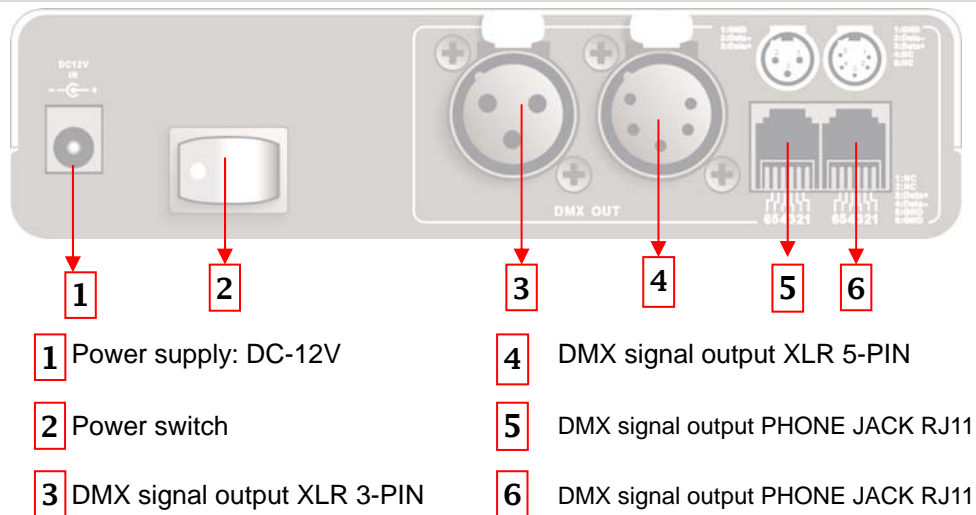
157(W) X 48(H) X 119(D) mm



1-4 Operation Panel Introductions



1-5 Rear Panel Introductions



Chapter 2 Operation

2-1 Setting scene

EX: In **【CH】** mode, setting each channel dimming value and then press **【MEM】 + 【1~6】** to save the **SCENE**.

STEP-1 : Press **【SC / CH】** to select the CH mode.
LED OFF: In **CH** mode
LED ON: In **SC** mode

STEP-2 : Raise the **【MASTER-VR】** to the top. (100%)

STEP-3 : Raise and lower the **【VR-1 ... VR-6】** to change the dimming level.

STEP-4 : Press **【MEM】** and **【1...6】** to save the dimming level.
EX: When we want to set the SCENE of channel 1, just press **【MEM】+【1】** ,
at the same time and the scene will be saved.

- 1.) Raise the MASTER-VR to 100% and raise VR-1...VR-6 to 50%,
the SCENE output dimming level will be 50%.
- 2.) Raise the MASTER-VR to 50%, and the VR-1...VR-6 to 50%,
the SCENE output dimming value will be 25%.

2-2 Recalling Scene

Refer to 2-1 to set up the dimming level of SC-1...SC-6, use the following two ways to recall the scene.

A: By VR control

STEP-1 Press **【SC / CH】** key to select **【SC】** mode. (LED "ON")

STEP-2 Press **【VR-1...VR-6】**

Ex: Recall SC2 → Raise and lower the **【VR-2】** to recall scene 2.

B: By FLASH

STEP-1 Press **【SC / CH】** to select **【SC】** mode. (LED "ON")

STEP-2 Press **【1...6】**

Ex: Recall SC2 → Press **【2】** and scene 2 will output 100%. If release **【2】** , the scene 2 will be turned off.

2-3 Chase

2 modes of chase setting :

- 1) In **【CH】** mode : Chase by CH mode
- 2) In **【SC】** mode : Chase by SC mode

【CH】 mode

STEP-1 Press **【SC/CH】** to select CH mode. (LED "OFF")

STEP-2 Press **【CHASE】** to output signal.

STEP-3 2 mode of chase

LED● means ON LED○ means OFF

1. Press **【CHASE】** and **【FADER】 OFF (LED "OFF")**, the chase as below:

CH	1	2	3	4	5	6
STEP1	●	○	○	○	○	○
STEP2	○	●	○	○	○	○
STEP3	○	○	●	○	○	○
STEP4	○	○	○	●	○	○
STEP5	○	○	○	○	●	○
STEP6	○	○	○	○	○	●

Repeat

2. Press **【CHASE】** and **【FADER】 ON (LED "ON")**, the chase as below:

CH	1	2	3	4	5	6
STEP1	●	●	○	○	○	○
STEP2	○	●	●	○	○	○
STEP3	○	○	●	●	○	○
STEP4	○	○	○	●	●	○
STEP5	○	○	○	○	●	●
STEP6	●	○	○	○	○	●

Repeat

STEP-4 Adjust chase speed→ Press **【FADER】 + 【1】** or **【FADER】 + 【2】** to adjust the FADER time.

STEP-5 Press **【MEM】** to change the chase direction.

【SC】 mode

STEP-1 Press **【SC/CH】** to select SC mode. (LED "ON")

STEP-2 Press **【CHASE】**

STEP-3 Raise **【VR-1...VR-6】**

Raise **【VR-1...VR-3】** to execute **SC-1...SC-3** chase.
 Raise **【VR-4...VR-6】** to execute **SC-4...SC-6** chase.
 Raise **【VR-1...VR-6】** to execute **SC-1...SC-6** chase.

The dimming level control by MASTER-VR for above chase setting

STEP-4 2 chase modes (same as channel chase mode)

LED● means ON LED○ means OFF

1. Press **【CHASE】** and **【FADER】 OFF (LED "OFF")**, the chase as below:

CH	1	2	3	4	5	6
STEP1	●	○	○	○	○	○
STEP2	○	●	○	○	○	○
STEP3	○	○	●	○	○	○
STEP4	○	○	○	●	○	○
STEP5	○	○	○	○	●	○
STEP6	○	○	○	○	○	●

Repeat

2. Press **【CHASE】** and **【FADER】 ON (LED "ON")**, the chase as below:

CH	1	2	3	4	5	6
STEP1	●	●	○	○	○	○
STEP2	○	●	●	○	○	○
STEP3	○	○	●	●	○	○
STEP4	○	○	○	●	●	○
STEP5	○	○	○	○	●	●
STEP6	●	○	○	○	○	●

Repeat

STEP-5 Adjust chase speed→ Press **【FADER】 + 【1】** or **【FADER】 + 【2】** to adjust the FADER time.

STEP-6 Press **【MEM】** to change the chase direction.

FADE time description:

0.1 means fader time is 0.1 second

01 means fader time is 1 second.

Notes: the maximum FADE time is 99 seconds.