

CX-403

4 Channel DMX Console

【User manual】



Lite-Puter Enterprise Co., Ltd.

website : www.liteputer.com.tw

E-mail: sales@liteputer.com.tw

Chapter 1. CX-403 Instruction

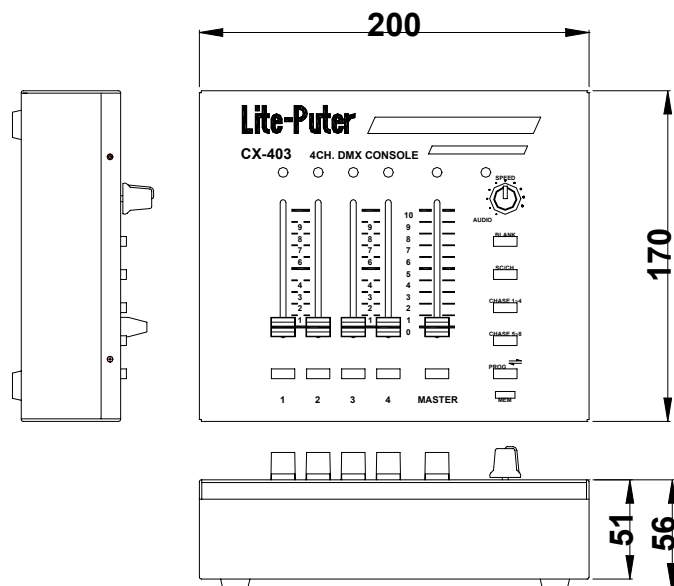
1-1 Feature



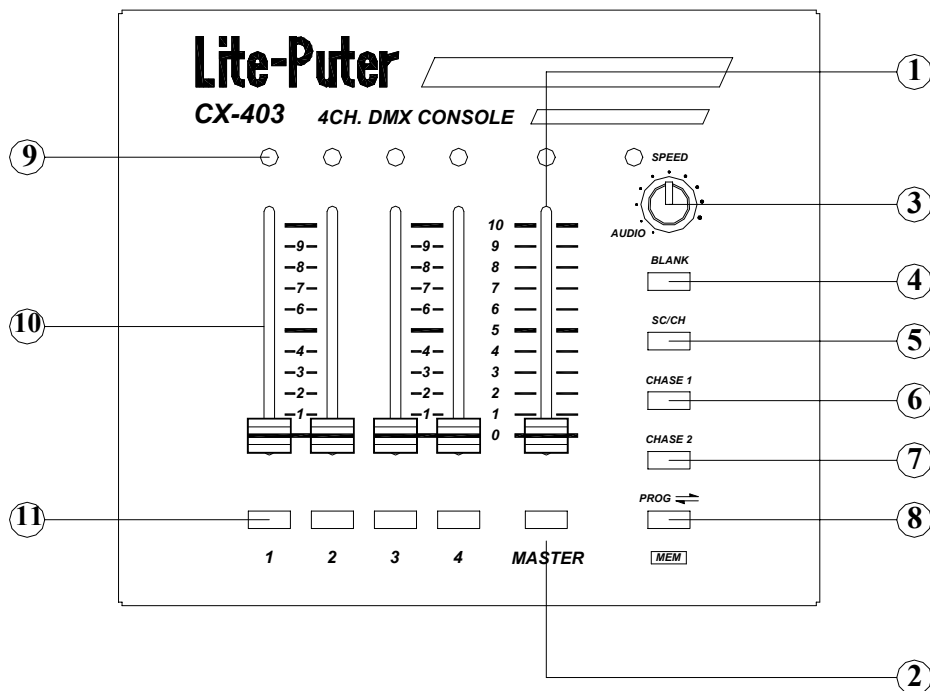
- Standard DMX 512 signal control
- 4 dimming control channel
- 4 control scene setting
- Chaser function:
 - 1.Channel chase
 - 2.Scene chase
 - 3.Speeding control
 - 4.Chase Function
- Flash
- Audio input

1-2 Specification

- | | |
|-------------------|--|
| ■ Power supply | DC 12V/ 1A |
| ■ Control signal | DMX512 / 1990 |
| ■ Control channel | 4 channel |
| ■ Connector | XLR 3-pin(x1), XLR 5-pin(x1),phone jack RJ11(x2) |
| ■ Audio input | Max. input : -10 db 100mV |
| ■ Weight | 1.1 Kg |
| ■ Dimension | unit : mm |

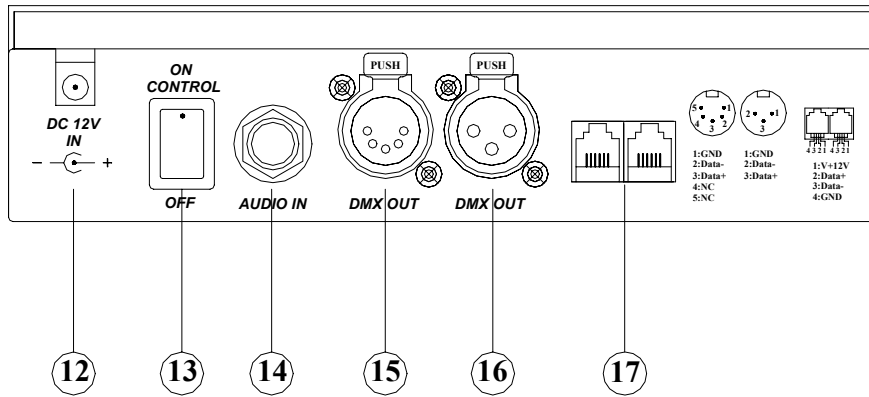


1-3 CX-403 Function



1	MASTER-VR	Master dimming control
2	MASTER	Master Flash control
3	SPEED/ AUDIO	Audio / speed chase control
4	BLANK	Pause
5	SC/CH	Scene / Channel control
6	CHASE 1	Chase 1
7	CHASE 2	Chase 2
8	PROG	Scene/ Chase direction control
9	LED	Signal display
10	VR-1...VR-4	<ul style="list-style-type: none"> ■ Setting 1...4 dimming channel ■ Recall 1...4 Scene
11	1 ~ 4	Channel / Scene setting / FLASH

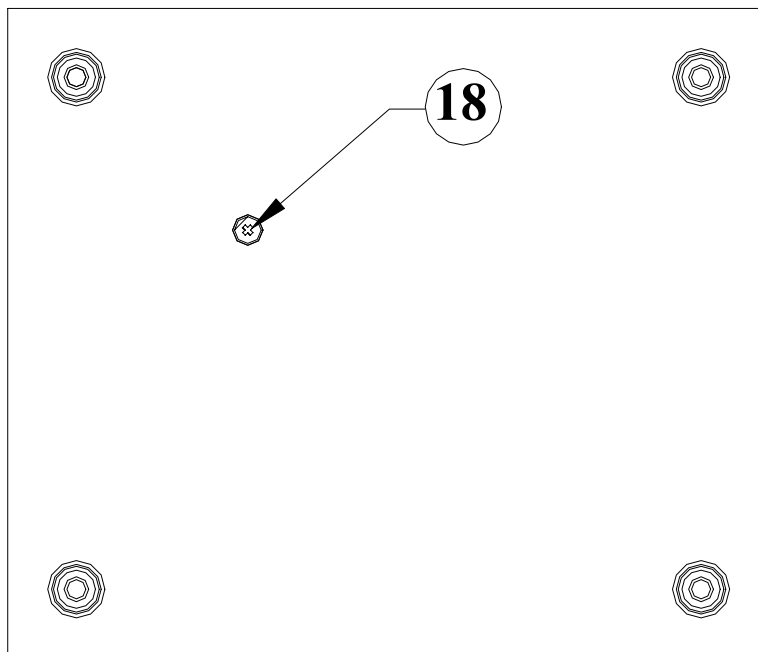
1-4 CX-403 Rear panel



12	Power supply: DC 12V / 1A
13	Power switch
14	Audio input: 100mV
15	DMX connector: XLR 5-PIN
16	DMX connector: XLR 3-PIN
17	DMX connector: PHONE JACK (RJ11)

1-5 CX-403 audio sensitivity control

18	Audio sensitivity control
----	---------------------------



Chapter 2. CX-403 operation

2-1 SCENE setting

Select **【CH】** mode, and move the fader to set the dimming value
press **【PROG】** + **【1~4】** to save control scene.

STEP-1 press **【SC / CH】** to select the control channel

LED : off → in CH mode

LED : on → in SC mode

STEP-2 move **【MASTER-VR】** to the top

STEP-3 move **【VR-1 ... VR-4】** to dimming

STEP-4 press **【PROG】** + **【1...4】** to confirm and save the selection

- 1.) When MASTER-VR in 100%, and the VR-1...VR-4 in 50% of dimming value, the SCENE total output dimming value will be 50%.
- 2.) When MASTER-VR in 50 %, and the VR-1...VR-4 in 50% of dimming value, the SCENE total output dimming value will be 25%.

2-2 Scene recall

Refer to 2-1 to set up the dimming value of SC-1...SC-4, use the following function to recall the scene.

A: 0%...100% VR control

STEP-1 press **【SC / CH】** key to select **【SC】** mode. (LED "on")

STEP-2 press **【VR-1...VR-4】**

Ex : to recall SC-2, adjust the **【VR-2】** , to recall scene 2 by dimming

B: FLASH

STEP-1 press **【SC / CH】** to select **【SC】** mode. (LED "on")

STEP-2 press **【1...4】**

EX : to recall SCENE 2, press **【2】** ,and scene 2 switch to 100% full, and release the key to off the function.

2-3 CHASE

(1) Internal chase setting (SPEED CHASE)

(2) Audio input control (AUDIO)

2-3-1 Internal chase setting (SPEED CHASE)

2 mode of chase setting:

(1) in **[CH]** mode : Chase by CH mode

(2) in **[SC]** mode : Chase by SC mode

[CH] mode

STEP-1 press **[SC/CH]** , to select the channel. (LED "off")

STEP-2 to select the chase. Led : ● on ○ off

1. press **[CHASE 1]** :

CH.	1	2	3	4
STEP 1	●	○	○	○
STEP 2	○	●	○	○
STEP 3	○	○	●	○
STEP 4	○	○	○	●

repeat

2. press **[CHASE 2]** :

CH.	1	2	3	4
STEP 1	●	●	○	○
STEP 2	○	●	●	○
STEP 3	○	○	●	●
STEP 4	●	○	○	●

repeat

3. press **[CHASE 1] + [CHASE 2]** :

CH.	1	2	3	4
STEP 1	●	●	●	○
STEP 2	○	●	●	●
STEP 3	●	○	●	●

repeat

STEP-3 to adjust the speeding of chase, press **[SPEED]** to adjust.

STEP-4 press **[PROG]** to change the chase direction

【SC】 mode

STEP-1 press **【SC/CH】** , to select the SC mode

STEP-2 to select

- press **【CHASE 1】** : to execute the **SC-1...SC-2** chase.
- press **【CHASE 2】** : to execute the **SC-3...SC-4** chase.
- press **【CHASE 1】 + 【CHASE 2】** : to execute the **SC-1...SC-4** chase.

STEP-3 move **【VR-1...VR-4】**

- Select **【CHASE 1】** :
move **【VR-1...VR-2】** , "SC-1...SC-2" to execute "Chase" mode
move **【VR-3...VR-4】** , "SC-3...SC-4" to execute "Dimming" mode
- Select **【CHASE 2】** :
move **【VR-1...VR-2】** , "SC-1...SC-2" to execute "Dimming" mode
move **【VR-3...VR-4】** , "SC-3...SC-4" to execute "Chase" mode
- select **【CHASE 1】 + 【CHASE 2】** :
move **【VR-1...VR-4】** , "SC-1...SC-4" to execute "chase" mode

The dimming value control by MASTER-VR for above chase setting,
(please refer 2-1 / STEP-2)

STEP-4 Chase speeding, select the **【SPEED】** to control

STEP-5 Press **【PROG】** to change the chase direction

2-3-2 AUDIO CHASE

STEP-1 turn **【SPEED】** key to the bottom and feel "click" which appointed to audio.

2-4 BLANK

press **【BLANK】** for pause, and press once again back to the normal mode.