

Gantom One DMX: 4W DMX Pinspot



Compact, powerful, versatile... this is the One. Gantom listened to some of the most skilled lighting professionals in the industry ...and, based on their input, designed the One; the pinspot to rule all pinspots. Compared to a traditional 30W pinspot, the One runs cooler and safer on far less power, has much cleaner optics, and can even be run on batteries. The Gantom One includes an integrated, easy-to-use magnetic accessory mounting system. Choose from an almost infinite array of color filters and diffusers to achieve any effect you desire, then install the perfect option without tools or hassle. Now available in a fully DMX controllable version. The Gantom One DMX is configured using our DMX Programmer app, available free for Apple and Android devices.

FEATURES

- ✓ Exceeds output of traditional 30W pinspots while using only 4W.
- ✓ Ultra narrow beam optics for optimal, long-distance throw
- ✓ Magnetic accessory attachment for filters and diffusers
- ✓ Integrated DMX version available
- ✓ DMX address or standalone state configured via DMX Programmer app
- ✓ Low voltage and minimal heat for improved safety over incandescent sources
- ✓ Exceeds output of traditional 30W pinspots while using only 4.8W
- ✓ Internal, constant-current driver gives highly efficient and consistent output.
- ✓ Minimal maintenance required with over 50,000 hour lamp life.
- ✓ Indoor and outdoor use*.

* Not for outdoor uplighting applications where water can collect on lens

DMX CHANNEL MAP

Channel	Name	Level	Description
Ch 1	Brightness Level	0-255	Dim to bright

SPECIFICATIONS

MAX WATTAGE	4.8W
INPUT VOLTAGE	9-15VDC (12VDC nominal)
CURRENT DRAW	400mA @ 12VDC
POWER SUPPLY	Class 2 transformer or battery
BEAM ANGLE	2.7° (diffusable with included filters)
FIELD ANGLE	4.5° (diffusable with included filters)
INGRESS PROTECTION	IP65
MATERIAL	Anodized aluminum
LED	Warm White and Cool White: Cree XLamp XP-E2 Ultraviolet: LG Innotek UV LED
CERTIFICATION	UL and CE

PART NUMBER

Gantom One DMX - Cool White (6500K) - Go Cable Connector	GT55
Gantom One DMX - Warm White (3000K) - Go Cable Connector	GT56
Gantom One DMX - UV (385nm) - Go Cable Connector	GT57
Gantom One DMX - Cool White (6500K) - Pro Cable Connector	GP255
Gantom One DMX - Warm White (3000K) - Pro Cable Connector	GP256
Gantom One DMX - UV (385nm) - Pro Cable Connector	GP257

Distributor:



Phone: 407-857-8770

Fax: 407-857-8771

Email: sales@techni-lux.com

www.techni-lux.com

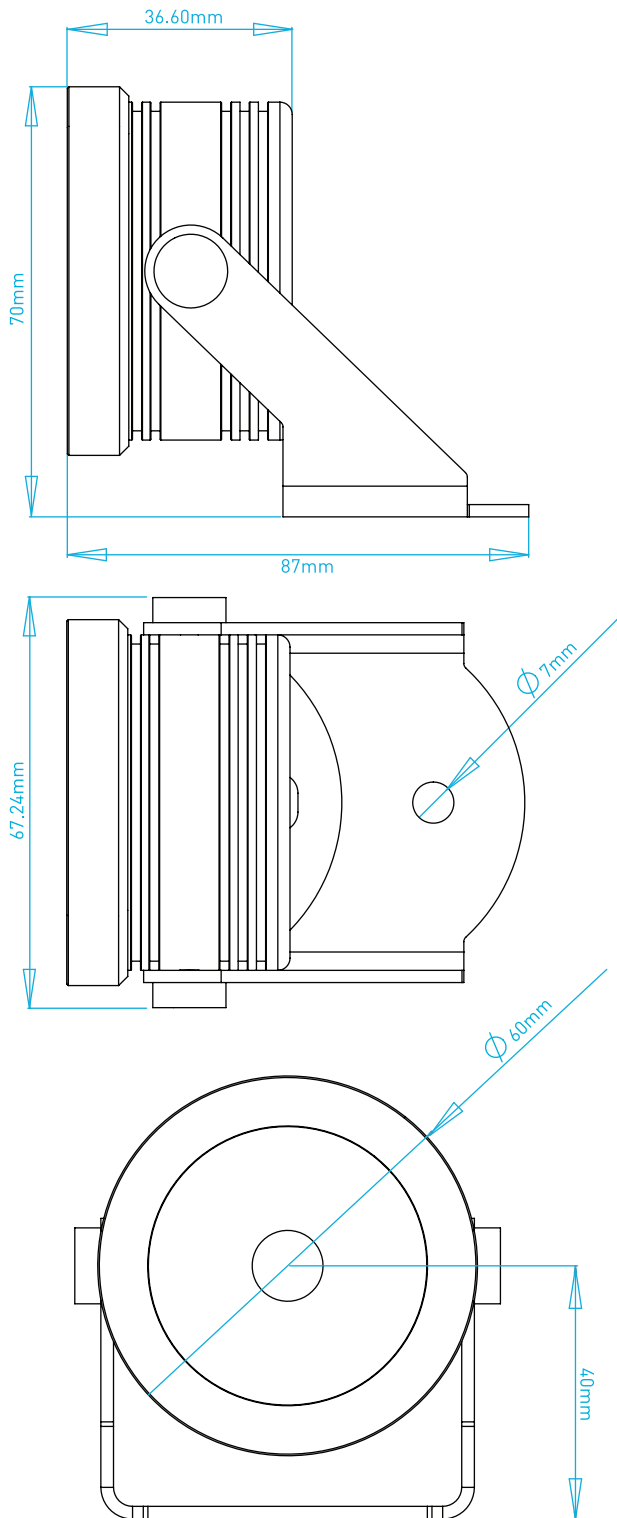
All product information and specifications subject to change.

Address: 28358 Constellation Road Unit 670, Valencia, CA 91355 Phone: 661-347-0779 Fax: 661-793-6985 Email: info@gantom.com

www.gantom.com

OUTPUT

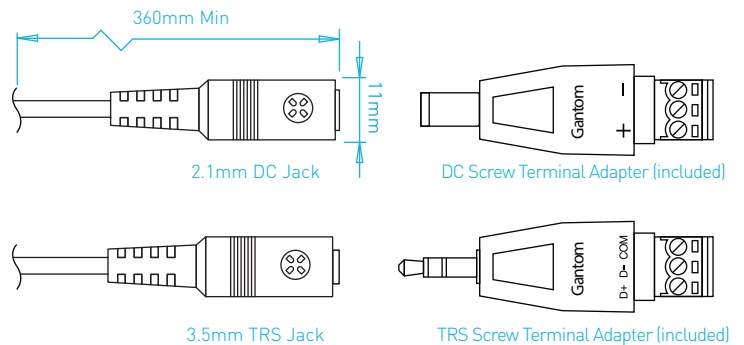
Distance	Center Brightness		Beam Width
	Cool White	Warm White	
1.0m (3.3ft)	22100lx (2053.2fc)	15000lx (1393.5fc)	0.05m (0.2ft)
2.0m (6.6ft)	8100lx (752.5fc)	5500lx (511.0fc)	0.1m (0.3ft)
3.0m (9.8ft)	4100lx (380.9fc)	2700lx (250.8fc)	0.15m (0.5ft)



CONNECTOR OPTIONS

Go Cable Connector - Power and data are on separate connectors: power provided using 2.1mm DC jack and signal provided using 3.5mm TRS jack. Compatible with Go Cable system.

Recommended for temporary and reconfigurable use.



Pro Cable Connector - Power and data integrated in a single cable with 5-pin, sealed, locking connector. For use with our G8 Distribution Box and Pro Cable system.

Recommended for permanent installations.

