

GANTOM iQ: 4W GOBO PROJECTOR



The Gantom iQ is the world's smallest gobo projector with zoom and focus for professional lighting applications. Using LED technology and special optics, the Gantom iQ can render bright and sharp images from a variety of gobo materials including metal, glass, and even film. This fixture opens up a vast new dimension of creative lighting possibilities by allowing images, patterns, and signage to be projected in the most unobtrusive ways that were impossible with traditional gobo projectors.

FEATURES

- ✓ Smallest pattern projector on the market
- ✓ Zoom adjustable using front sliding lens
- ✓ Focus adjustable using rear sliding lens
- ✓ Supports full color user made patterns
- ✓ Cree XP-G LED
- ✓ Internal constant current driver
- ✓ Easy installation and reconfiguration
- ✓ Indoor and outdoor use

SPECIFICATIONS

GOBO SIZE	19mm (0.75in)
MAX WATTAGE	2.8W
INPUT VOLTAGE	9-15VDC (12VDC nominal)
CURRENT DRAW	230mA @ 12VDC
POWER SUPPLY	Class 2 transformer or battery
BEAM ANGLE	25°-40°
INGRESS PROTECTION	IP65 with optics guard
LED	Cree XLamp XP-g
EXTERIOR FINISH	Black anodized aluminum
CERTIFICATIONS	UL and CE
POWER CONNECTION	2.1mm ID / 5.5mm OD DC jack with screw terminal adapter

SKU NUMBER

Gantom iQ - Cool White	GT31
Gantom iQ - Warm White	GT32*

*Product made to order and subject to minimum order quantity

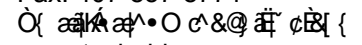
Distributor:



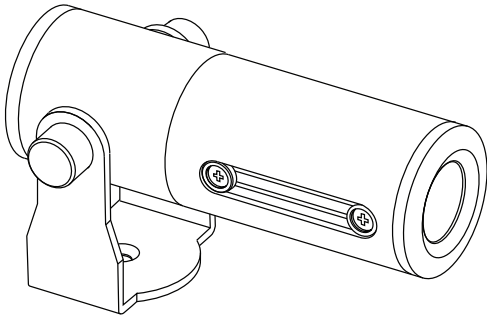
Techni-Lux

Phone: 407-857-8770

Fax: 407-857-8771



www.techni-lux.com

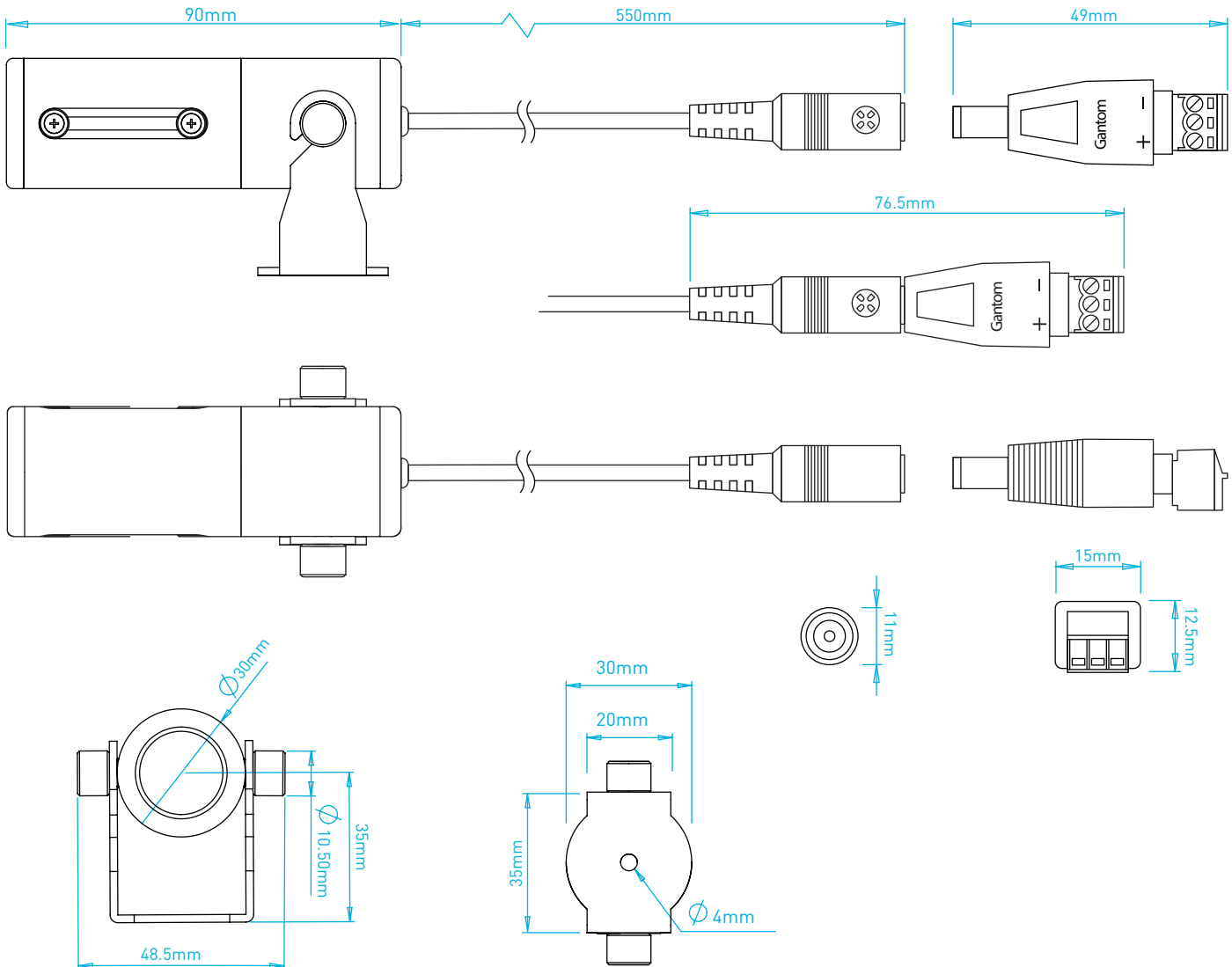


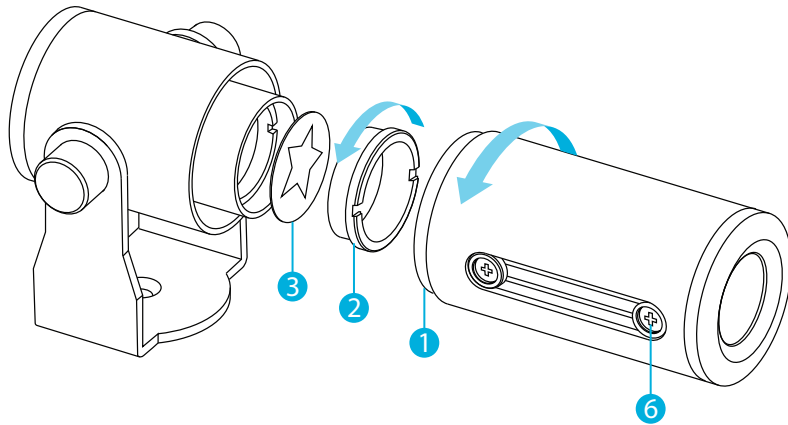
COOL WHITE OUTPUT

Distance	Center Brightness		Beam Width	
	25°	40°	25°	40°
1.0m (3.3ft)	510lx (47.4fc)	368lx (34.2fc)	0.4m (1.3ft)	0.6m (2.0ft)
2.0m (6.6ft)	123lx (11.4fc)	91lx (8.5fc)	0.9m (3.0ft)	1.3m (4.3ft)
3.0m (9.8ft)	53lx (4.9fc)	38lx (3.5fc)	1.3m (4.3ft)	2.2m (7.2ft)

WARM WHITE OUTPUT

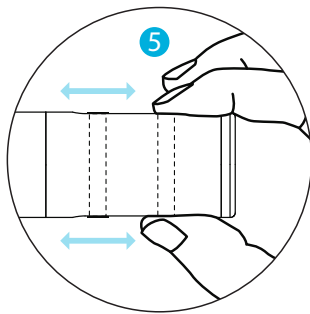
Distance	Center Brightness		Beam Width	
	25°	40°	25°	40°
1.0m (3.3ft)	340lx (31.6fc)	232lx (21.6fc)	0.4m (1.3ft)	0.6m (2.0ft)
2.0m (6.6ft)	82lx (7.6fc)	63lx (5.9fc)	0.9m (3.0ft)	1.3m (4.3ft)
3.0m (9.8ft)	38lx (3.5fc)	27lx (2.5fc)	1.3m (4.3ft)	2.2m (7.2ft)



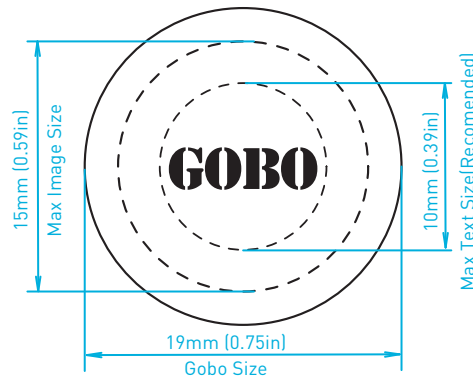


GOBO INSTALLATION

- 1 Unscrew lens assembly
- 2 Unscrew gobo cap
- 3 Insert gobo pattern or filter into gobo holder
- 4 Reassemble



- 5 Zoom/focus with index finger and thumb pinching both sides of lens assembly (place each finger on opposing lens screw) and slide lens back and forth along adjustment rails. Note: lens will not adjust if only pushing on single lens screw, both sides of lens must be pushed back and forth together for adjustment.
- 6 If locking of zoom and focus desired, use screwdriver to tighten lens screw.
- 7 If outdoor application, tape up zoom/focus adjustment rails to prevent water/dust from entering lens assembly, otherwise optics will distort.



FAQ

Q What kind of gobos can you use with the Gantom iQ?

A Any pattern that is cut into a 19mm (0.75in) diameter disk. Traditional gobos such as stainless steel or glass will work for permanent installations. For temporary events, inexpensive full color gobos can be made from 35mm film slides or self printed onto transparency paper.

For full color film gobos visit: www.colorslicide.com. It is important that you know www.colorslicide.com will print your gobo designs but cannot cut them into the correct circular shape. For this we recommend purchasing a 19mm (0.75in) craft punch online or at a craft store. Please note that film slides will fade over time as the film is a photosensitive material. Although this process renders sharp full color images at a low price, these slides are designed for temporary use. Please consider stainless steel or glass for permanent applications.

For stainless steel or glass gobos visit: www.rosco.com.

Q Can I print my own patterns?

A Yes! As long as you are able to create well defined patterns onto a 19mm (0.75in) diameter disk that is less than 2mm (0.08in) thick, it will load easily into the Gantom iQ and can render sharp patterns. You can also use a high resolution inkjet printer to create full colored patterns onto transparency paper. However, due to the resolution of typical printers and the amount of magnification with our optics, the projected pattern will not be as sharp as a professionally made pattern.

Q How long will the Gantom iQ last?

A Because this is an LED product, the Gantom iQ is rated for over 50,000 hours of lifetime. Stainless steel or glass gobos should last indefinitely while 35mm slides will fade over time.

Q Can I run this from a battery for portable applications?

A Yes, this product only uses about 3W of power and can be powered from a 9V or 12V battery for several hours depending on battery capacity.