

**PRECISION ALPHA: 1W PINSPOUT**



The Precision Alpha is an ultra-compact LED pinspot designed for space constrained applications. This point source luminaire gives the user an endless selection of colors and beam angles using theatrical filters. Softer and more natural colors are achievable from filters compared to light emitted from a monochromatic LED.

As with all other Gantom luminaires, the Precision Alpha is industrially designed to last in indoor and outdoor environments. Internal driver circuitry ensures constant output even when input voltages fluctuates and extends the fixture life beyond 50,000 hours.

**FEATURES**

- ✓ Reconfigurable with included color filters and diffusers
- ✓ Perfect for space constrained applications 95% energy savings compared to 20W halogen lamp
- ✓ Low voltage and minimal heat for improved safety over incandescent sources
- ✓ Internal constant current driver gives highly efficient and consistent output
- ✓ Dimmable using PWM input (10%-100%)
- ✓ Easy installation and reconfiguration
- ✓ Dual polarity input
- ✓ Minimal maintenance required with over 50,000 hour lamp life
- ✓ Indoor and outdoor use

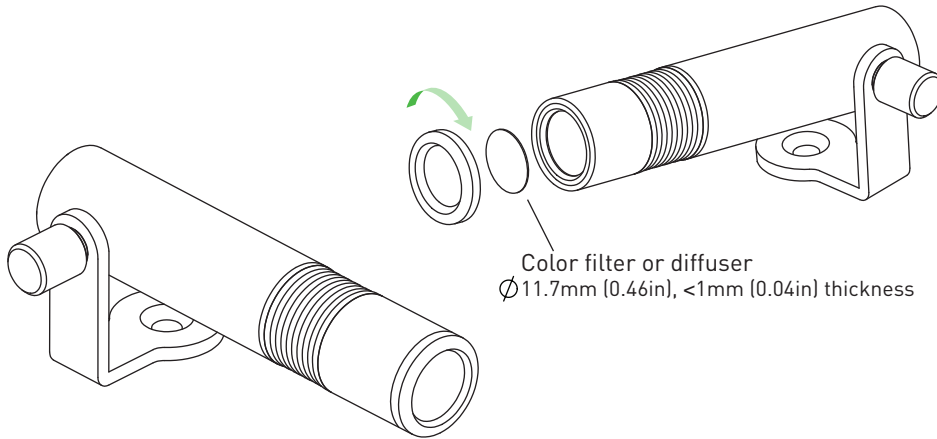


**SPECIFICATIONS**

MAX WATTAGE	1.5W
INPUT VOLTAGE	9-15VDC (12VDC nominal)
CURRENT DRAW	< 125mA @ 12VDC
POWER SUPPLY	Class 2 transformer or battery
BEAM ANGLE	13°
FIELD ANGLE	28°
INGRESS PROTECTION	IP65
LED	Cree XLamp XP-E
EXTERIOR FINISH	Black anodized aluminum
CERTIFICATION	UL and CE
POWER CONNECTION	2.1mm ID / 5.5mm OD DC jack with screw terminal adapter

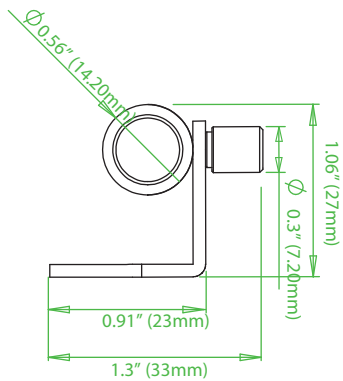
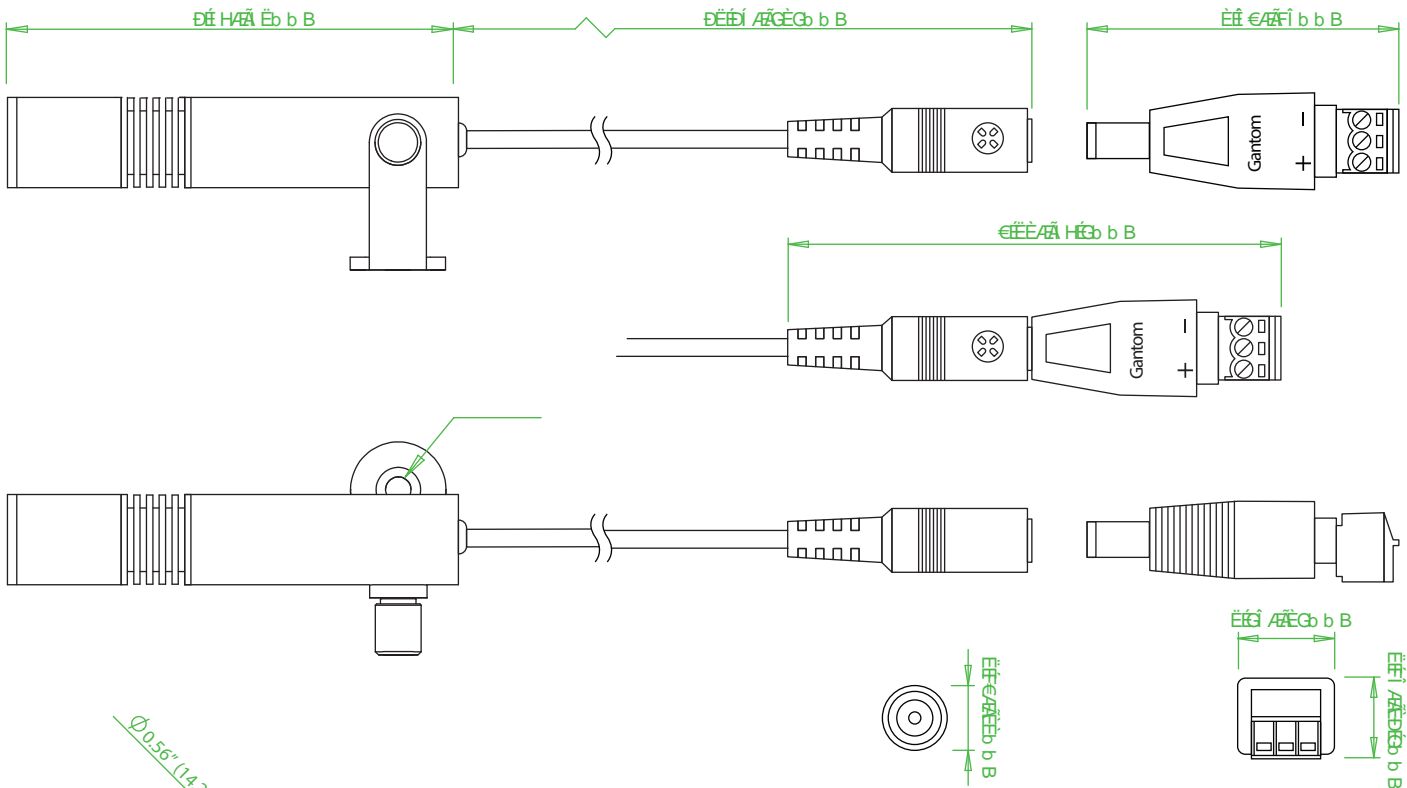
**SKU NUMBER**

Precision Alpha - Cool White	PR31
Precision Alpha - Warm White	PR32



**OUTPUT**

Distance	Center Brightness		Beam Width
	Cool White	Warm White	
1.0m (3.3ft)	843lx (78.3fc)	621lx (48.0fc)	0.2m (0.7ft)
2.0m (6.6ft)	219lx (20.4fc)	160lx (12.3fc)	0.5m (1.6ft)
3.0m (9.8ft)	97lx (9.0fc)	70lx (6.5fc)	0.7m (2.3ft)



**Distributor:**



**Techni-Lux**

Phone: 407-857-8770

Fax: 407-857-8771

www.techni-lux.com