

P-10

RGBW Wash / Strobe / Pixel Light



Description

The SGM P-10 is a unique and extremely powerful all-in-one LED luminaire, ideal for stadiums, arenas, convention centers, high-rise office or hotel buildings, bridges, large format stage shows, sports, or any event that requires an ultra-bright and super-long throw luminaire. It carries the functionalities of a wash light, a strobe light, a flood light, a pixel light, and a direct-view blinder with a non-fading continuous output, making it the perfect multi-purpose LED fixture. It features a narrow native beam angle that can be modified through various optional magnetic and click-on accessory solutions such as holographic filters and barndoors.

Features and benefits

- ✓ 40165 lumen 10° IP65-rated RGBW LED luminaire
- ✓ No color shifts / flicker-free operation
- ✓ CTC linear control from
- ✓ Practically maintenance-free
- ✓ 48 x 24W LEDs with 8 individually controllable segments
- ✓ Best-in-class optical color mixing and dimming performance
- ✓ Different beam angles available via holographic filter frames
- ✓ User friendly display, wireless control, and integrated handle

Certifications & classifications



Distributor:

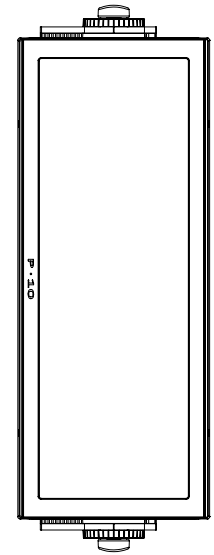
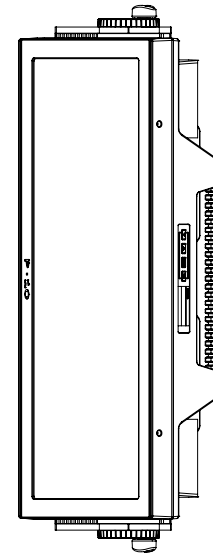
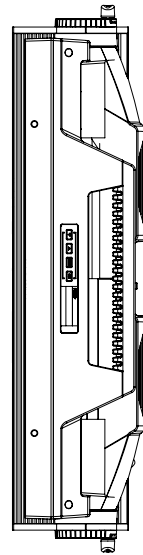
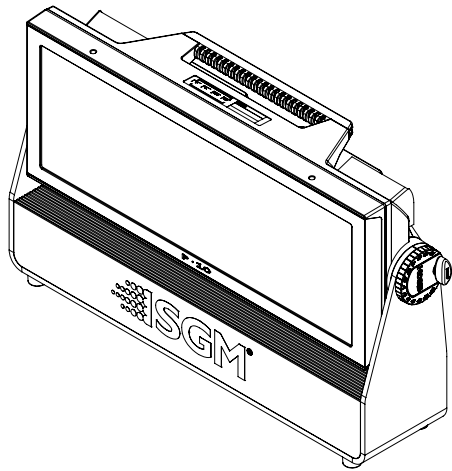
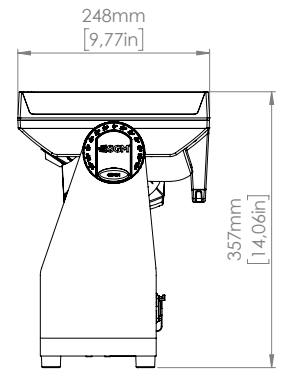
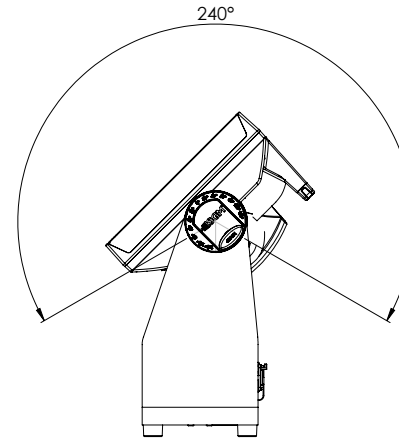
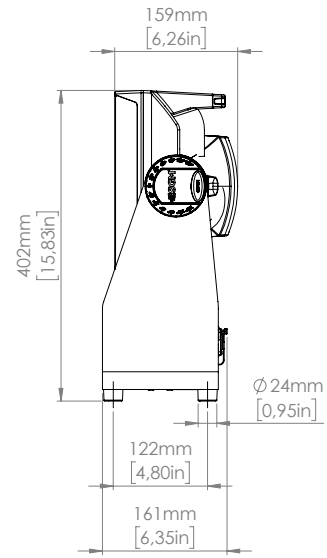
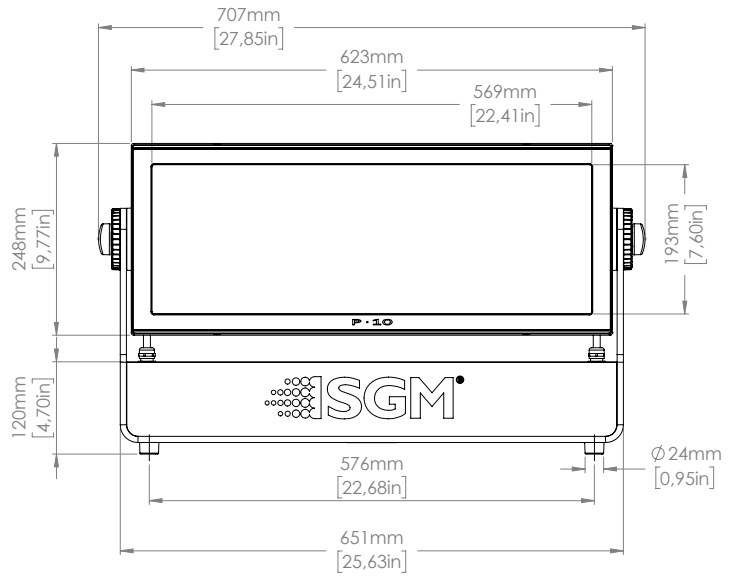


Phone: 407-857-8770

Fax: 407-857-8771

Email: sales@techni-lux.com

www.techni-lux.com



Specification

Optical Data	LED expected lifetime	50,000 hours
	Lightsource	48 x high-power 24W RGBW LEDs
	Native lens options	10°
	Optional filters	Elliptical horizontal, I/P, external (10° x 60° angle) Elliptical vertical, I/P, external (60° x 10° angle) Wide, P-1/P-6/P-10, external (47° angle) Medium, P-1/P-6/P-10, external (18° angle)
Photometric	Efficacy	29 lm/W
	Light output all LEDs on	40165 lm
	Light output blue	2854 lm
	Light output green	13151 lm
	Light output red	7545 lm
	Lumen per kilogram	1922 lm / Kg
	Lux @ 10m	6530 lux
	Lux @ 3m	72555 lux
	Lux @ 5m	26122 lux
	Native beam angle(s)	11° (with 10° lens) 18° (with Med filter frame) 47° (with Wide filter frame)
Native field angle(s)	22°	
Physical	Color options	Black - RAL 9004 Custom color - Any RAL White - RAL 9010
	Effective Projected Area	3.7 Square ft
	IK rating	IK07
	IP class	IP65
	Lens material	PE
	Material	Aluminium PC/ASA Rubber Steel Tempered Glass
	Net dimensions inches	27.7 x 15.8 x 8.1 inches
	Net weight	20.9 kg (46.1 lbs)
Features	Color calibration	SGM proprietary, full color calibration
	Dehumidifier	Base / Head

	Dimming	3 Smooth fade in, DMX-controllable curves: gamma corrected, linear, halogen emulation
	Emulation mode / effect	Tungsten response emulation Color Filter Emulation
	Filters	Magnetic easy-fit spread angle filter frames
	LED panel	8 individually controllable segments
	Other	Studio DMX mode(s) LED frequency control over DMX
	Strobe	Ultra-high-speed strobe effects Intensity, Duration, Rate and FX control channels Pixel strobe feature (up to 8 segments)
	Tilt	0 - 190°
	Tilt locking system	Locking system with angle indicator
Electrical	Electrical protection	Overload protection with automatic recover
	Input voltage, absolute max. rating	90 - 305 VAC; 50 / 60 Hz
	Input voltage, nominal	100 - 277 VAC; 50 / 60 Hz
	Max inrush current 230VAC	79 A
	Max power consumption	1400 W
	Power factor	0.99 PF (230 V)
	Power Supply Unit	Auto-ranging electronic switch-mode
	Standby power consumption	30 W
Programming and Control	16-bit control	Dimmer, Red, Green, Blue, White
	Cabled DMX	5 pin XLR input/output
	DMX channels	4, 6, 8, 9, 10, 21, 27, 30, 32, 35, 52
	DMX modes	13
	Protocol	CRMX, W-DMX™ G2, W-DMX™ G3, W-DMX™ G4, W-DMX™ G4S USITT DMX512A RDM ANSI E1.20
	Setting and addressing	OLED graphical display / 4 buttons RDM ANSI E1.20
	Standalone mode	Quick Color 3 programs with up to 24 scenes
	Wireless DMX	Lumen Radio with RDM
Connections	DMX data in/out	IP65 XLR 5-pin connector, Female IP65 XLR 5-pin connector, Male
	Power	Power input connector & link-thru

Installation	Mounting point	3 x two quarter-turn locking points for two or three Omega Brackets
	Orientation	Any
	Rigging possibilities	Hanging (Omega Bracket included) or ceiling/wall mount (optional)
	Safety features	2 attachment points for safety wire Minimum distance to combustible materials: 0.3 meter (11 in).
Thermal	Cooling	Active, Forced Air, Temperature-regulated
	Humidity (max.)	98 %
	Temperature range, operating max	50 °C
	Temperature range, operating min	-40 °C
	Thermal protection	Automatic overtemperature protection
	Total heat dissipation, max power	4776.8 BTU per hour
	Total heat dissipation, standby	102.4 BTU per hour
Included items	Included items	2 Omega bracket with quarter-turn fasteners 2 m IP66 power cable pigtail Safety instructions and installation quick guide
Conforms To	CE - 2014/30/EU: EMC Directive	EN 55103-1 EN 55103-2 EN 55015 EN 61547 EN 61000-3-2 EN 61000-3-3
	CE - 2014/35/EU: Low Voltage Directive	EN 60598-1 EN 60598-2-17 EN 62471 EN 60529
	RoHS2 Directive	2011/65/EU
	UL	UL Std. 1573
Certified To	CSA	CSA-E598-2-17-98, Ed: 1 CSA E60598-1, Ed: 3

Ordering information

Qty	Product name	Item number
<input type="checkbox"/>	P-10, Std, BL	80033001
<input type="checkbox"/>	P-10, Std, WH	80033011
<input type="checkbox"/>	P-10, Std, CU	80033021
<input type="checkbox"/>		
	Accessories	Item number
<input type="checkbox"/>	Omega Bracket with 1/4-turn fasteners	83060602
<input type="checkbox"/>	Power cable with IP connector	07860275
<input type="checkbox"/>	SGM USB uploader cable	83062011
<input type="checkbox"/>	Vacuum Test Kit	83061136
<input type="checkbox"/>	A-4	80070217
<input type="checkbox"/>	Filter frame for P·10 - elliptical horizontal wide angle	83061158
<input type="checkbox"/>	Filter frame for P·10 - elliptical vertical wide angle	83061159
<input type="checkbox"/>	Filter frame for P·10 - medium angle	83061156
<input type="checkbox"/>	Filter frame for P·10 - wide angle	83061157
<input type="checkbox"/>	4-way Barndoors for P·10, Q·10	83061152
<input type="checkbox"/>	RDM Addressing Tool	
<input type="checkbox"/>	Flight Case for 2 pcs of P·10 / Q·10 incl. accessories	82051504
<input type="checkbox"/>	Spigot adapter for omega bracket	83060639
<input type="checkbox"/>		



Headquarter [+45 70 20 74 00](tel:+4570207400)

Mail info@sgmlight.com

Website sgmlight.com