



P-3 Wash

RGBW LED Wash Light



IP66
INGRESS

C5
CORROSION

IK09
IMPACT

UV
RESISTANT

RoHS
COMPLIANT

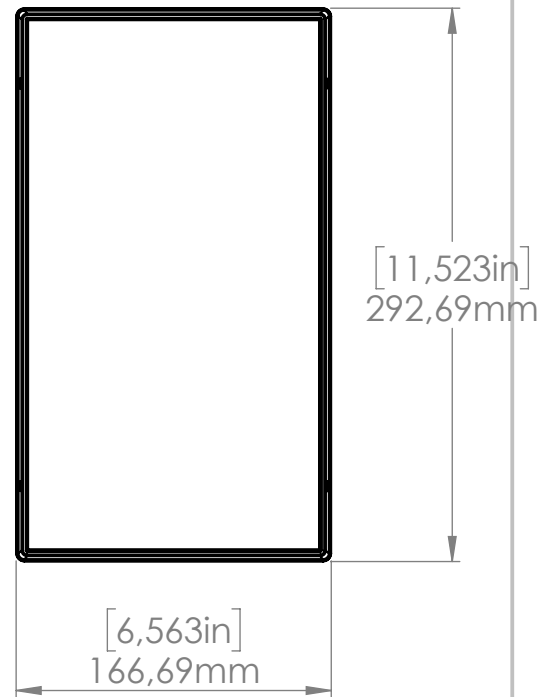
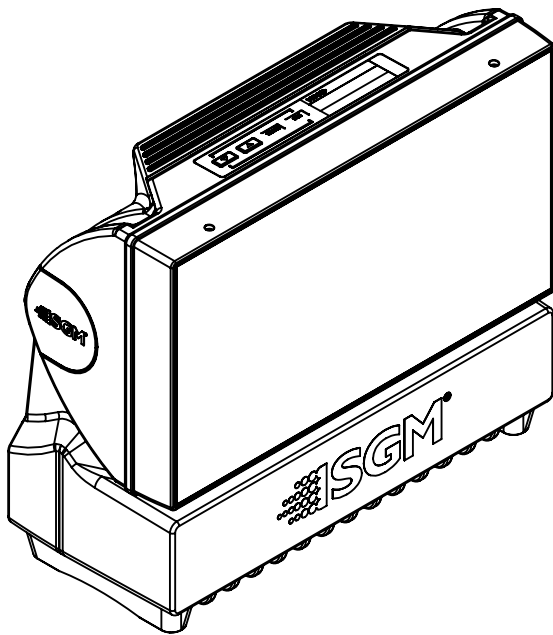
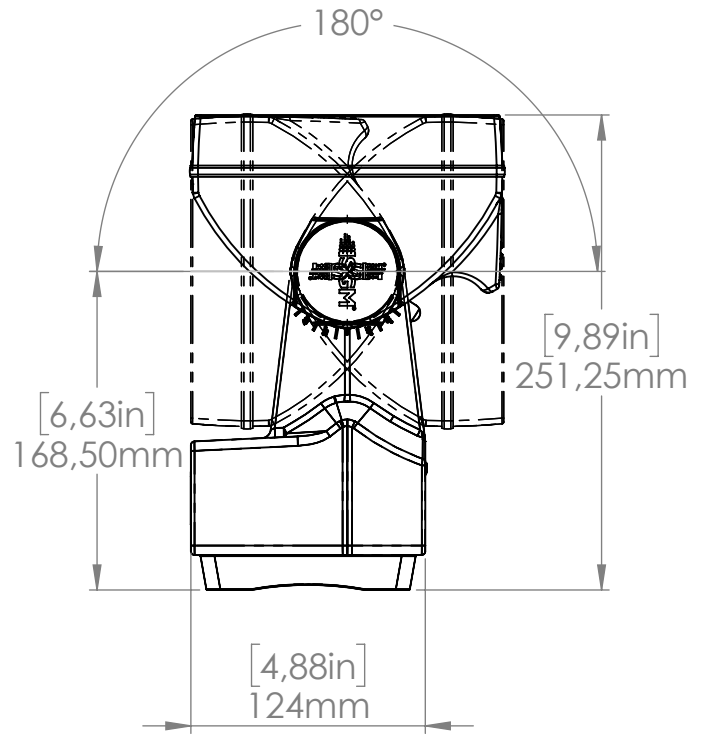
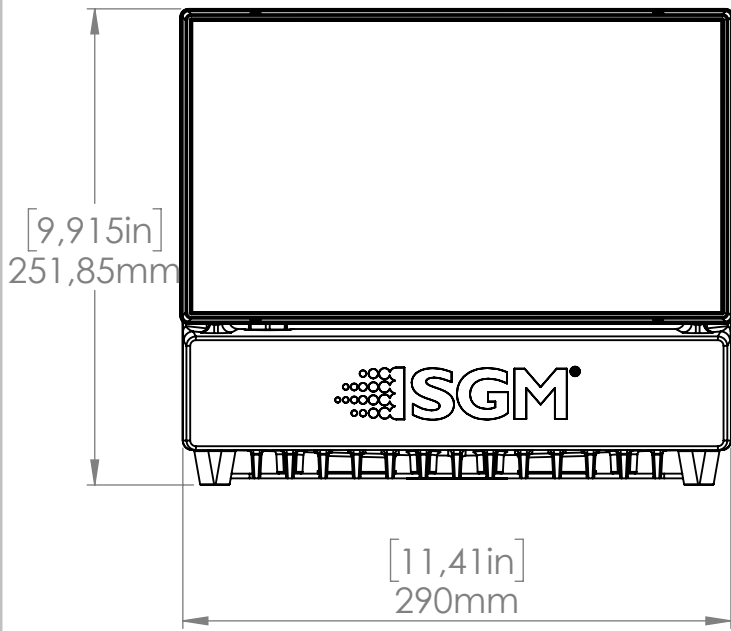
Description

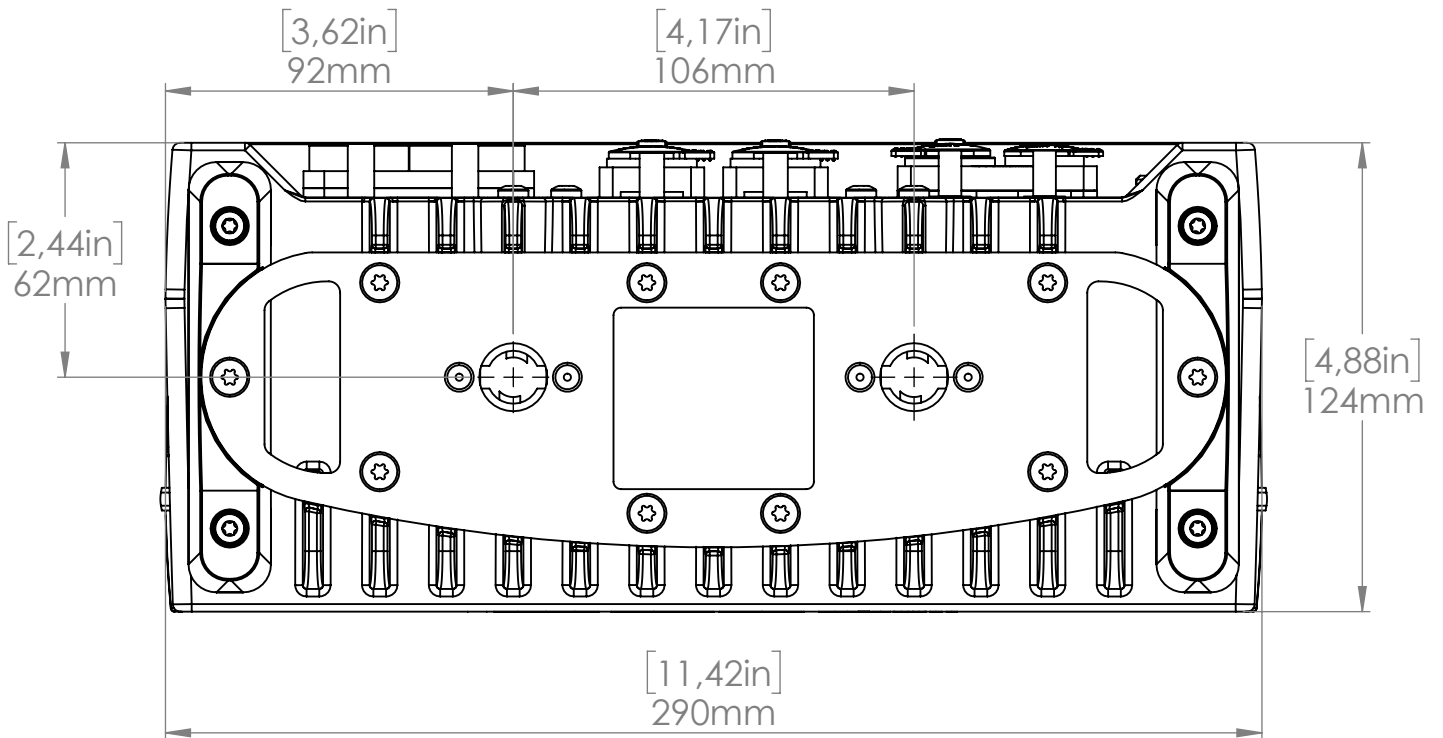
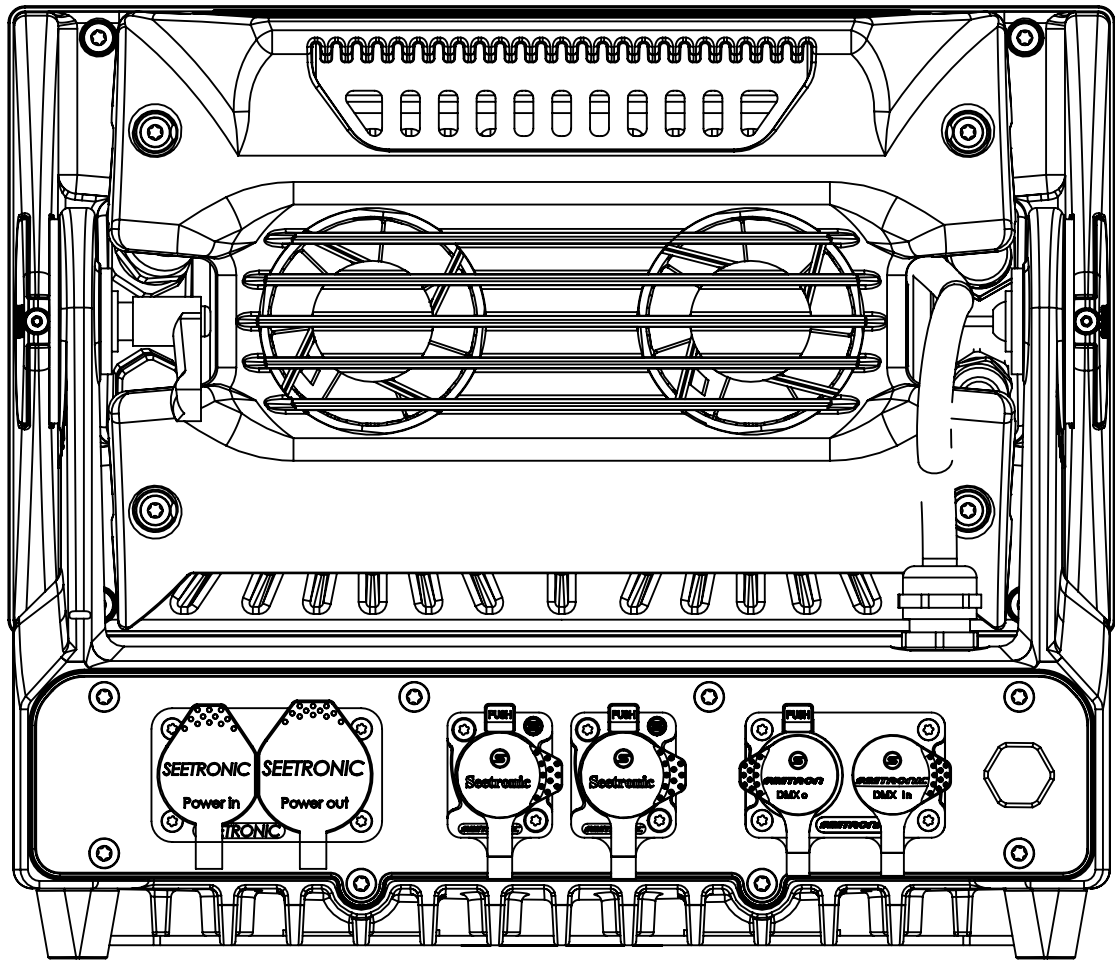
The P-3 Wash is part of the revolutionary family of SGM Light 3 Series fixtures. The 3 Series introduces numerous features and performance improvements which makes it unique amongst fixtures in this size class. Incorporating a >12,700 lumen illumination LED engine this compact powerhouse can be used as a color strobe or for illumination, arrayed in grids, used in LED screen borders, arranged in LED extensions, or used as stage outlines.

Features and benefits

The P-3 Wash is part of the revolutionary family of SGM Light 3 Series fixtures. The 3 Series introduces numerous features and performance improvements which makes it unique amongst fixtures in this size class. Incorporating a >12,700 lumen illumination LED engine this compact powerhouse can be used as a color strobe or for illumination, arrayed in grids, used in LED screen borders, arranged in LED extensions, or used as stage outlines.

Certifications & classifications





Specification

Optical Data	LED expected lifetime (L70)	50,000 hours
	Lightsource	18 X High Output RGBW LEDs
Photometric	Native beam angle(s)	10° (with 10° lens) 25° (with 25° lens) 35° (with 35° lens)
	Preliminary light output all LEDs on	12700 lm
Physical	Color options	Black - RAL 9004 White - RAL 9010
	Corrosion class	C5 (ISO 12944:2018)
	IK rating	IK09
	IP class	IP66
	Lens material	Tempered glass front
	Material	Aluminium PC/ASA Steel
	Net dimensions L x H x W	290 x 252 x 124 mm
	Net dimensions L x H x W (inches)	11.4 x 9.9 x 4.9 inches
	Net weight	8.1 kg (17.9 lbs)
	Vibration Rating	3G
Features	Addressable pixels	3
	Color calibration	SGM proprietary with Dynamic Drive
	Dehumidifier	Head
	Remote monitoring	Yes (Real Time)
	Tilt locking system	Locking system with angle indicator
Electrical	Electrical protection	Overload protection with automatic recover
	Input voltage, nominal	115 - 277 VAC; 50 / 60 Hz

	Max inrush current 230VAC	60 A
	Max power consumption	340 W
	Max power thru @ 100 V	16 A
	Max power thru @ 230 V	14 A
	Power factor	0.99 PF (230 V)
	Power Supply Unit	High-efficiency electronic switch-mode
	Standby power consumption	6 W
Programming and Control	16-bit control	Dimmer, Red, Green, Blue, White
	Cabled DMX	5 pin XLR input/output
	Data communication	100 Mb
	DMX channels	3 - 31
	DMX modes	10
	Protocol	CRMX, W-DMX™ G2, W-DMX™ G3, W-DMX™ G4, W-DMX™ G4S USITT DMX512A RDM ANSI E1.20 Art-Net (up to 120 Hz) sACN
	Setting and addressing	OLED graphical display / 4 buttons RDM ANSI E1.20
	Standalone mode	Quick Color
	Wireless DMX	Lumen Radio with RDM
Connections	DMX data in/out	IP66 XLR 5-pin connector, Female IP66 XLR 5-pin connector, Male
	Ethernet Connections	IP66 RJ45 Locking Chassis Mount Connections
	Power	Power input connector & link-thru
Installation	Mounting point	2 quarter-turn locking points for one Omega bracket
	Orientation	Any
	Safety features	Bottom mount for safety wire

Thermal	Cooling	Active, Forced Air, Temperature-regulated
	Humidity (max.)	98 %
	Temperature range, operating	-40°C to 50°C
	Temperature range, operating max	50 °C
	Temperature range, operating min	-40 °C
	Temperature range, start-up	-20°C to 50°C
	Temperature range, storage	-40°C to 80°C
	Total heat dissipation, max power	1160.1 BTU per hour
	Total heat dissipation, standby	20.5 BTU per hour
Included items	Included items	2 m IP66 power cable pigtail 1 Omega bracket with quarter- turn fasteners
Conforms To	CE - 2014/30/EU: EMC Directive	EN 55015
		EN 61547
		EN 61000-3-2
		EN 61000-3-3
		EN 55032
	EN 55035	
CE - 2014/35/EU: Low Voltage Directive	EN 60598-1	
	EN 60598-2-17	
	EN 62471	
RoHS2 Directive	2011/65/EU	
UL	UL Std. 1573	
Certified To	CSA	CSA-E598-2-17-98, Ed: 1 CSA E60598-1, Ed: 3

Ordering information

Qty	Product name	Item number
<input type="checkbox"/>	P-3 Wash, 10°, BL	80032100
<input type="checkbox"/>	P-3 Wash, 25°, BL	80032101
<input type="checkbox"/>	P-3 Wash, 35°, BL	80032102
<input type="checkbox"/>		
	Accessories	Item number
<input type="checkbox"/>	Omega Bracket with 1/4-turn fasteners	83060602
<input type="checkbox"/>	Power cable with IP connector	07860275
<input type="checkbox"/>	SGM USB uploader cable	83062011
<input type="checkbox"/>	Filter Frame for P-3 (Empty)	83061197
<input type="checkbox"/>	Filter Frame for P-3 (Set)	83061193
<input type="checkbox"/>	4-Way Barndoors for P-3	83061194
<input type="checkbox"/>		



Headquarter +45 70 20 74 00

Mail info@sgmlight.com

Website sgmlight.com

Distributor:  Phone: 407-857-8770
 Fax: 407-857-8771
 Email: sales@techni-lux.com
www.techni-lux.com