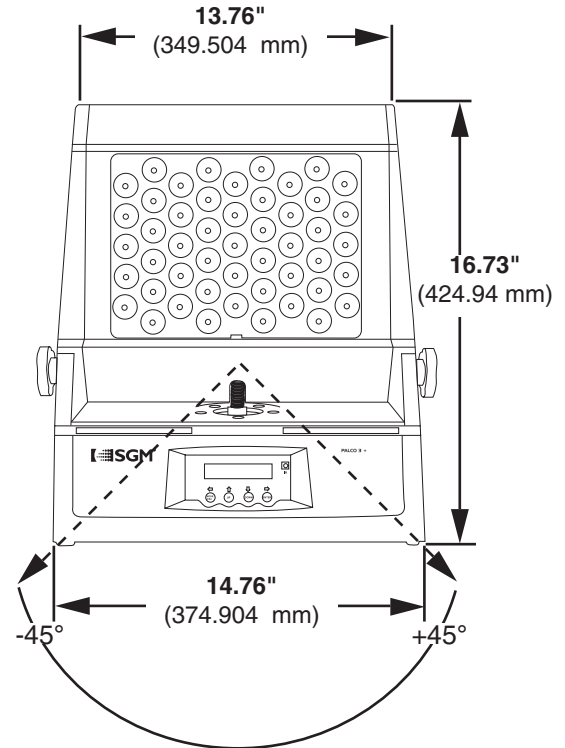


PALCO 3+

Product Code
DL-PALCO3PC

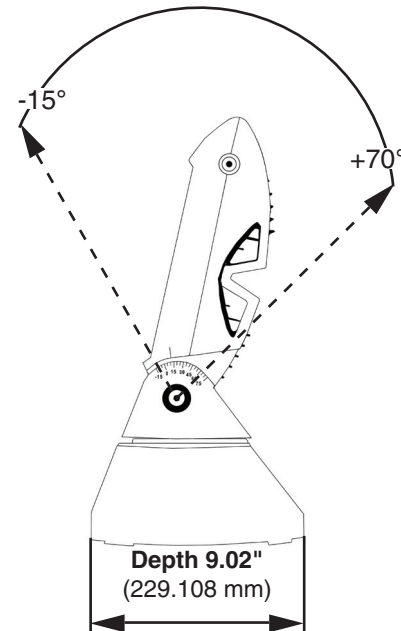


Product Description:

Palco 3+, remains one of the most powerful color changing LED fixtures for indoor and outdoor applications in the SGM range. In its second generation, Palco 3+ (plus) now uses 49 high-power Osram OSOLON LEDs. While the LEDs are not using any more wattage, they are now producing more light output than previous LEDs, becoming more efficient with greater output. The LED actually consume less wattage.

Product Features and Specifications:

- Power Input: auto ranging 90-270vAC-50/60Hz
- Power Consumption 170w
- LED color mixing RGB additive
- 7 Osolon 3w Blue LEDs
- 18 Osolon 3w Green LEDs
- 24 Osolon 1.5w Red LEDs
- Luminosity (white) 7,900 Lumens
- Color temperature: variable
- LEDs average life: 30,000 hours
- Interchangeable lenses: 8°, 25°, 40°(must add lens)
- 8 DMX Channels: 1-Strobe/Shutter, 2-Dimmer, 3-Red, 4-Green, 5-Blue, 6-CTC, 7-Macros, 8-Color Mode
- Interface LCD digit display & 4 buttons
- Internal Microcomputer Function menu (software updatable via DMX)
- Pan +/- 45° - manually positioned
- Tilt +15° / -70° - manually positioned
- Includes 2 fast lock omega clamps with mounting hole
- Insulation rating: IP65
- Size: (HxWxD) 16.73"x14.76"x9.02"
- Weight: 12.5Kgs/27.5Lbs



Optional Accessories:

- **DL-PALCOLENS-25** SGM Palco 3 & 5 Lens 25°
- **DL-PALCOLENS-40** SGM Palco 3 & 5 Lens 40°
- **DL-PALCOLENS-8** SGM Palco 3 & 5 Lens 8°