



DL-UWLED36C-15



DL-UWLED18C-140

UNDERWATER LED 36 POWER RGB

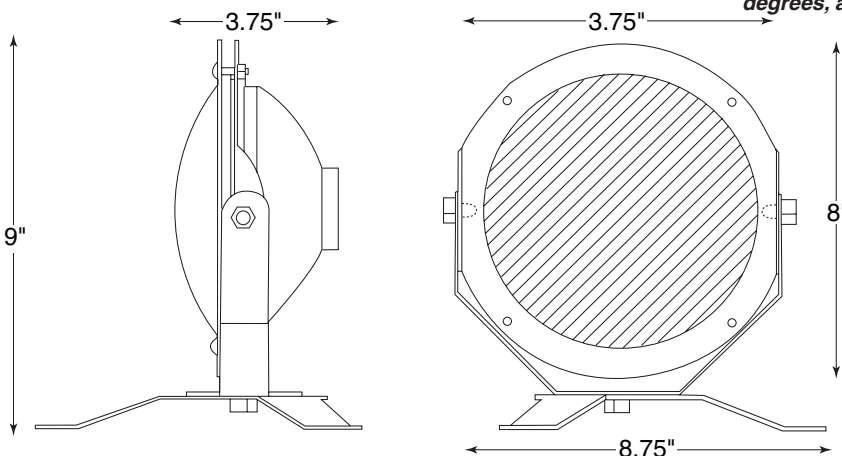
DL-UWLED36C-15
DL-UWLED36C-140
DL-UWLED36C-33x18

This powerful color changing underwater fixture was designed for fountains and all other applications where a fixture is needed to operate in water at a low voltage. It uses 36 high power LEDs as its light source. Its special stainless steel housing and support bracket enables the LED light output to be mounted in water, aimed and tightened down to point in any direction. With the new LED RGB technology and any DMX controller it is possible to generate a wide range of colors and dramatic scenes. Using this fixture significantly reduces the heat and power consumption typically associated with traditional incandescent and halogen color changing systems. It draws a maximum of 57 watts only when all three RGB LEDs are on full. Furthermore, these LED fixtures help cut maintenance lamp changes, and downtime by providing extensive average life hours. Warrantied for 2 years.

Specifications:

- RGB color mixing system using 36 1.2w Philips Lumileds LUXEON® LEDs
- Typical throw distance: 3 to 35 feet
- DMX addressable using DLC900 setting device
- Control: DMX 512
- 5 DMX Channels: Ch1-Red, Ch2-Green, Ch3-Blue, Ch4-Strobe, Ch5-Macros
- Power: 12v AC
- Power consumption: 57 watts
- Input cable: 5 conductor x 13 feet
- Stainless steel AISI 316 housing with support hardware and glass lens
- Fits in standard 56 Par
- IP Rating: IP68
- Dimensions: 9"H x 9"W x 9"D
- Weight: 3.18 kgs/7 Lbs

Available in three output beams: narrow 15 degree, medium oval 33x18 degrees, and a very wide 140 degree



LUXEON® and the Logo are trademarks of Philips Lumileds Lighting Company.

UNDERWATER LED 18 PLUS RGB

DL-UWLED18C-15
DL-UWLED18C-140
DL-UWLED18C-33x18

The Underwater LED Plus 18 fixture compliments the underwater range, when it is not necessary to have the higher output of the Underwater LED POWER 36 version. It is designed for fountains and all other applications where a fixture is needed to operate in water at a low voltage. It uses 18 high power LEDs as its light source. Its special stainless steel housing and support bracket enables the LED light output to be mounted in water, aimed and tightened down to point in any direction. With the new LED RGB technology and any DMX controller it is possible to generate a wide range of colors and dramatic scenes. Using this fixture significantly reduces the heat and power consumption typically associated with traditional incandescent and halogen color changing systems. It draws a maximum of 44 watts only when all three RGB LEDs are on full. Furthermore, these LED fixtures help cut maintenance lamp changes, and downtime by providing extensive average life hours. Warrantied for 2 years.

Specifications:

- RGB color mixing system using 18 1.2w Philips Lumileds LUXEON® LEDs
- Typical throw distance: 3 to 30 feet
- DMX addressable using DLC900 setting device
- Control: DMX 512
- 5 DMX Channels: Ch1-Red, Ch2-Green, Ch3-Blue, Ch4-Strobe, Ch5-Macros
- Power: 12v AC
- Power consumption: 44 watts
- Input cable: 5 conductor x 13 feet
- Stainless steel AISI 316 housing and support hardware and glass lens
- IP Rating: IP68
- Dimensions: 9"H x 9"W x 9"D
- Weight: 2.95 kgs/6.5 Lbs

Available in three output beams: narrow 15 degree, medium oval 33x18 degrees, and a very wide 140 degree



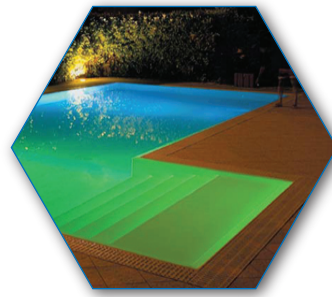
Techni-Lux
 Professional Lighting Equipment & Design Services

10900 Palmbay Drive, Orlando, FL 32824 U.S.A.
 Phone: 407-857-8770 Fax: 407-857-8771
 www.techni-lux.com



CE

DL-UWPLED36C-140



CE

DL-UWPLED18C-140

SWIMMING POOL LED 36 POWER RGB DL-UWPLED36C-140

This powerful color changing underwater fixture was specifically designed for swimming pools where a fixture is needed to operate in water at a low voltage. It uses 36 high power LEDs as its light source. It will fit in most standard swimming pool light niches (Par 56 size enclosure). With the new LED RGB technology and any DMX controller it is possible to generate a wide range of colors and dramatic scenes. An optional wireless remote is available instead of DMX control. Using this fixture significantly reduces the heat and power consumption typically associated with traditional incandescent and halogen color changing systems. It draws a maximum of 57 watts only when all three RGB LEDs are on full. Furthermore, these LED fixtures help cut maintenance lamp changes, and downtime by providing extensive average life hours. Warrantied for 2 years.

Specifications:

- RGB color mixing system using 36 1.2w Philips Lumileds LUXEON® LEDs
- DMX addressable using DLC900 setting device
- Control: DMX 512
- 5 DMX Channels: Ch1-Red, Ch2-Green, Ch3-Blue, Ch4-Strobe, Ch5-Macros
- Power: 12v AC
- Power consumption: 57 watts
- Input cable: 5 conductor x 13 feet
- Stainless steel AISI 316 housing and glass lens
- Fits in standard 56 Par
- Dimensions: 6.97"H x 6.97"W x 3.35"D
- Weight: 1 kgs/ 2.2 Lbs

Available Options: *Wireless remote in place of DMX, Underwater Niche, Single color options - White*

SWIMMING POOL LED 18 PLUS RGB DL-UWPLED18C-140 DL-UWPLED18C-33x18

The Underwater LED Plus 18 fixture compliments the underwater range, when it is not necessary to have the higher output of the Swimming Pool LED POWER 36 version. It is designed for swimming pools where a fixture is needed to operate in water at a low voltage. It uses 18 high power LEDs as its light source. It will fit in most standard swimming pool light niches (Par 56 size enclosure). With the new LED RGB technology and any DMX controller it is possible to generate a wide range of colors and dramatic scenes. An optional wireless remote is available instead of DMX control. Using this fixture significantly reduces the heat and power consumption typically associated with traditional incandescent and halogen color changing systems. It draws a maximum of 44 watts only when all three RGB LEDs are on full. Furthermore, these LED fixtures help cut maintenance lamp changes, and downtime by providing extensive average life hours. Warrantied for 2 years.

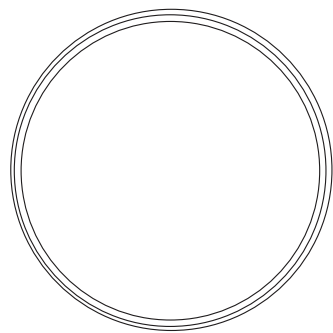
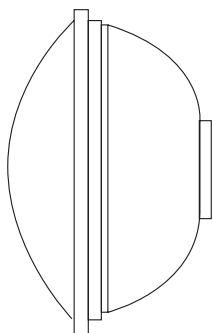
Specifications:

- RGB color mixing system using 18 1.2w Philips Lumileds LUXEON® LEDs
- DMX addressable using DLC900 setting device
- Control: DMX 512
- 5 DMX Channels: Ch1-Red, Ch2-Green, Ch3-Blue, Ch4-Strobe, Ch5-Macros
- Power: 12v AC
- Power consumption: 44 watts
- Input cable: 5 conductor x 13 feet
- Stainless steel AISI 316 housing and glass lens
- IP Rating: IP68
- Fits in standard 56 Par
- Dimensions: 6.97"H x 6.97"W x 3.35"D
- Weight: 1 kgs/ 2.2 Lbs

Available Options: *Two lenses - very wide 140 degree and medium oval 33x18 degrees, Wireless remote in place of DMX, Underwater Niche, Single color options - White, Blue*

← 3.35" →

← 3.35" →



↑ 6.97" ↓



Techni-Lux
Professional Lighting Equipment & Design Services

10900 Palmbay Drive, Orlando, FL 32824 U.S.A.
Phone: 407-857-8770 Fax: 407-857-8771
www.techni-lux.com