



discover ...



NANOLED/C

Powerful, dynamic and glamorous: in a little, compact body there is the future in club lighting.

Turn on the new Nanoled... and the party just began!

available version:

art. **0702**: RGB NANOLED/C

art. **07021**: W+A NANOLED/C (white+amber)

available accessories:

art. **CLAMP/C**: professional aluminium clamp

art. **NL-10BL**: 10° narrow beam lenses kit

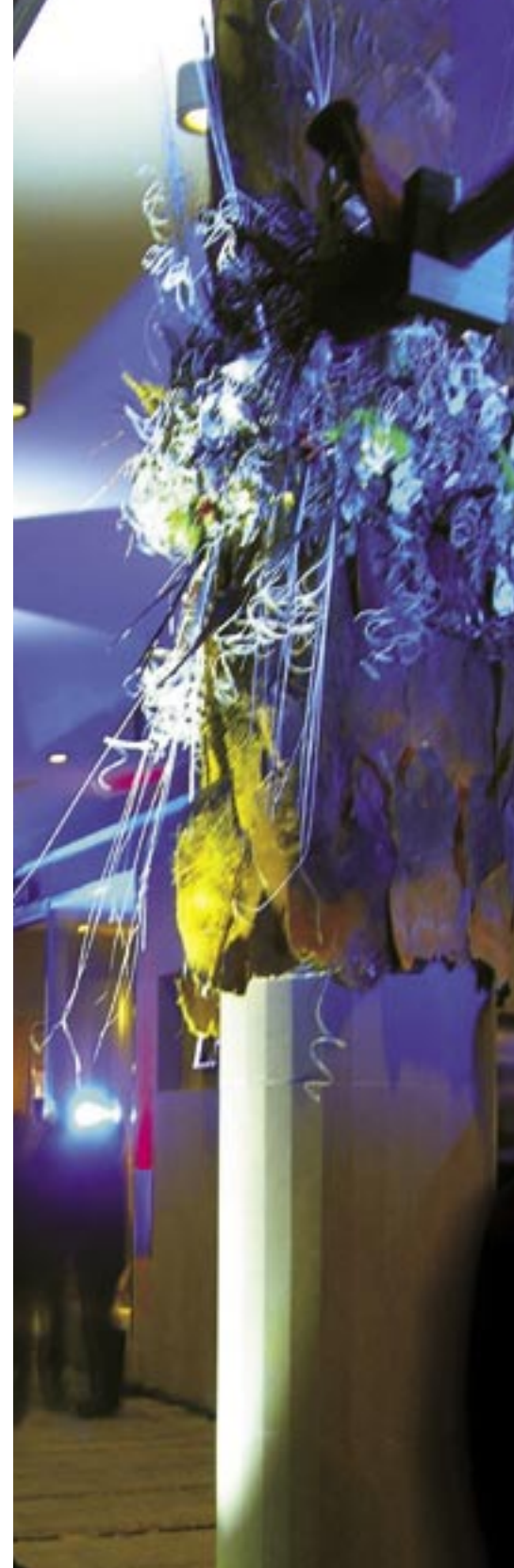
art. **NL-COLOUR**: extra charge for colour finishing

art. **NL CASE x 4**: flight case for n.4 NANOLED





Fast and furious: with his unlimited colours and the sinuous movement is perfect for discoteque, shopping center, tv shows.



NANOLED/C specifications

SOURCE (CREE® XLamp® XR LED)

RGB: Three colours system (R+G+B) Hi-Power 3W LEDs,
4 RED LEDS 3W (each) total 240 lumen
5 GREEN LEDS 3W (each) total 440 lumen
5 BLUE LEDS 3W (each) total 150 lumen
Total output lumen 830

OPTIC

22mm lenses, medium beam (23°)
On request:
narrow beam lenses kit (10°)

PAN TILT

Pan: 350° (1,5 sec. - 16 bit)
Tilt: 243° (1,1 sec. - 16 bit)

CONTROL INPUT

Standard interface: RS-485; opto-couplet input.
Protocol: USITT DMX 512 - 12 channels
3 pin connection
inside connections for permanent installations

SETUP AND CONFIGURATION

Control panel with dynamic menu
(built-in microprocessor with LED display and buttons)
16 bit led dimming for precise colour mixing
Master/slave function
8 internal presets with variable speed

POWER SUPPLY

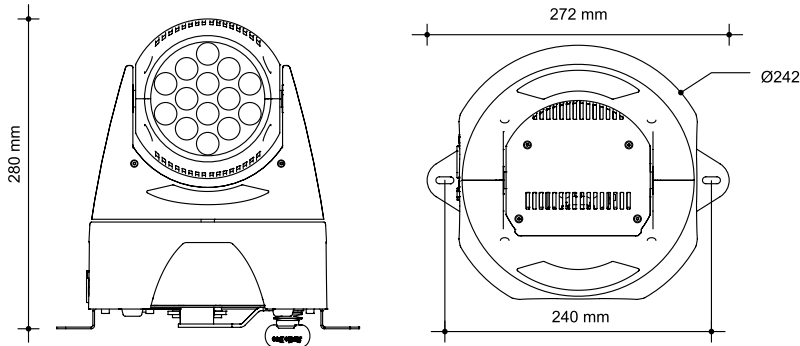
Switching power supply (universal main voltage)
Rated voltage: 100-240V; 50-60Hz
Rated power: 60VA

DMX CHANNELS

ch1 = RED
ch2 = GREEN
ch3 = BLUE
ch4 = STROBE/RAINBOW
ch5 = PAN COARSE
ch6 = PAN FINE
ch7 = TILT COARSE
ch8 = TILT FINE
ch9 = DIMMER
ch10 = MOTOR SPEED
ch11 = FADE SPEED
ch12 = RESET

PHYSICAL

Width: 245 mm
Depth: 221 mm
Height: 275 mm
Weight: 4,3 kg. net



Create different effects! Have at your disposal an optic kit to make another light beam.
Medium beam 23° (standard), narrow beam lenses kit 10° is available on request.

Endowed with the fixture the fast fixing bracket with fast lock allows a secure and easy installation. It's also available the aluminium professional clamp, (art. CLAMP/C) to hang the fixture to any structure.



It's also possible to connect the main power and the DMX cable inside the fixture for permanent installations