



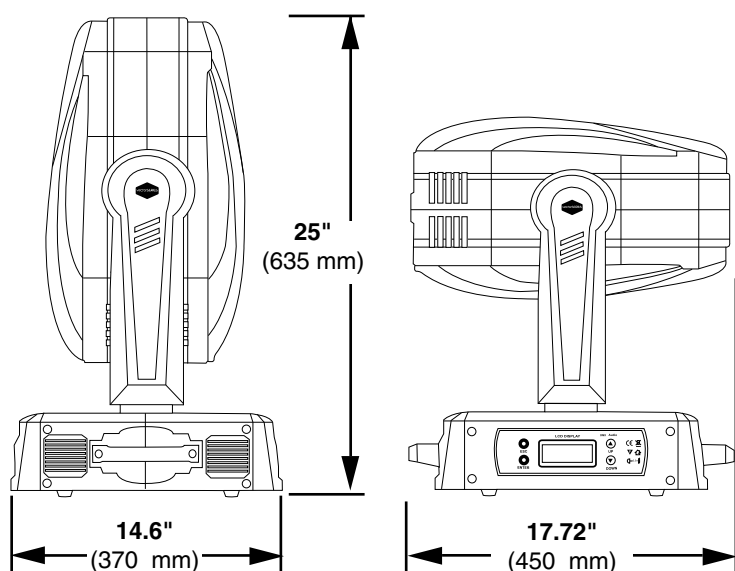
Product Code
DM-VECTORLED1140S

Product Description:

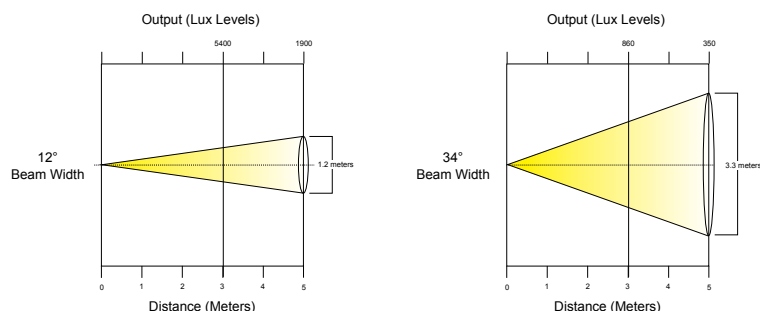
VectorLED is the latest series of intelligent moving lights, at their heart, using a long life LED light source. VectorLED represents the new direction of light in motion. The vectorLED 1140 Spot is featured packed and projects a beam similar in output to traditional 575 watt metal halide fixtures, yet uses only a 140 watt LED. Furthermore, the fact there is little heat from its LED light source allows it to exist in a super compact and lightweight body design. The VectorLED 1140 Spot weighs only 38 pounds, making it the most powerful light in its weight class. The beam can be remotely adjusted from 12 to 34 degrees using the ZOOM feature. Among its capabilities are a selection of razor sharp gobo beams, rotating gobos, motorized focus, fast action strobing, electronic dimming, rich dichroic colors and rotating prism.

Product Features and Specifications:

- Power Input: 90-240vAC, 50/60hz
- Power Consumption: 200w
- Light Source: 140 watt White Luminus LED engine
- LED Life: 60,000 hours
- Light output: 5400 lux @ 3 meters
- Color wheel: 6 dichroic colors + open, half color effect, bi-directional color scroll effect at variable speeds.
- Fixed gobo wheel: 7 static gobos + open, Size: 30mm OD x 24mm ID
- Rotating gobo wheel: 7 interchangeable gobos + open, bi-directional rotation at variable speeds, Size: 29mm OD x 24mm ID
- Prism wheel: 3 facet prism, bi-directional rotation at variable speeds.
- Frost effect on prism wheel
- Focus: Motorized linear focus control
- Zoom: Motorized zoom from 12 to 34 degrees
- Iris: Motorized aperture iris
- Dimmer: 0-100% smooth even field digital dimming
- Strobe: Speed adjustable strobing from 0 to 20 flashes per second
- Pan/Tilt: Precision 16 bit smooth movement with automatic position correction, motor speed adjustable.
- Pan Range: 540 degrees
- Tilt Range: 270 degrees
- Vector mode: color, gobo, prism, xy movement
- Control: DMX512, Standalone and Master/Slave
- Remote reset
- Connectors: XLR 3 pin DMX in/out
- Channels: 18
- Display: LCD display with brightness and contrast adjustment
- Insulation Rating: IP 20
- Forced air ventilation
- Mounting: Any position, includes omega clamp with 1/2" (13mm) clamp holes.
- Dual carrying handles
- Size: 17.72" x 14.6" x 25"
- Weight: 17Kgs / 37.4Lbs
- Color: Black



Photometric Data:



10900 Palmbay Drive, Orlando, FL 32824 U.S.A.
Phone: 407-857-8770 Fax: 407-857-8771
www.techni-lux.com

