

# SPACEFLOWER

OPERATING MANUAL Art. 9305 - 93051 - 93052

## Introduction

Congratulations to have bought the SPACEFLOWER effect.

Lighting effect studied for open-air display, the SPACEFLOWER projects 3 circle of 12 rays that can open, closed and rotate with different speed settings.

The lamp STI 3000W make the light rays visible till 7- 8 Km.

An inside mechanism permits a light beam panning movement from 0 to 180 degrees with speed regulation.

These functions are directed by the front control panel of the equipment.

The SPACEFLOWER born to work in open-air, therefore its mechanics has been scrupulously studied for this purpose.







Before using the unit, please read carefully this manual in order to obtain always the best performances and a constant correct working.

## Your reference

Mention the item and the the serial number everytime you apply to your dealer for information or technical assistance.

## Packaging

The packaging of the SPACEFLOWER includes :

-  Head Spot
-  Base Spot
-  Lamp (on request)
-  n.1 Connector for power supply connection
-  Operating Manual
-  STUDIO DUE guarantee

## ATTENTION:

Verify that the apparatus has not been damaged during the transportation. Claims for possible damages or wrong functioning apply to your dealer.

If this apparatus has been sent to you directly, apply immediatly to the freight company.

Only the consignee (person or company) can claim for eventual damages.

## SPACE FLOWER technical features

- LAMP STI 3000 watt.
- Thermic protection.
- Pan 180 degrees.
- Rotation and opening-closing of the 3 circles of 12 rays each one.
- Front control panel: n.3 different speed setting, continuous regulation of pan excursion  
0-180° continuous regulation of the speed ray rotation.
- Weather - proof case to protect the equipment from elements.
- Cooling system :
  - N.1 fan 150x150 head spot.
  - N.1 fan 120x120 base spot.
- Visibility : MAX 7 km.
- Weight: 70 kgs.

## SPACE FLOWER technical features

- LAMP STI 3000 watt.
- Thermic protection.
- Pan 180 degrees.
- Rotation and opening-closing of the 3 circles of 12 rays each one.
- Front control panel: n.3 different speed setting, continuous regulation of pan excursion  
0-180° continuous regulation of the speed ray rotation.
- Weather - proof case to protect the equipment from elements.
- Cooling system :
  - N.1 fan 150x150 head spot.
  - N.1 fan 120x120 base spot.
- Visibility : MAX 7 km.
- Weight: 70 kgs.

SPACEFLOWER ON PROBABLE RAIN-WATER DRAINAGE THAT SHOULD BE SUCKED IN, BY THE FAN.

External surface temperature of the apparatus:

a) After 5 minutes of working:  $T_c = 75^\circ$

b) At thermic equilibrium reached:  $T_c = 90^\circ$

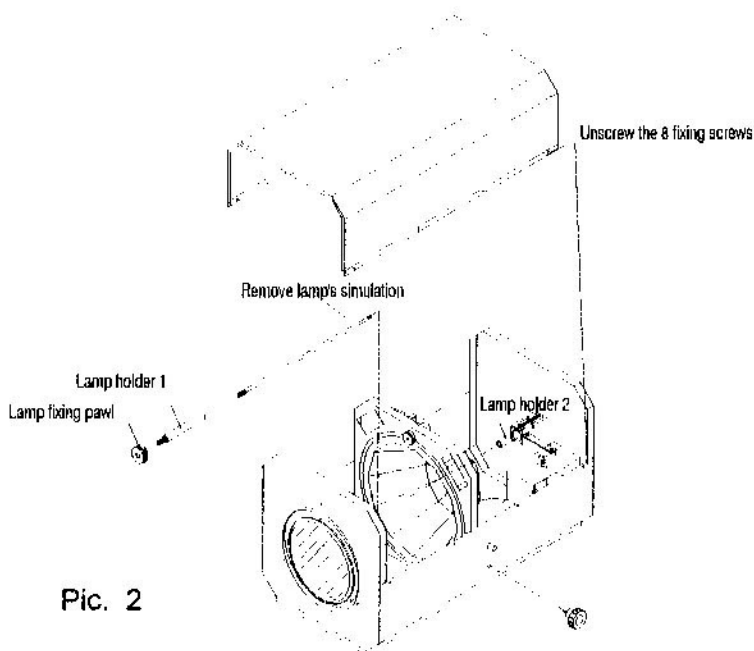
The unit must be installed at least 30 cm. from walls or other surfaces.

6. Clean periodically the finger guards of input and output air.
7. Do not handle the apparatus from the bracket but use always the suitable handles.

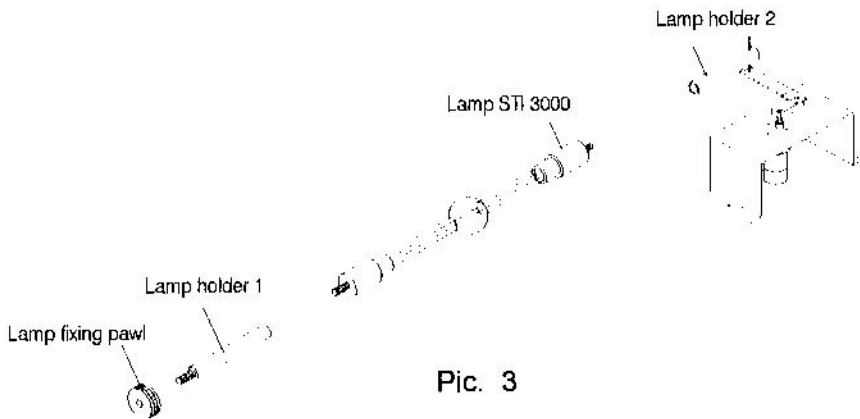
## Assembling and substitution of the lamp

Before effecting this operation make sure to disconnect the unit from the main voltage and proceed as follows:

1. Remove the 8 fixing screws from the apparatus cover head. (Pic.2)
2. Open the cover. (Pic.2)
3. Take off the power supply cable from the lamp holder 1.
4. Unscrew the lamp holder 1.
5. Unscrew the metal bar (lamp's simulation) from the lamp holder 2 and draw it out from parabole lens' side. (Pic.2)
6. Insert the lamp in the parabole (lens' side) and screw it on the lamp holder 2. (Pic.3a)



Pic. 2



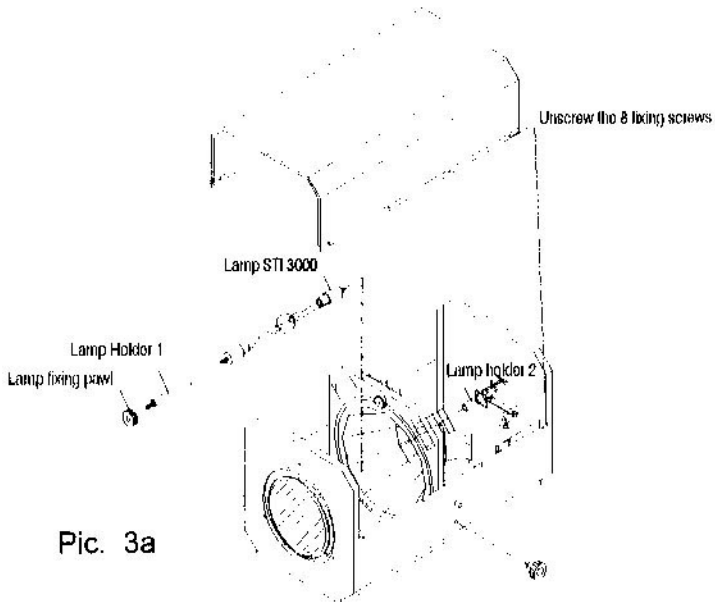
Pic. 3

7. Screw the lamp holder 1 to the lamp.(Pic.3)
8. Fix again the power supply cable to the lamp holder 1 taking care to well tighten the pawl.
9. Close the superior cover, if it should remain open a safety switch will prevent the lamp's ignition.



**IMPORTANT:**

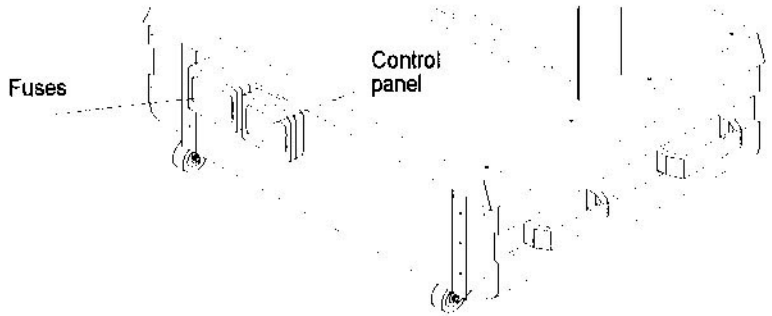
For lamp replacement or maintenance open the apparatus not before 5 minutes from the switching off.



Pic. 3a

## SPACEFLOWER functions

On the frontal panel side on the base of apparatus (Pic.4) there are two little water-proof box.



Pic. 4

The one on the right (Pic. 4) contains all the necessary controls to activate automatically the apparatus functions. The functions of the controls A - B - C - D - E (Pic.4b) are:

A - Two position switch to control the opening and closing of ray's circles.

- Left position, slow opening- closing.
- Right position, fast opening - closing.

B - Control switch to activate the projector horizontal moving.

- Left position, activated moving.
- Right position, disactivated moving.

C - Potentiometer for the horizontal regulation of the speed moving.

D - Potentiometer for the regulation of the maximum excursion of the horizontal moving, that can vary from 1 to 170 degrees.

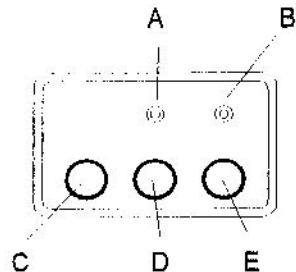
E - Potentiometer for the regulation of rays speed rotation.

Fuses



Pic. 4a

Control panel



Pic. 4b

## Use of the SPACEFLOWER

After having operate the connection to the main voltage and having positioned the apparatus as seen previously, the SPACEFLOWER is ready for use.

For a better visual result of the light-effect, follow these advices :

- Don't install the apparatus in front of trees and houses that could stop the rays projection.
- Adjust the moving excursion on the orizzontal plane (potentiometer D) in order to enable the desired moving of the apparatus.
- Adjust the head inclination of the apparatus making sure:
  - a) Don't dierct the light-rays on the nearby streets, cause they can disturb the drivers.
  - b) Don't incline the apparatus head too higher, this could cause a decrease of visual rays effct.
- DO NOT INSTALL THE APPARATUS IN PROXIMITY TO PORT AND AIRPORT, CAUSE IT CAN DISTURB THE SHIPS AND AIRPLANE OPERATIONS.

## Maintenance

In order to preserve in long run the shining performances of the apparatus and mostly to secure the normal air flux inside the apparatus, it's necessary at least twice a years to clean carefully both optical parts (like external lens and parabole mirror) and the acces and defluction air-grilles, both on the head and on the base of the apparatus.

BEFORE EFFECTING THESE OPERATIONS, MAKE SURE TO HAVE DISCONNECTED THE ELECTRIC POWER.

## Guarantee

THE APPARATUS AND ALL ITS PARTS ARE GUARANTEED FOR 1 YEAR AGAINST DEFECTS OF MANUFACTURE OR MATERIALS. DEFECTS AND BREAKAGES CAUSED BY WRONG USE OF THE APPARATUS ARE NOT SUBJECT TO GUARANTEE.

STUDIO DUE light division  
Viterbo (ITALY)

# SPACE FLOWER - SETUP

## AUTO MODE (normal mode):

### DIP SWITCHES SETTING:

- N°1 = OFF
- N°2 = OFF
- N°3 = OFF
- N°4 = ON

Now you can adjust:

FLOWER SPEED: Operating on the "HUNDREDS" rotary switch

RAYS ROTATION SPEED: Operating on the "TENS" rotary switch

PAN SPEED: Operating on the "UNITS" rotary switch

MAX EXCURSION PAN: Operating on the trimmer "MAX EXCURSION AUTO PAN"

## DMX MODE:

### DIP SWITCHES SETTING:

- N°1 = OFF
- N°2 = OFF
- N°3 = OFF
- N°4 = OFF

Now you can set the "DMX STARTING ADDRESS" operating on the rotary switches "HUNDREDS, TENS and UNITS":

For example, if you have two SPACE FLOWER:

Fixture n° 1: DMX STARTING ADDRESS = 1  
HUNDREDS = 0  
TENS = 0  
UNITS = 1

Fixture n° 2: DMX STARTING ADDRESS = 7  
HUNDREDS = 0  
TENS = 0  
UNITS = 7

DMX CHANNELL	FUNCTION
1	PAN SPEED
2	FLOWER SPEED
3	RAYS ROTATION
4	SHUTTER
5	PAN
6	aux



AUTO MODE+ target: (The pan movement do not work)

DIP SWITCHES SETTING:

N°1 = OFF

N°2 = ON

N°3 = OFF

N°4 = ON

Now you can adjust:

FLOWER SPEED: Operating on the "HUNDREDS" rotary switch

RAYS ROTATION SPEED: Operating on the "TENS" rotary switch

TARGET : Operating on the "UNITS" rotary switch

AUTO TEST

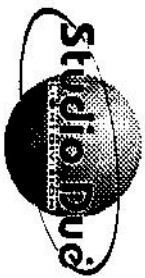
DIP SWITCHES SETTING:

N°1 = OFF

N°2 = OFF

N°3 = ON

N°4 = ON



# SPACEFLOWER

DMX REMOTE CONTROL

### DIP SWITCHES FUNCTIONS

	OFF	ON
1	AUX	AUX
2	NORMAL	TARGET
3	NORMAL	AUTO TEST
4	DMX MODE	AUTO MODE

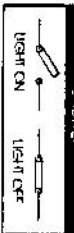
### DMX ADDRESS

CH1 = FAN SPEED
CH2 = FLOWER SPEED
CH3 = FANS POSITION
CH4 = SHUTTER
CH5 = PAN
CH6 = AUX

### DMX INPUT

FN1 = GND
FN2 = SIG -
FN3 = SIG +

### SHUTTER



1234

ON  
OFF  
DIP-SWITCHES

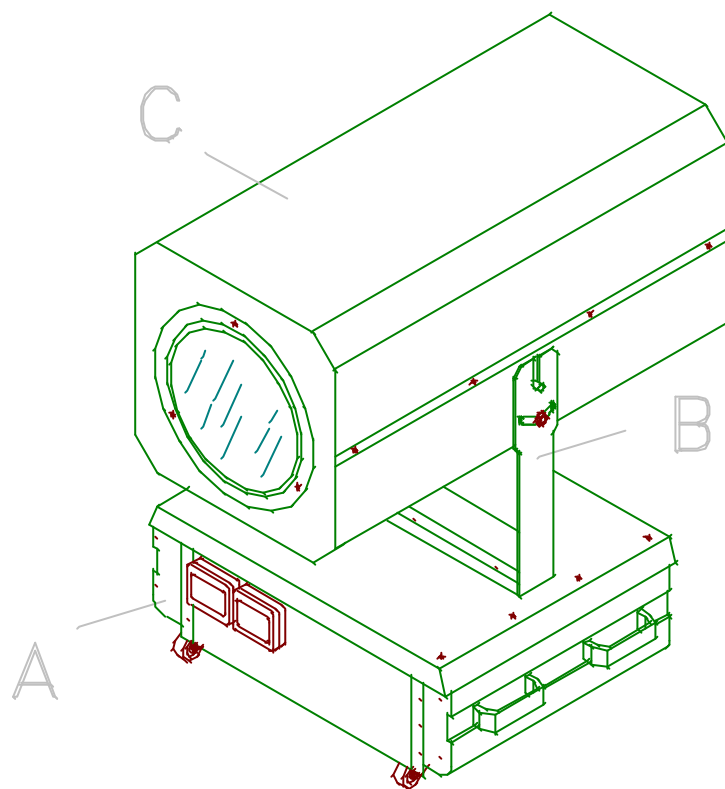
HUNDREDS TENS UNITS

POWER

MAX. EX. URSON  
AUTO PAN

SHUTTER

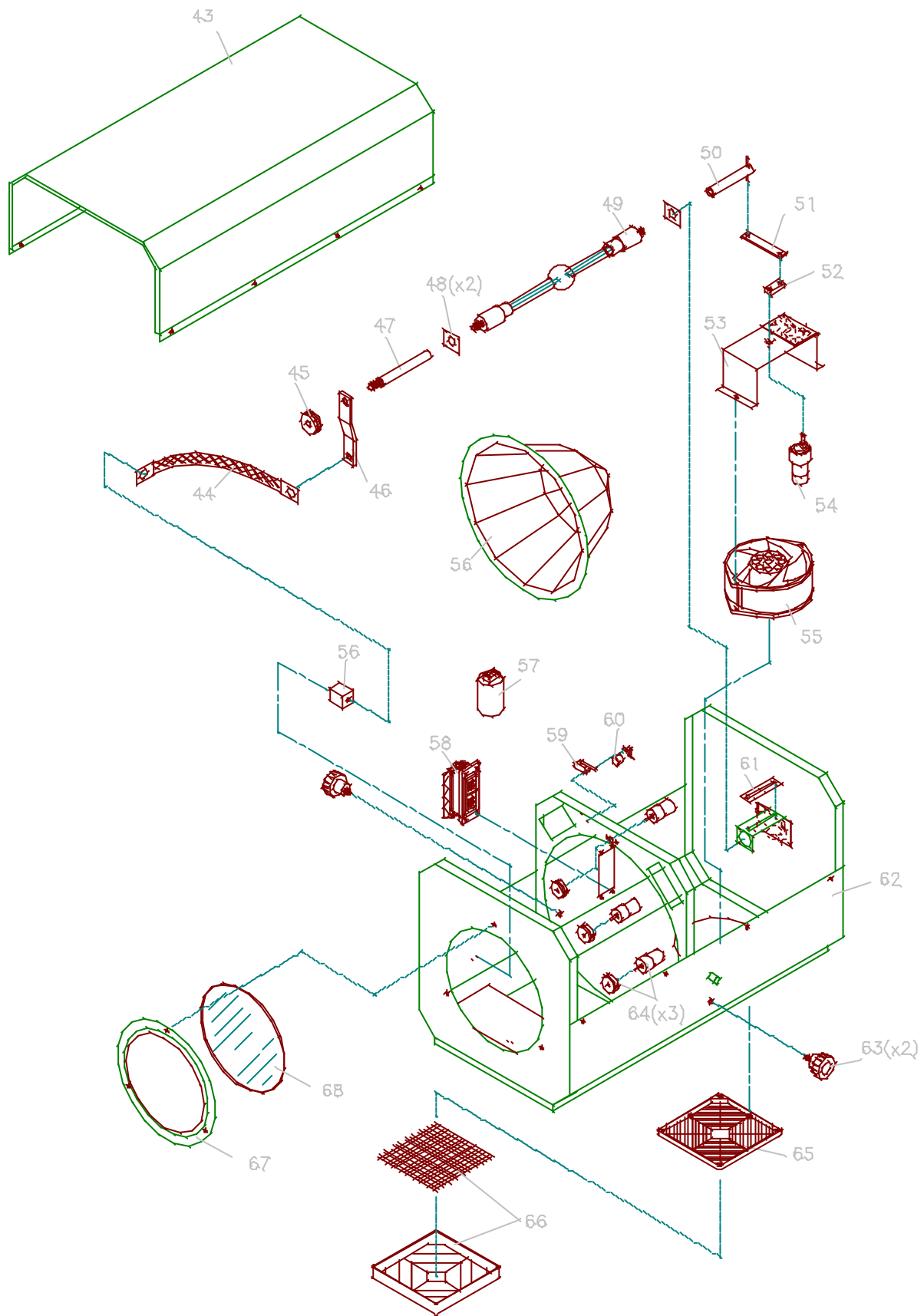
DMX MODE =	HUNDRES	TENS	UNITS
AUTO MODE =	FLOWER SPEED	FANS POSITION	FAN SPEED
AUTO MODE + TARGET	FLOWER SPEED	FANS POSITION	TARGET



Studio Due L.D. s.r.l.

Art: 9305

Name: SPACE FLOWER

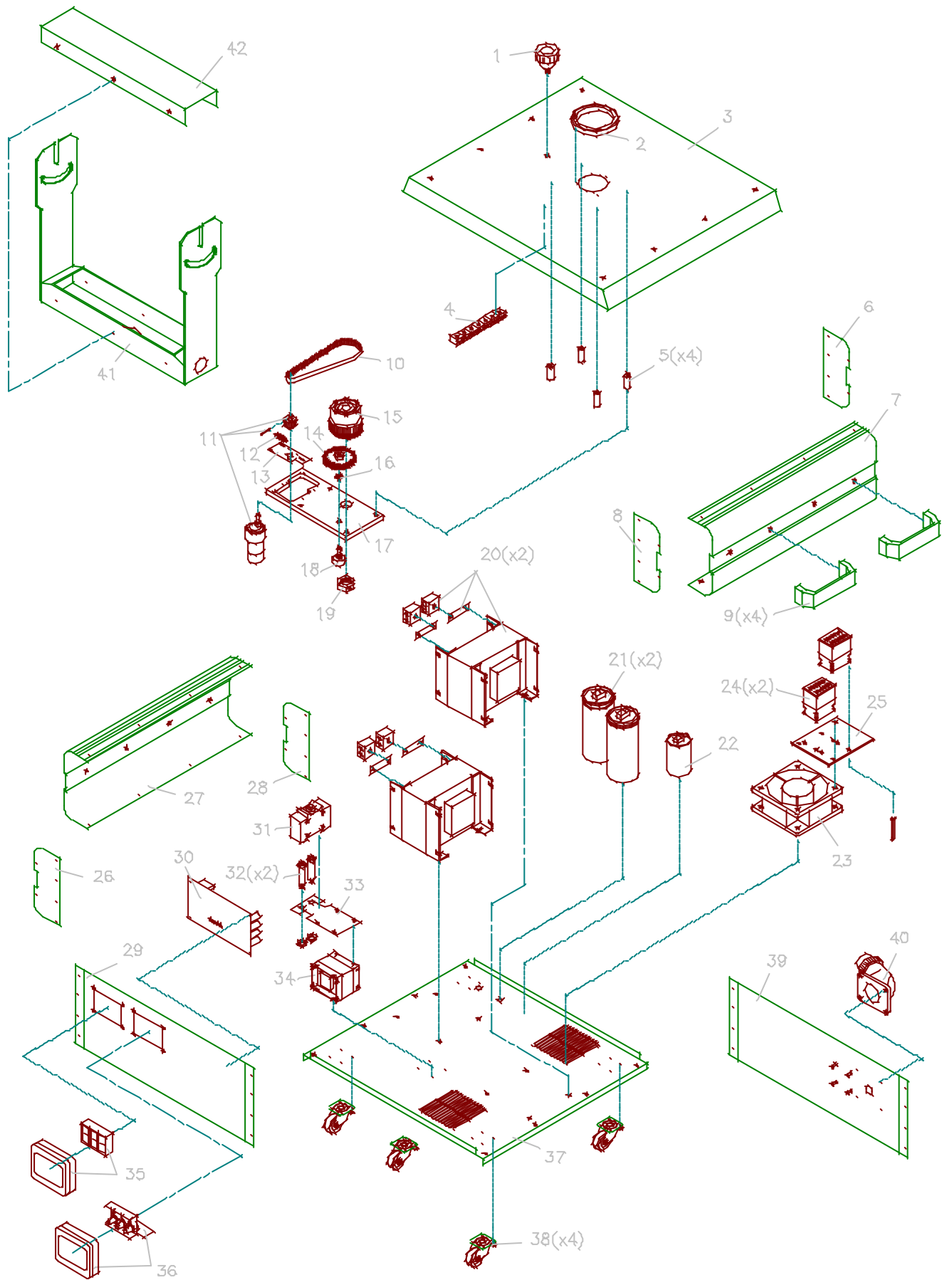


Studio Due L.D. s.r.l.

Art: 9305

Name: SPACE FLOWER

Ref: C/Head



Studio Due L.D. s.r.l.

Art: 9305

Name: SPACE FLOWER

Ref: A/Base B/Bracket

<b>SpaceFlower art. 9305</b>		
<b>N°</b>	<b>Parts Description</b>	<b>Code Number</b>
<b>REF: A/BASE</b>		
1	Pan Lock	SDM80420010
2	Oil Seal	SDM80320010
3	Top Cover base	SDM93050010
4	Connector	SDM80210030
5	Spacers 15x35	SDM80401260
6	Rear lateral cover "a"	SDM93050020
7	Lateral base "a"	SDM93050030
8	Front lateral cover "a"	SDM93050020
9	Handles	SMD90100010
10	Belt 140XL	SDM85501400
11	Motor RH158-100 complete	SDS65930520
12	Spiral spring	SDM80500010
14	Potentiometer gear	SDM84100020
15	Pan driven belt	SDS65930510
17	Pan plate assembling	SDM90000040
18	Pan potentiometer	SDE23045000
19	Pan driven stop nut	SDM80700010
20	Magnetic ballast 1500 watt	SDE28741200
21	Power factor corrector condenser	SDE25000030
22	Power factor corrector condenser	SDE25000010
23	Fan 120x120	SDE10812000
24	Electromagnetic switch	SDE34300020
25	Electromagnetic switch fixing plate	SDM93050170
26	Front lateral cover "b"	SDM93050020
27	Lateral base "b"	SDM93050030
28	Rear lateral cover "b"	SDM93050020
29	Front base cover	SDM93050040
30	Electronic board	SDS62000061
31	Fuses holder	SDM80200040
33	Fuses holder fixing plate	SDM93050180
34	Voltage transformer	SDE28801500
35	Fuses box	SDS65930540
36	Control box	SDS65940215
37	Lower cover base	SDM93050050
38	Wheels	SDM80650010
39	Rear base cover	SDM93050060
40	Power in connector	SDE35300010
<b>REF: B/BRACKET</b>		
41	Bracket	SDM93050070
42	Superior bracket cover	SDM93050080
<b>REF: C/HEAD</b>		
43	Top head cover	SDM93050090
45	Lamp Nut	SDM80400070
46	Lamp fixing plate	SDM80400090
47	Lamp shaft extension "a"	SDM80400080
48	Teflon square piece	SDM80300030
49	Lamp STI 3000W	SD022225000
49/A	Lamp shaft extension "c"	SDM80400101
50	Lamp shaft extension "b"	SDM80400100
51	Teflon bar	SDM80300080
52	Coupling motor bar	SDM80350010

53	Motor fixing plate	SDM93050120
54	Motor RH-158-75	SDE41007510
55	Fan 150x150	SDE10815010
56	Mirror reflector	SDM93050140
57	Igniter	SDS65930550
58	Base-head power in connector	SDS90003510
59	Safety lamp switch	SDE34201600
60	Thermal switch	SDE34100850
61	Teflon rectangular piece	SDM80300090
62	Box head	SDM93050130
63	Knob	SDM80420010
64	Motor for rotation mirror reflector	SDE41002130
64/A	Pulley	SDM80400020
65	Fan grille	SDM80601500
67	Lens fixing flange	SDM93050100
68	Lens	SDO10120010