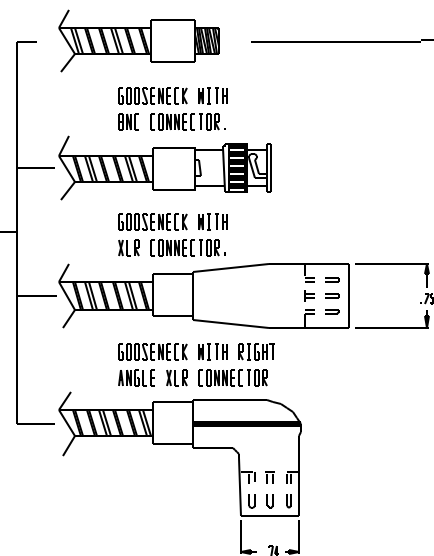
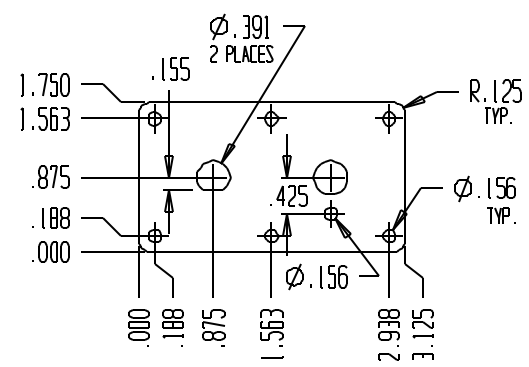


STANDARD CHASSIS FOR
PERMANENT MOUNTING
OF GOOSENECK WITH A
3 POSITION (WHITE/OFF/RED)
ROCKER SWITCH.

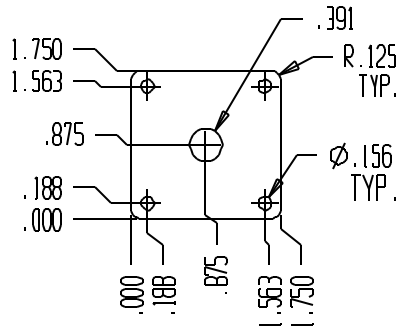
GOOSENECK WITH THREADED END (PERMANENT MOUNT
TYPE), THREADED FOR 3/8-32 X 5/16" THREAD,
PROVIDED WITH NUT, WAVE WASHER, LOCKWASHER,
AND GROUND LUG.



CHASSIS MOUNTING



MP II



MP

CAE Inc, 10087 Industrial Dr Hamburg MI, 48139,
Phone, (810) 231-9373 Fax, (810) 231-1631

All designs, construction and other disclosures set forth
herein are the property of CAE Inc. and such information
is imparted to you in confidence. In accepting this
information you agree not to reproduce it, to manufacture
it, disclose it, or have it manufactured in whole or in part
without written permission of CAE Inc.

LITLITE LED SERIES BLOCK DIAGRAM

POSSIBLE CONFIGURATIONS OF
LED LIGHTS AND MOUNTING