

Single Pole Weatherproof Lift Covers

These new, ASSEMBLED IN USA, weatherproof covers are an addition to Hubbell's current offering of Single Pole Series 16 devices and accessories. They are available in the eight standard single pole colors, Black, White, Green, Red, Blue, Brown, Orange and Yellow as well as Clear.

The cover design fully protects the single pole device from water ingress, whether the device is mounted to the front of a panel or from the inside. With the cover closed the devices carry a UL 3R rating. While in use with Hubbell Single Pole devices, the covers successfully passed the UL 4X hosedown test. Additionally, they meet the 1000 repetition hinge cycling requirement found in UL 1640 for temporary power devices.

The covers are suitable for use with all styles of male and female panel mount receptacles and inlets from Hubbell and from other major manufacturers.

FEATURES

- cULus Listed
- Passes 1000 repetition hinge cycling test for UL1640 and UL498 applications
- Impact and UV resistant construction
- Corrosion resistant stainless steel spring and hinge pin
- Suitable for use on all Series 16 devices mounted inside or outside a panel
- High visibility color matched covers for easy identification or clear for see through cover convenience
- Integral flange gasket
- ASSEMBLED in USA

APPLICATIONS



- Stage/studio power
- Portable power distribution
- Lighting
- "On-location" filming
- Carnivals
- Theme parks



SPECIFICATIONS

- HBLNCxx series: PBT gray housing with nylon cover
- HBLNCaxx series: Nylon housing and cover
- HBLNCC: Polycarbonate clear housing and cover
- Hinge Pin and Spring: stainless steel

STANDARDS/LISTINGS/VERIFICATIONS

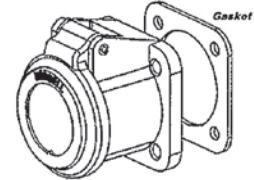
- cULus Listed to UL standard 1691, C22.2 #1691 (revised 2/2012)
- UL 498 Sec. SB6.3 Cycling test (1000 cycles)
- UL 50E/C22.2 No. 94.2, Sec. 8.3
UL 50E/C22.2 No. 94.2, Sec. 8.6
- UL 1640 Sec. 7.6
- UL Enclosure Types 3R, 3RX, 12 when cover closed
UL Enclosure Types 3R, 3RX, 4X, 12 when used with Hubbell Series 16 Single Pole Devices



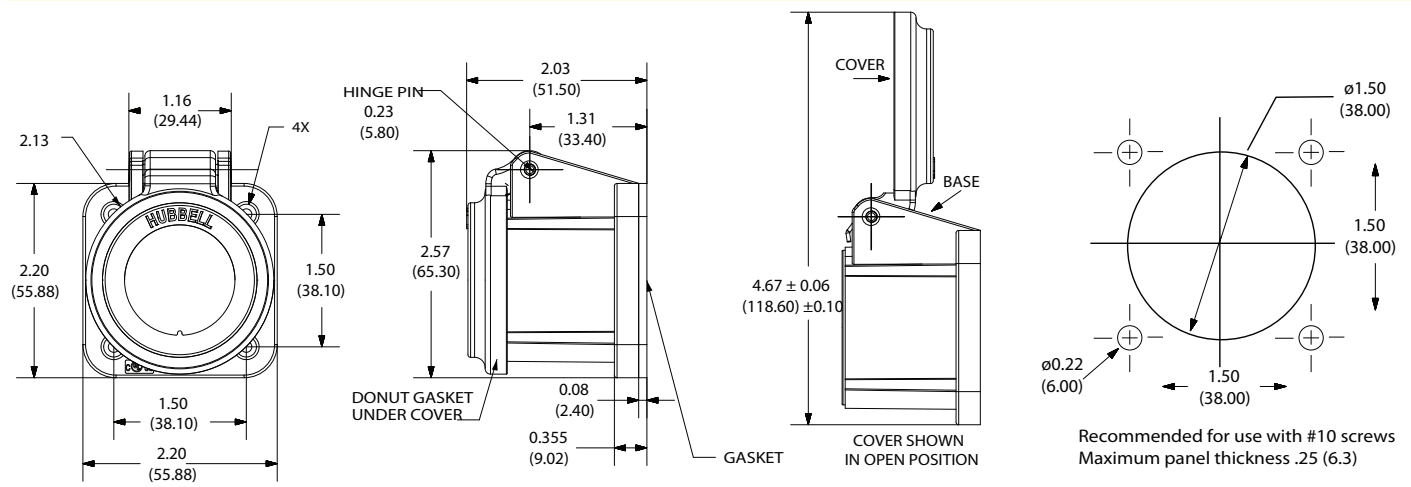


Single Pole Weather Protective Lift Covers

Color Caps Gray Bodies		All One Color Caps and Bodies	Clear Cap and Body		
Black	HBLNCBK	Black	HBLNCABK	Clear	HBLNCC
Blue	HBLNCBL	Blue	HBLNCABL		
Brown	HBLNCBN	Brown	HBLNCABN		
Green	HBLNCGN	Green	HBLNCAGN		
Orange	HBLNCO	Orange	HBLNCAO		
Red	HBLNCR	Red	HBLNCAR		
White	HBLNCW	White	HBLNCAW		
Yellow	HBLNCY	Yellow	HBLNCAY		



Dimensions in inches (mm)



Recommended for use with #10 screws
Maximum panel thickness .25 (6.3)

Lift Covers are Suitable for Use with

Panel Mount Receptacles, Stud Type

Description	Receptacle Type	Through Hole Mounting	Threaded Mounting Holes
400A Panel Mount, thermoplastic elastomer, mates with 300 and 400A plugs	Female	HBLFRS xx	HBLFRSC xx
	Male	HBLMRS xx	HBLMRSC xx



Also Available



Panel Mount Receptacles, Double Set Screw

Description	Receptacle Type	Catalog Number
400A Panel Mount, thermoplastic elastomer, cable size #4 - 4/0, mates with 300 and 400A plugs	Female	HBLFR xx
	Male	HBLMR xx



Receptacles, Bus Bar Mount

Description	Receptacle Type	Catalog Number
400A Mount, thermoplastic elastomer, mates with 300 and 400A plugs	Female	HBLFRB xx
	Male	HBLMRB xx



Hubbell's Single Pole connectors are made from a specially formulated material that resists cracking in cold, hot or oily conditions as well as any other harmful environments. The connectors have been designed so they are easy to assemble, requiring no special tools. The products are UL Enclosure Type 3R, 4X and 12K Rated.

xx = Color: BK (Black), BL (Blue), BN (Brown), GN (Green), O (Orange), R (Red), W (White) and Y (Yellow).



www.hubbell-wiring.com

Hubbell Incorporated (Delaware)
40 Waterview Drive • Shelton, CT 06484
Phone (800) 288-6000 • FAX (800) 255-1031



Distributor:
Phone: 407-857-8770
Fax: 407-857-8771
Email: sales@techni-lux.com
www.techni-lux.com