

HMI[®] Metal Halide Lamp Family



Key Features & Benefits

- High intensity light simulates daylight color temperature of 6000K with a CRI >90
- Enhanced safety with UV-Stop (UVS) feature on select HMI single-end lamps
- Stronger, longer life with multiple moly-foils in seal design
- Mechanically robust with eXtreme Seal (XS) technology, up to 450°C at the pinch seal
- Capable of hot restrike ignition
- High color stability with average changes in color temperature during lamp life only 1° K/hr
- Dimmable down to 40% with stable color using many electronic ballasts
- High energy efficiency providing up to 100 LPW

For over 50 years, OSRAM HMI lamps have been meeting the toughest demands of the film and TV industry. HMI lamps simulate daylight color temperature of 6000K and have excellent color rendering and photometric integrity throughout their life. OSRAM received an OSCAR[®] in 1987 and a PRIMETIME EMMY[®] Engineering award in 2007 for the invention and continuous improvement of HMI lamp technology. As a result, the HMI lamp family continues to be an integral part of film sets around the world. HMI lamps are available in single or double end with wattages from 200 to 24,000.

In 2013 OSRAM introduced the UVS family of single-end lamps, which added UV-Stop to the outer quartz to provide enhanced safety for those on the set. Recognizable by their orange base, HMI UVS lamps block most harmful UV radiation while it simulates the same daylight color temperature with performance customers expect from OSRAM lamps.

This UV-Stop has been incorporated in additional types, such as the new HMI DIGITAL and HMI STUDIO families of single-end lamps. HMI DIGITAL lamps approximate daylight (6000K) color temperature that designers know and love, but now modified for increased performance and reduced flicker on newer, high frequency ballasts. HMI STUDIO is an innovative new family of HMI lamps with CTO in the outer quartz with a warm color temperature (2800K to 3400K inside of a fixture) that closely matches

that of tungsten light sources. Using many of the same components as the HMI DIGITAL lamps, they also emit no ultra-violet radiation.

Lastly, the HMI EVENT series of lamps are used primarily for exhibitions and auto shows. Identified with their black base, they have improved heat resistance for high thermal requirements, along with a tighter range of color temperatures. Similar to the orange base lamps, they also incorporate UV-Stop in their outer quartz.

Product Offering

Type	Wattage Range	Notes
Single-End DIGITAL	200W-4000W*	Cool white, contains UV-Stop, designed for high-speed ballasts
Single-End STUDIO	200W-800W*	Warm white, contains UV-Stop, designed for high-speed ballasts
Single-End EVENT	575W-1200W	Contains UV-Stop
Single-End Other	6000W-18,000W	—
Double End	575W-24,000W	—

*Higher wattages planned

Application Information

Applications

- Film, TV and video productions
- Industrial solar simulation
- Lighting for major events, exhibition and auto shows
- Professional photography
- Stage lighting (theatre, opera, etc.)

Typical Fixtures

- Follow and moving-head spotlights
- Fresnel luminaires
- PAR/open luminaires
- Soft and flood lighting

Application Notes

1. These lamps may emit ultraviolet (UV) radiation and operate at high pressure. Before use, read the complete warnings accompanying the product.
2. HMI lamps may only be operated in enclosed lamp fixtures specially constructed for that purpose.
3. HMI lamps are available in single end and double end.
4. Use electronic ballasts for the best performance.

Disposal

HMI lamps contain mercury. When disposing of spent lamps, always consult federal, state, local and provincial hazardous waste disposal rules and regulations to ensure proper disposal.



Ordering Information

Item Number	Ordering Abbreviation	UV-Stop	Watts (W)	Volts (V)	Current (Amps)	Base	Color Temp (K)	CRI	Arc Gap (mm)	Lumens (lm)	Average Rated Life (hrs)	Operating Position
SINGLE END												
55072	HMI DIGITAL 200W	Yes	200	69	2.9	GZY9.5	6900 ¹	>90	5	16,000	200	Any
55176	HMI STUDIO 200W	Yes	200	69	2.9	GZY9.5	3600 ¹	>90	5	10,800	200	Any
55073	HMI DIGITAL 400W	Yes	400	75	5.3	GZZ9.5	6700 ¹	>90	6	32,500	650	Any
55177	HMI STUDIO 400W	Yes	400	75	5.3	GZZ9.5	3600 ¹	>90	6	21,500	500	Any
55074	HMI DIGITAL 575W	Yes	575	94	6.1	G22	6400 ¹	>90	7	49,000	1000	Any
55178	HMI STUDIO 575W	Yes	575	99	5.8	G22	4050 ¹	>90	7	32,400	500	Any
53974	HMI 575 EVENT	Yes	575	95	7	G22	6000	>90	7	49,000	1000	Any
55076	HMI DIGITAL 800W	Yes	800	95	8.4	G22	6300 ¹	>90	7	69,000	1000	Any
55179	HMI STUDIO 800W	Yes	800	97	8.3	G22	3850 ¹	>90	7	47,300	500	Any
55077	HMI DIGITAL 1200W	Yes	1200	100	12	G38	6800 ¹	>90	10	110,000	1000	Any
53975	HMI 1200W EVENT	Yes	1200	100	13.8	G38	6000	>90	10	110,000	1000	Any
55078	HMI DIGITAL 1800W	Yes	1800	140	12.9	G38	6500 ¹	>90	10	165,000	750	Any
55182	HMI DIGITAL 2500W	No	2500	115	25.6	G38	6000 ¹	>90	14	240,000	500	Any
54321	HMI 4000W/SE/XS	No	4000	200	24	G38	6000	>90	20	380,000	500	Any
54099	HMI 6000W/SE/XS	No	6000	123	55	GX38	6000	>90	23	600,000	500	s135 ²
54464	HMI 9000W/SE/XS	No	9000	160	56	GX38	6000	>90	26	875,000	400	s135 ²
54113	HMI 12000W/SE/XS	No	12,000	160	84	GX38	6000	>90	27	1,150,000	500	s135 ²
54324	HMI 18000W/SE/GX51	No	18,000	225	88	GX51	6000	>90	44	1,600,000	350	s135 ²
DOUBLE END												
54313	HMI 575W/DXS	No	575	95	7	SFc10-4	6000	90	7	49,000	1000	Any
55139	HMI 1200W/DXS	No	1200	100	13.8	SFc15.5	6000	90	10	110,000	1000	Any
54068	HMI 2500W/S/XS	No	2500	115	25.6	SFa21	6000	90	14	240,000	500	p30 ²
54265	HMI 2500W/DXS	No	2500	115	25.6	SFa21	6000	90	14	240,000	500	p30 ²
54314	HMI 4000W/DXS	No	4000	200	24	SFa21	6000	90	34	380,000	500	p15 ²
54315	HMI 6000W/DXS	No	6000	123	55	S25.5	6000	90	21	570,000	500	p15 ²
54316	HMI 12000W/DXS	No	12,000	160	84	S30	6000	90	25	1,150,000	500	p15 ²
54213	HMI 18000W/DXS	No	18,000	225	88	S30	6000	90	44	1,700,000	500	p15 ²
54325	HMI 24000W/DXS	No	24,000	280	86	S30	6000	90	50	2,300,000	500	p15 ²

¹The color temperature will vary based on the ballast used and its operating frequency.

²Operating Positions: p = horizontal position, s = vertical position with base down, p or s is followed by the number of degrees the lamp can be tilted from the original axis position to maintain optimal performance.

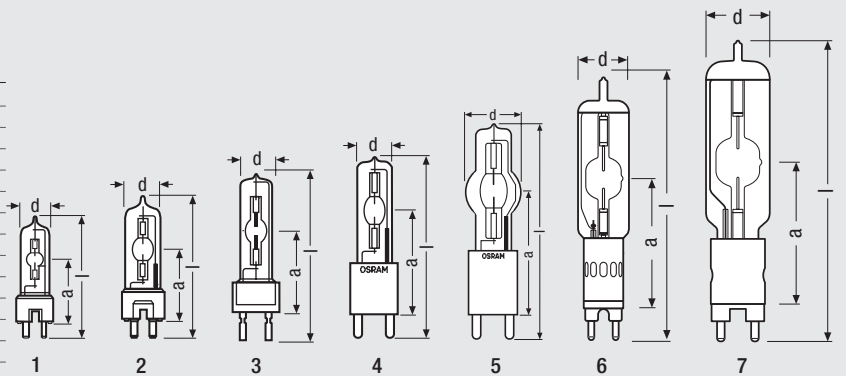
Ordering Guide

HMI	/	1200W	/	SE	/	XS
HMI Lamp		Wattage		SE: Single End S: Short Double End DXS: Double End with eXtreme Seal technology		XS: eXtreme Seal technology

Dimensions

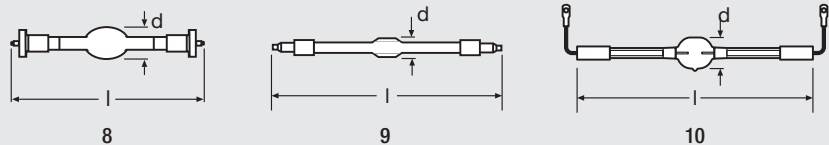
SINGLE END

Ordering Abbreviation	Figure	MOL (l) mm	Diameter (d) mm	LCL (a) mm
HMI 200W	1	80	19.2	39
HMI 400W	2	110	23	60
HMI 575W	3	145	30	70
HMI 800W	3	145	30	70
HMI 1200W	4	200	40.4	107
HMI 1600W	3	175	38	107
HMI 1800W	4	200	40.4	107
HMI 2500W	4	225	60	127
HMI 4000W	5	250	75	142
HMI 6000W	6	360	75	210
HMI 9000W	6	380	80	210
HMI 12000W	6	455	100	255
HMI 18000W/SE GX51	7	495	100	260



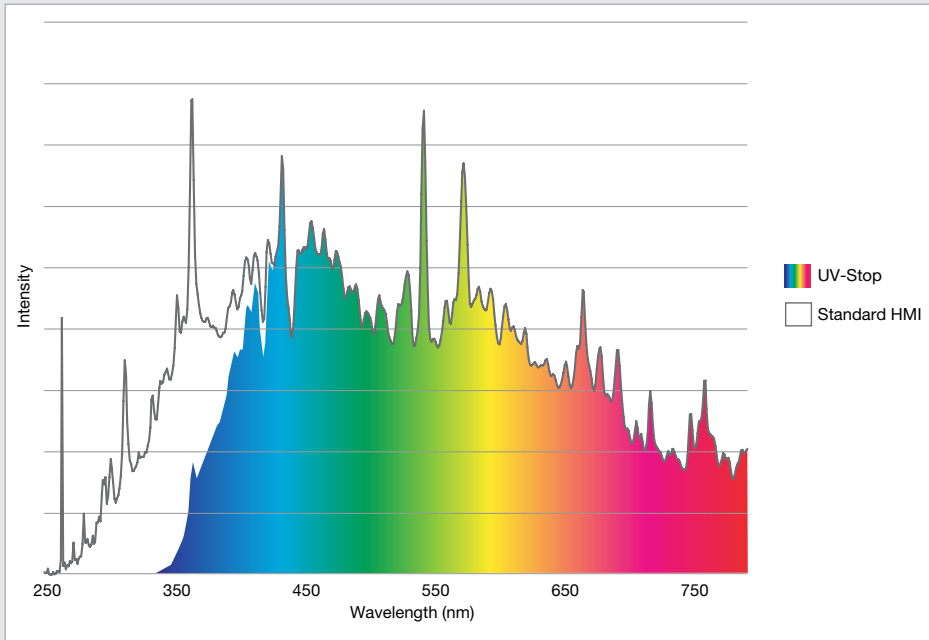
DOUBLE END

Ordering Abbreviation	Figure	MOL (l) mm	Diameter (d) mm
HMI 575W/DXS	8	135	21
HMI 1200W/DXS	8	220	27
HMI 2500W/S/XS	9	210	32
HMI 2500W/DXS	9	355	32
HMI 4000W/DXS	9	405	36
HMI 6000W/DXS	10	450	54
HMI 12000W/DXS	10	470	64
HMI 18000W/DXS	10	500	77
HMI 24000W/DXS	10	500	83



Technical Information

Spectral Power Distribution
800 watt version shown as an example



OSRAM SYLVANIA Inc.

OSRAM Americas:

200 Ballardvale Street
Wilmington, MA 01887 USA
877-636-5267
www.osram.us

OSRAM SYLVANIA Inc.

Entertainment:

129 Portsmouth Avenue
Exeter, NH 03833 USA
United States: 888-677-2627
Canada: 888-677-2627
Mexico: 525-899-1807
www.osram.us

Distributor:



Phone: 407-857-8770
Fax: 407-857-8771
Email: sales@techni-lux.com
www.techni-lux.com

OSRAM and HMI are registered trademarks of OSRAM GmbH.
All other trademarks are those of their respective owners.
Specifications subject to change without notice.

© 2019 OSRAM SYLVANIA Inc.

OSRAM