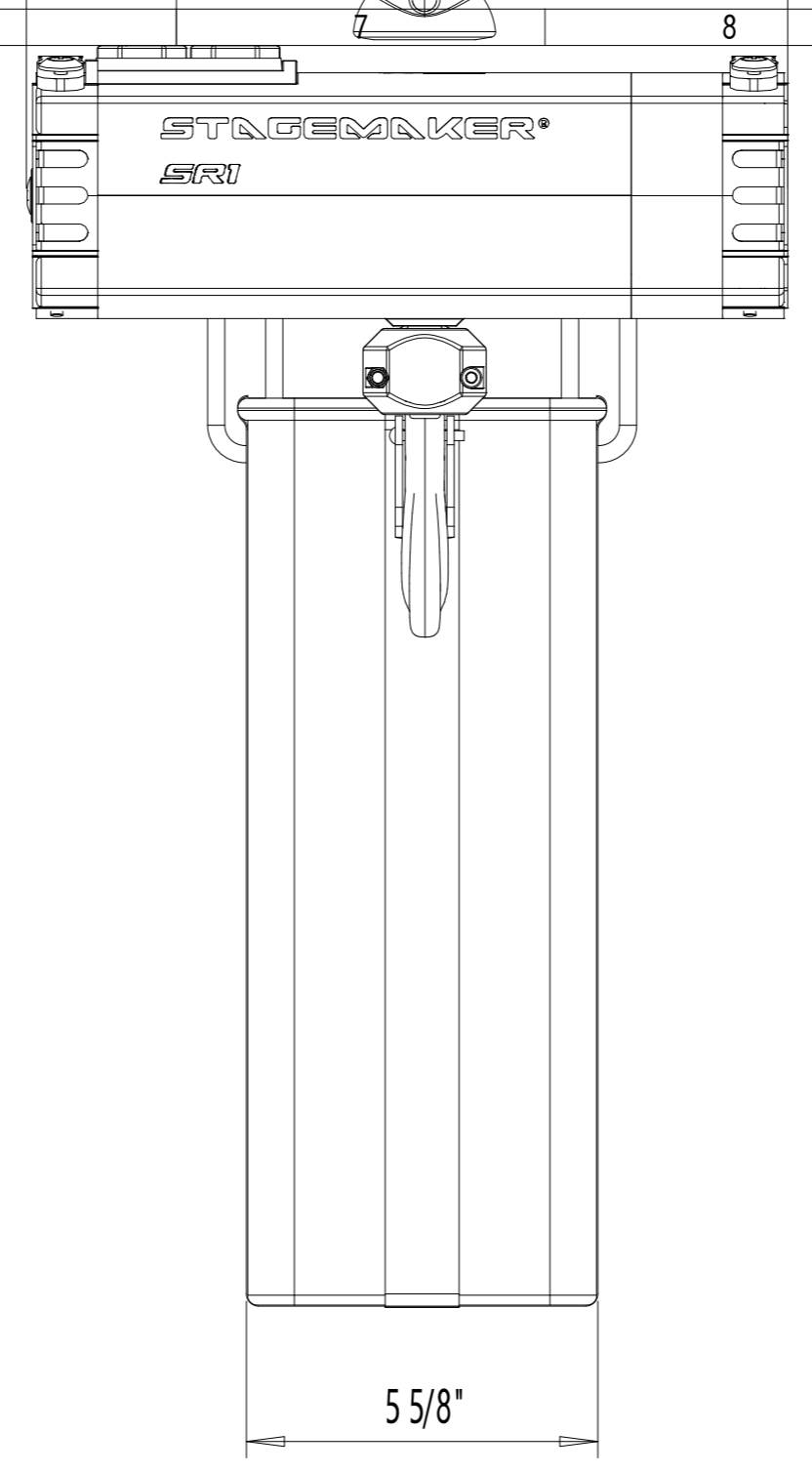
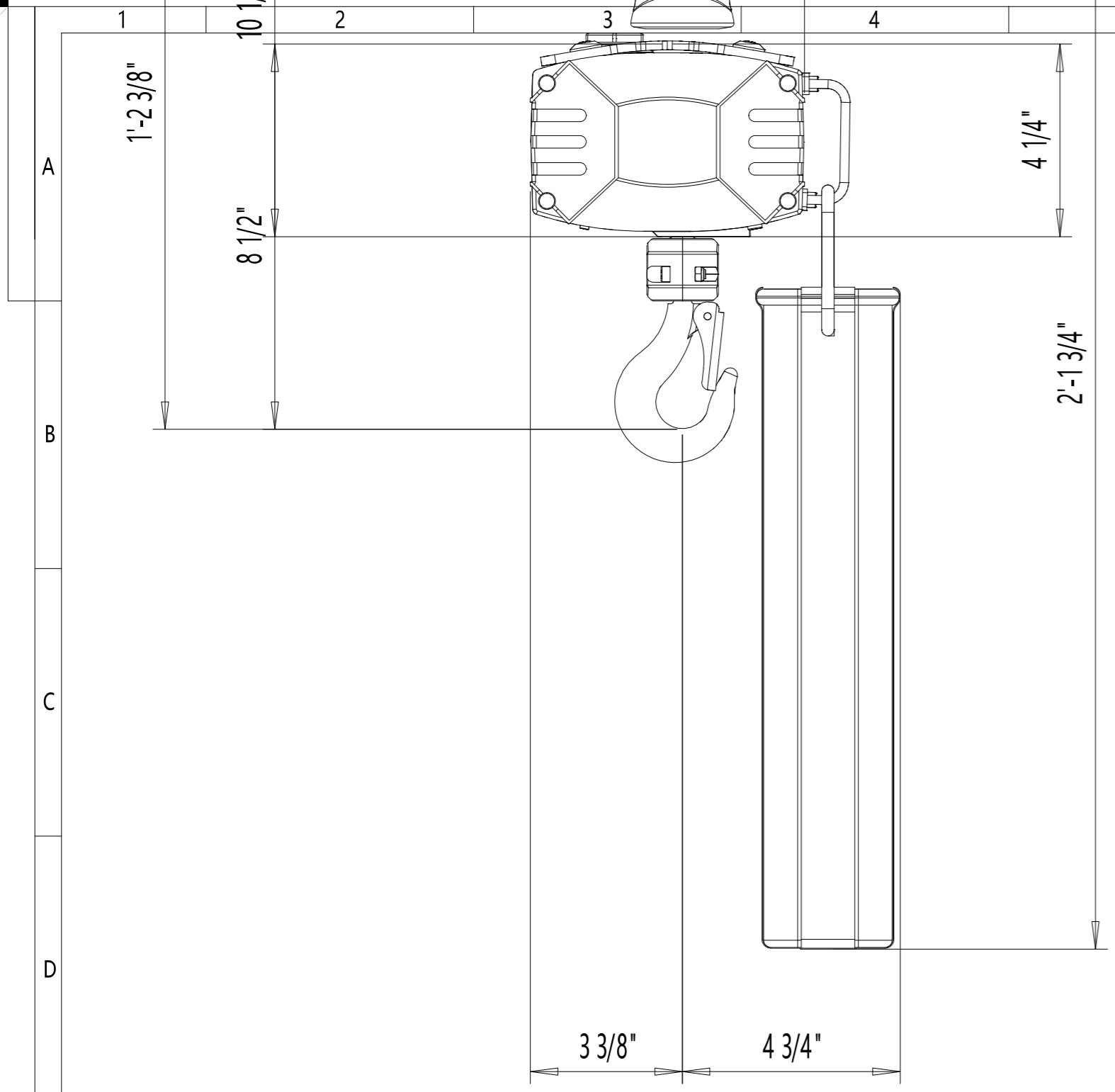


This document is the absolute property of RBM. This document must not be copied  
 without the written permission of RBM.  
 The scope of the information disclosed to a third party nor be used for any unauthorized  
 purpose. Concomitantly will be prosecuted.

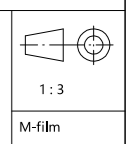


REV	CHANGE DESCRIPTION	ECN	DATE	REVISED BY	APPROVED BY

TECHNICAL DATA	
LOAD	: 1/4 ton
LIFTING HEIGHT	: 65 FT
HOISTING SPEED	: 16 ft/min
WEIGHT OF HOIST	: 43 lbs
HOIST GROUP	: H3
MAIN / CONTROL VOLTAGE	: 208 / 115 V; 60 Hz



Pos	Amount	Description	Specification
ACCEPTED BY:	gonzaal/USA	06/25	DAS / M@ngo
COMPANY:	Design	Date	Dept Vx proj
DATE:	StageMaker		
	MO-CH025-3P		
	gonzaal-000001-1-SR01B04 10253-O		



1:3

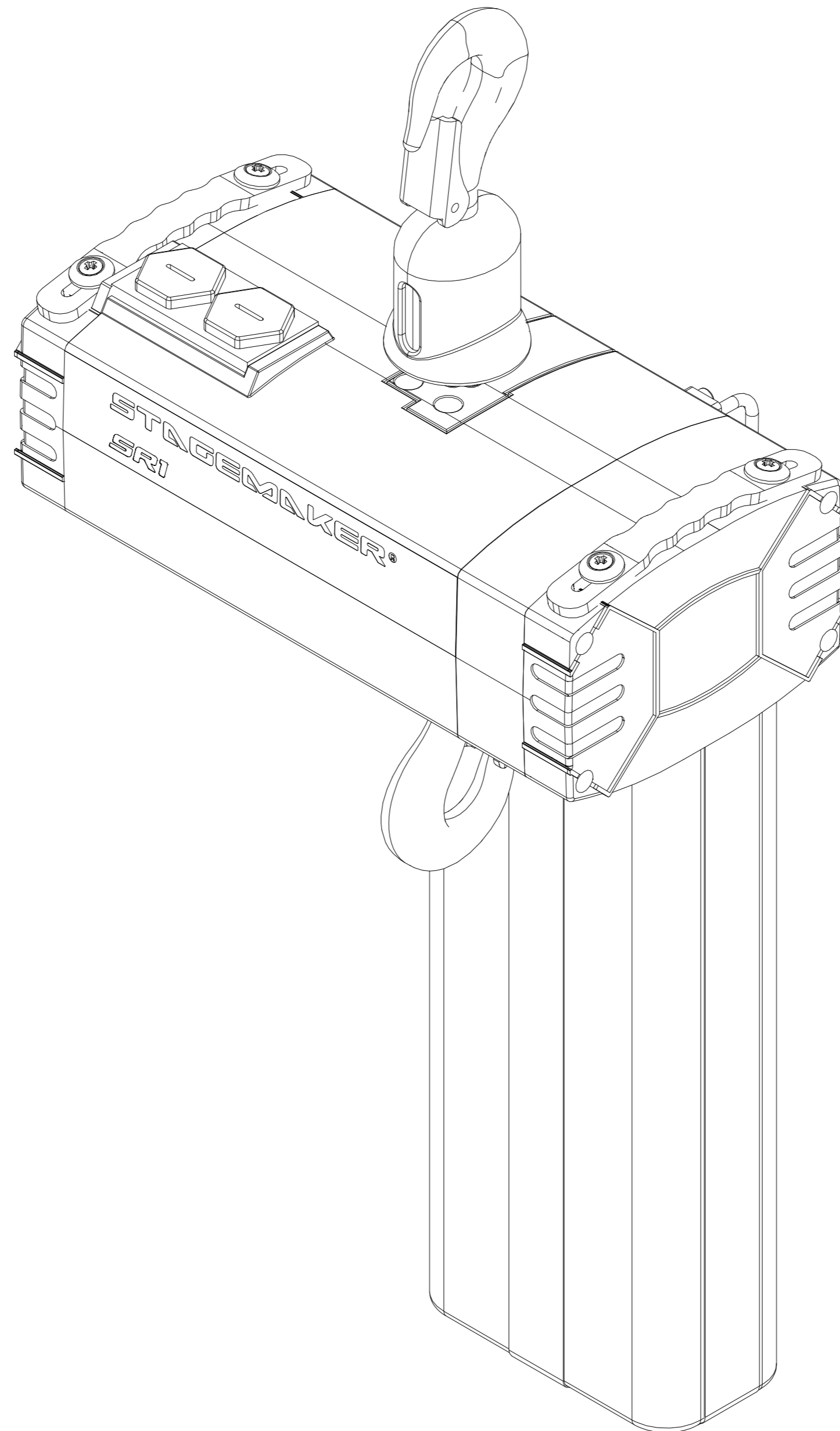
M-film

Issue

1 2 3 4 5 6 7 8 9 10 11 12

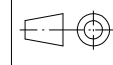
REV	CHANGE DESCRIPTION	ECN	DATE	REVISED BY	APPROVED BY
-----	--------------------	-----	------	------------	-------------

A  
B  
C  
D  
E  
F  
G  
H



This document is the absolute property of R&M. This document must not be copied without the written permission of R&M. The contents thereof must not be disclosed to a third party nor be used for any unauthorized purpose. Concomitantly will be prosecuted.



Pos	Amount	Description	Specification		
ACCEPTED BY:	gonzaal/USA	06/25	DAS / M@ngo		 1:2.5 M-film
COMPANY:	Design	Date	Dept		
DATE:	StageMaker				
	MO-CH025-3P				
	gonzaal-000001-1-SR01B0410253-O				Issue

1 2 3 4 5 6 7 8 9 10 11 12