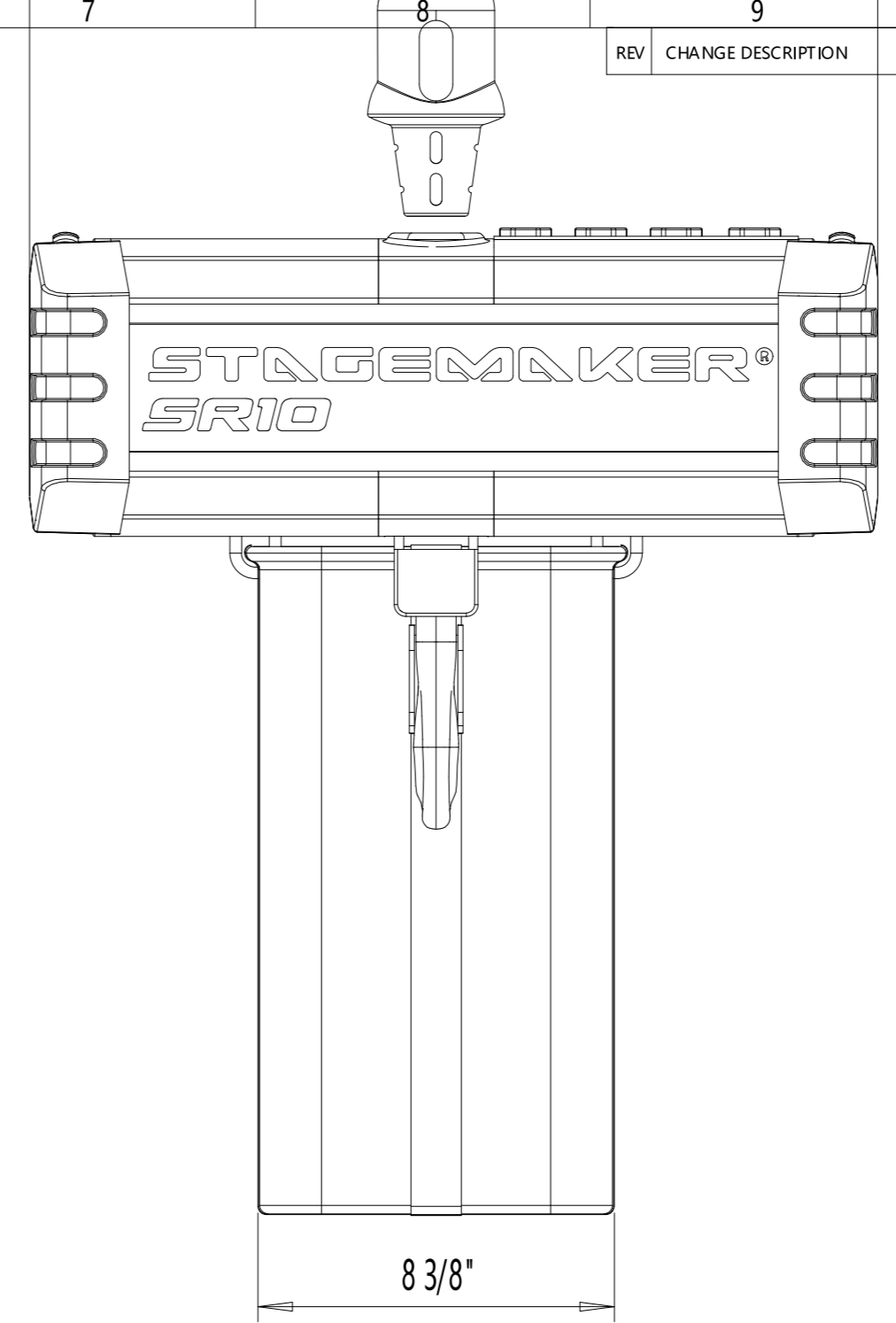
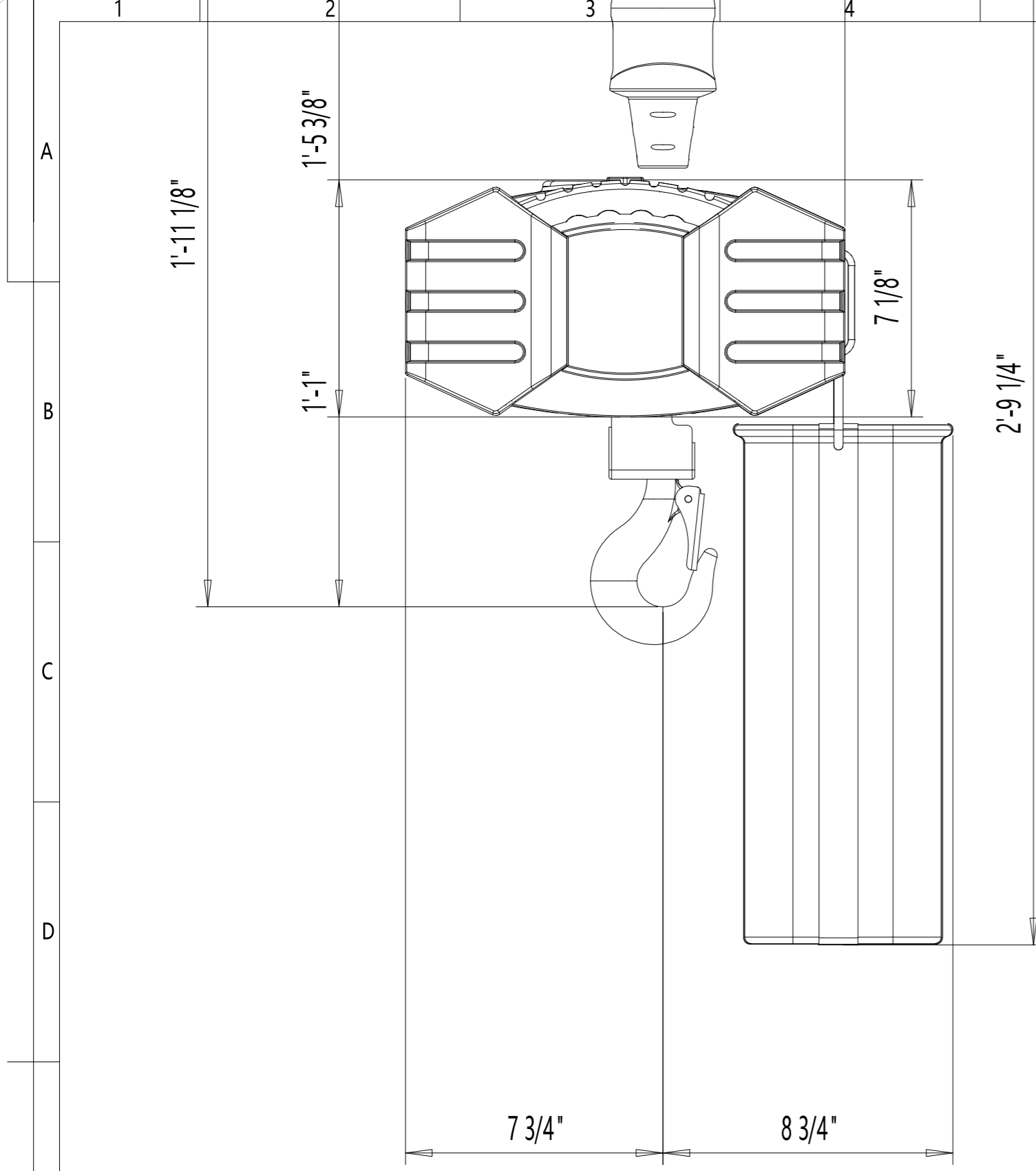


This document is the absolute property of R&M. This document must not be copied
 without the written permission of R&M.
 The information contained herein is not to be disclosed to a third party nor be used for any unauthorized
 purpose. Contravention will be prosecuted.

REV	CHANGE DESCRIPTION	ECN	DATE	REVISED BY	APPROVED BY

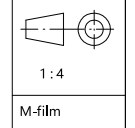


TECHNICAL DATA

LOAD	: 1 ton
LIFTING HEIGHT	: 65 FT
HOISTING SPEED	: 16 ft/min
WEIGHT OF HOIST	: 152 lbs
HOIST GROUP	: H3
MAIN / CONTROL VOLTAGE	: 208 / 115 V; 60 Hz

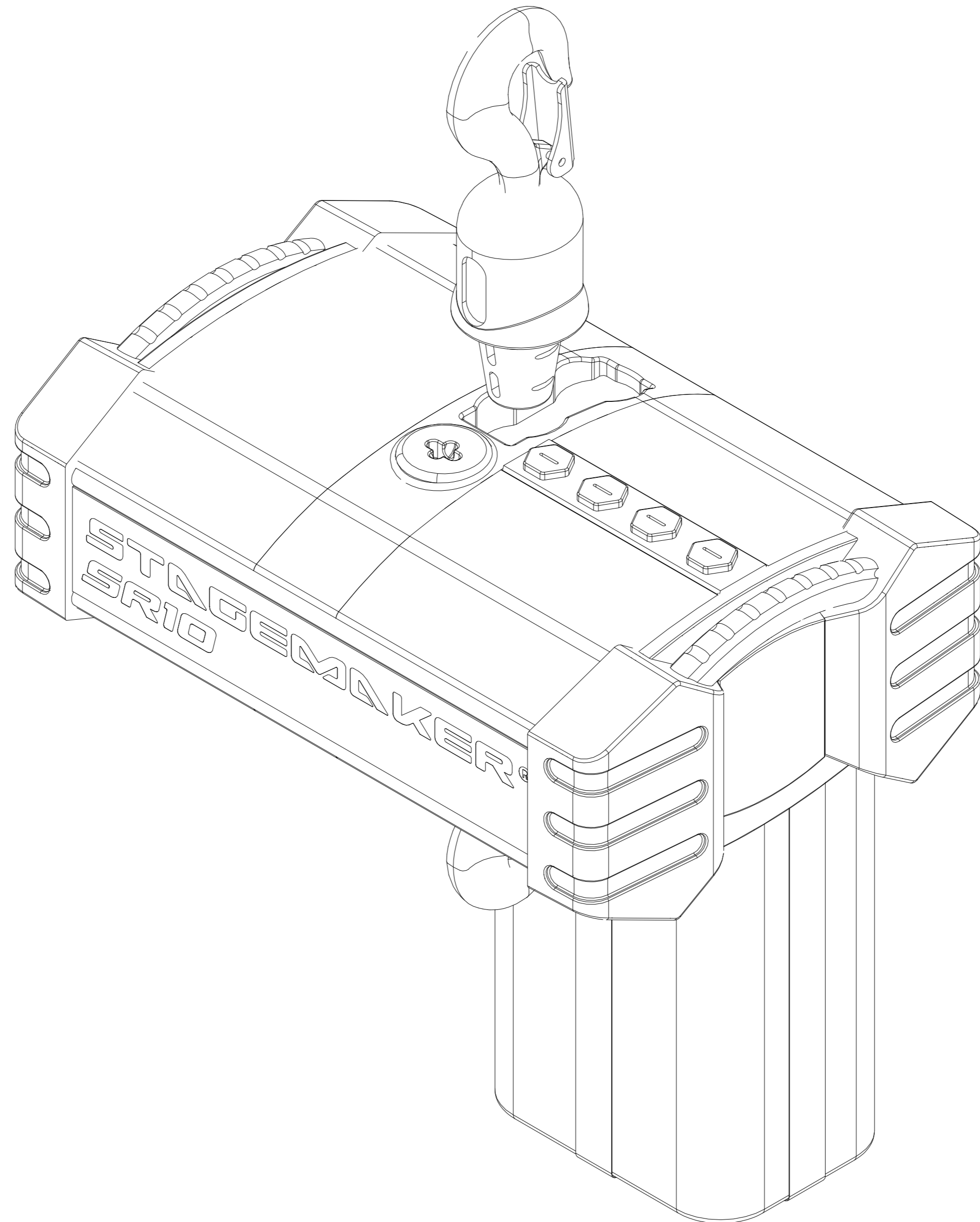


Pos	Amount	Description	Specification
ACCEPTED BY:	gonzaal/USA	06/25	DAS / M@ngo
COMPANY:	Design	Date	Dept Vx proj
DATE:	StageMaker		
	MO-CH100-3P		
	gonzaal-000001-1-SR10B0411004-O		



Issue

REV	CHANGE DESCRIPTION	ECN	DATE	REVISED BY	APPROVED BY
-----	--------------------	-----	------	------------	-------------



A
B
C
D
E
F
G
H

A
B
C
D
E
F
G
H

This document is the absolute property of R&M. This document must not be copied without the written permission of R&M. The contents thereof must not be disclosed to a third party nor be used for any unauthorized purpose. Concomitantly will be prosecuted.



Pos	Amount	Description	Specification
ACCEPTED BY:	gonzaal/USA	06/25	DAS / M@ngo
COMPANY:	Design	Date	Dept Vx proj
DATE:	StageMaker		
	MO-CH100-3P		
	gonzaal-000001-1-SR10B0411004-O		