

PAR 38

Product Code

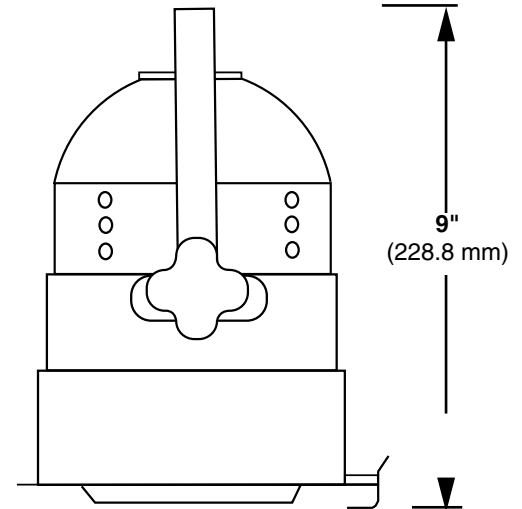
PA-PAR38B Black

PA-PAR38P Polished



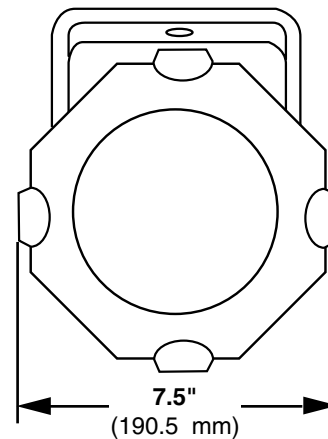
Product Description:

Professional Aluminum Par 38 Can is light weight and a durable design for mobile use or permanent installations. UL Par Cans feature fixed-type aluminum fixtures (1.5 mil. thickness), come complete with power cord with grounded plug, ceramic socket and gel frame.



Product Features and Specifications:

- Color Gel Frame (included 6.5" x 6.5")
- Clip: Fourth Clip has spring to hold gel frame
- E26/27 Socket
- A/C cord and Molded Edison Plug
- Cap safety attached to body
- Reinforced stress points in handle
- UL listed Stage Luminaire 6G58
- LAMP NOT INCLUDED
- 120vAC 60Hz not for residential use
- PAR38 lamps up to 120 watts
- Size: W 7.5" x H 9"
- Material: Spin aluminum housing
- Weight: 2 lbs
- Color: Polish or Powder coat Matte Black Finish



10900 Palmbay Drive, Orlando, FL 32824 U.S.A.
Phone: 407-857-8770 Fax: 407-857-8771
www.techni-lux.com



01/20/15