

New Feature-Rich Leviton/NSI 4-Channel Programmable Dimmer Pack

Offers DMX and Microplex in one unit

Definition:

Leviton/NSI combines cutting edge NSI technology and performance along with both DMX and Microplex control in the new 4-channel Programmable D4DMX Dimmer Pack. It boasts the latest convenience features: Resettable circuit breakers in lieu of fuses and one-button setup of digital DMX addressing via a user-friendly LED panel, eliminating dip-switch settings. Its sturdy metal chassis makes this rugged pack ideal for both stationary and portable applications. In addition to multi-channel DMX and Microplex dimming control, these units can also provide a stand-alone chaser function with 16 pre-programmed patterns.

Features and Benefits:

- Microplex and DMX512 protocols
- Available with DMX on 3-pin or 5-pin XLR receptacles
- Data “in” and “out” provided for easy daisy-chaining of devices
- Resettable circuit breakers (no fuses to change)
- Simple pushbutton DMX addressing makes setup a snap
- Bright LED display for easy, menu-driven programming
- Versatile output channel selector lets you choose the exact number of channels you need
- Clear operation instructions printed on back of unit for ease of use
- 16 Pre-programmed chase patterns with chase speed and chase output level controls.
- Input: 120V, 60Hz (15A Edison Plug)
- Output: 120V, 60Hz, 1200W per channel, 2400W Maximum
- Built-in mounting bracket
- Housed in rugged metal protective chassis
- Shipping weight: 9 lbs.

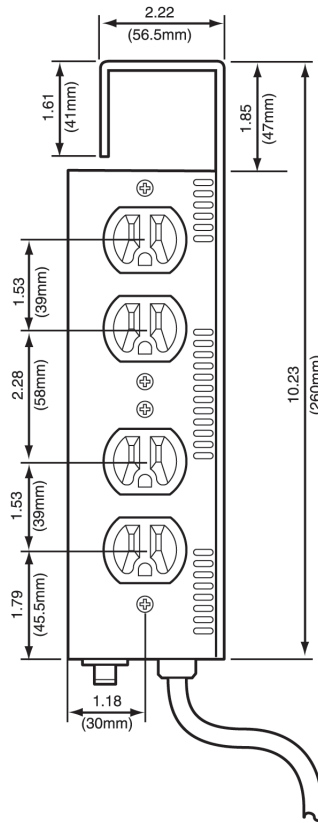
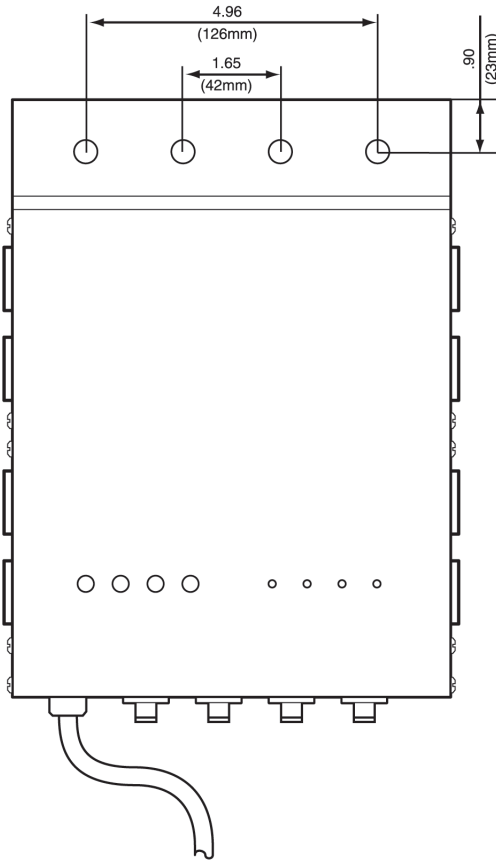
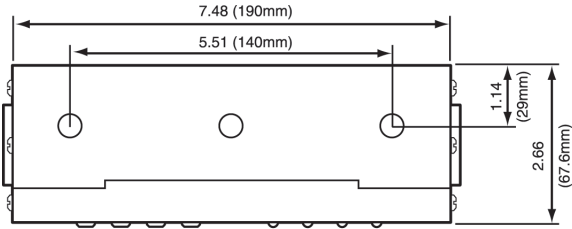


D4-DMX



D4-DMX (side view)

Dimensional Data



Ordering Information:

Cat. No.	Description
D4DMX-MD5	4-Channel Programmable Dimmer Pack with DMX (5-pin) & NSI Microplex
D4DMX-MD3	4-Channel Programmable Dimmer Pack with DMX (3-pin) & NSI Microplex



Leviton/NSI Division

20497 SW Teton Ave., Tualatin, OR 97062

Telephone: 503-404-5500 • FAX 503-404-5600

Info Line: 1-800-996-2276 • Tech Line 1-800-864-2502 • 503-404-5600

www.lms.leviton.com

