

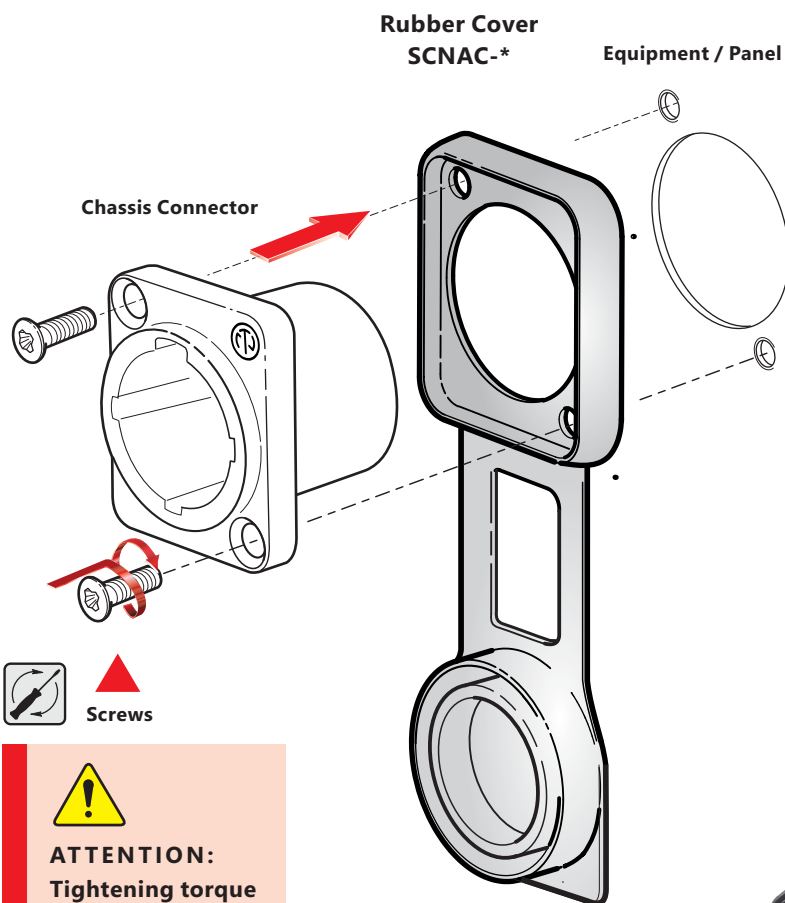


# ASSEMBLY INSTRUCTION

- SCNAC-01 | D-Size Rubber Cover "power in"
- SCNAC-02 | D-Size Rubber Cover "power out"
- SCNAC-03 | G-Size Rubber Cover "power out"
- SCNAC-04 | Combination Rubber Cover "power in"/"power out"

## EXAMPLE OF RUBBER COVER ASSEMBLY

- A Assemble the rubber cover onto the chassis from the rear side as shown.
- B Put the chassis onto the front panel.
- C Tighten the screws.



Screws



**ATTENTION:**  
Tightening torque  
 $M_A = 40 \text{ Ncm}$

### SCNAC-01 D-Size Rubber Cover "power in"



### SCNAC-02 D-Size Rubber Cover "power out"



### SCNAC-03 G-Size Rubber Cover "power out"



### SCNAC-04 Combination Rubber Cover "power in" / "power out"



Find more details on  
[www.neutrik.com](http://www.neutrik.com)



Distributor:



Phone: 407-857-8770

Fax: 407-857-8771

Email: [sales@techni-lux.com](mailto:sales@techni-lux.com)

[www.techni-lux.com](http://www.techni-lux.com)

Neutrik AG LI T: +423 / 237 24 24 F: +423/232 53 93  
 Neutrik Americas Inc. USA T: +1 704 / 972 3050 F: +1 704/438 9202  
 Neutrik (UK) Ltd. UK T: +44 1983 / 811 441 F: +44 1983/811 439  
 Neutrik Vertriebs GmbH DE/NL/AT/DK T: +49 8131 / 280 890 F: +49 8131/280 830

Neutrik France FR T: +33 1/4131 6750 F: +33 1/4131 0511  
 Neutrik Tokyo Ltd. JP T: +81 3/3663 4733 F: +81 3/3663 4796  
 Neutrik Hong Kong Ltd. HK T: +852/2687 6055 F: +852/2687 6052

Draft. Nr.: BDA 643 V1 | Update: 2022-04-08 | Data subject to change without prior notice. © 2022 NEUTRIK®. NEUTRIK® are registered trademark of Neutrik AG. ALL RIGHTS RESERVED.

[www.neutrik.com](http://www.neutrik.com)

**NEUTRIK**