

USER MANUAL

Creeper AQ Low Fog Generator

V1.0

2021/04/21



Creeper AQ PLUS



Creeper AQ

Showven Technologies Co., Ltd.

USER MANUAL

Creepers AQ Low Fog Generator

★Please read this manual carefully before operating this product.

★Warranty card attached in the manual, please keep it well.

▲SAFETY CONSIDERATIONS

- \ Unauthorized repair are prohibited, it may cause serious incident
- \ Make sure power supply in consistent with the rated voltage of the equipment, and the socket must well grounded. Unplug and turn off the machine when not use
- \ CREEPER AQ series machine can be used both indoor and outdoor, with better effect for indoor use. Please try to keep the machine dry
- \ Not use the machine in high temperature
- \ Installed in well ventilated area, ensure at least 50cm space around the machine, cover of the nozzle is forbidden
- \ For adult use only, keep it away from children, fire, inflammable and explosive articles
- \ If the machine fails to work, please stop operation and unplug the machine. Check fog fluid bottle, water tank, fuse, power connection etc. carefully, if can't solve the problem, please contact SHOWVEN or your local SHOWVEN partner for advise
- \ Suggest use SHOWVEN original FX-M fog fluid, other fluid may lead to clog or malfunction
- \ In case of eye contact of fog fluid, please wash it with clean water. If fluid is swallowed immediately look for medical advice
- \ Please do NOT adding any other material such as grease, pigment, gas etc to the fluid bottle or water tank
- \ The device shall not be altered and applied to other use purpose

▲Foreword

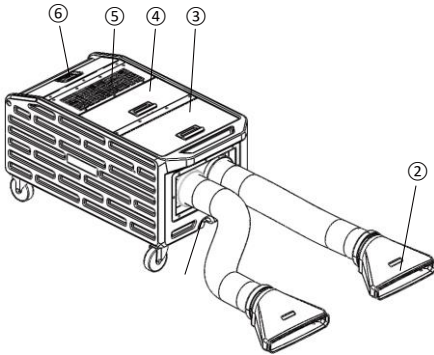
Thanks for choosing SHOWVEN CREEPER AQ series low fog generator. Please read following manual carefully and completely before operating this product. Operate according to instructions is very important for safety, and can elongate the service life of the machine.

▲Technical Specifications

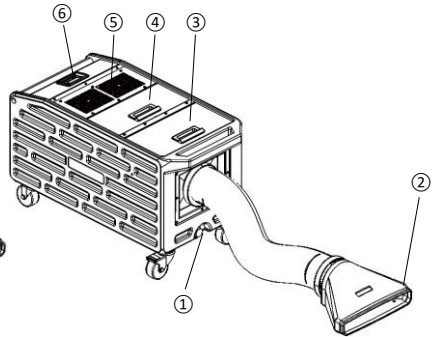
\ Model:	Creepers AQ PLUS	Creepers AQ
\ Dimension:	950×500×540mm	805×390×480mm
\ Weight:	48kg	35kg
\ Voltage:	AC200-240V, 50-60Hz AC100-120V, 50-60Hz	AC200-240V, 50-60Hz AC100-120V, 50-60Hz
\ Work Power:	2500W	2000W
\ Heat-up Time:	Appr. 1-2min	Appr. 1-2min
\ Fluid Tank Capacity:	3.3L	3.3L

\ Water Tank Capacity:	35L	24L
\ DMX-512:	YES	YES
\ Remote control:	YES	YES
\ Output Adjustable:	1-100	1-100
\ Max. Fog Output:	20,000 cfm/min	15000 cfm/min
\ Max. Coverage:	Appr. 400 m ²	Appr. 300 m ²
\ Max. Fluid Consumption:	Appr. 32ml/min	Appr. 32ml/min
\ Max. Water Consumption:	Appr. 500ml/min	Appr. 375ml/min
\ Continuous Output:	YES	YES
\ Fully loaded Output Time:	100+ min	100+ min
\ Consumable:	FX-M Fog Fluid, Water	FX-M Fog Fluid, Water

▲Product Overview



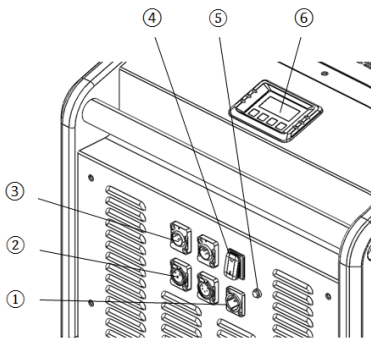
Creeper AQ PLUS



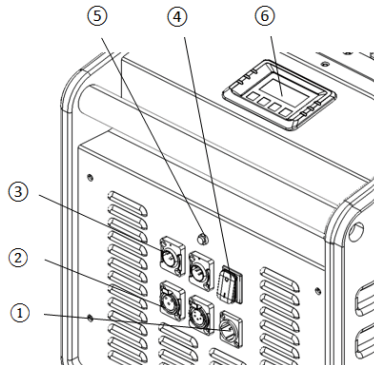
Creeper AQ

1. Drain 2. Fog Output Head 3. Water Tank 4. Fluid Tank 5. Fan 6. Control Panel

▲Control Panel Overview



Creeper AQ PLUS

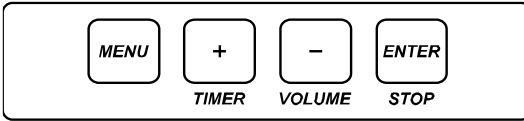


Creeper AQ

1. Power Socket 2. 5-Pin DMX IN/OUT 3. 3-Pin DMX IN/OUT 4. Power ON/OFF 5. Fuse 6. LCD Control Panel

▲ Operation Panel

1. Control button area



MENU: switch through setup menu;

+: Parameter up; multiplex "TIMER" (smoke output time)

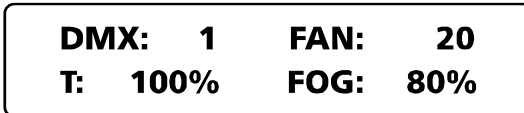
-: Parameters down; multiplex "VOLUME" (smoke output start)

ENTER: confirm and save parameters (screen will blink once when save successfully); multiplex "STOP".

NOTE: Screen will switch to main interface automatically if not press any button in long time.

▲ Interface

1. Main interface:



First Line: DMX address and Fan Speed, ":" blinks when there is DMX in signal

Second Line: Shows machine core temperature and Fog Volume. The machine ready for operate when tempera ture value close to 100%

2. Error information:

Error information	Explanation
E2 Temp. Sensor	Temp. Sensor Malfunction
E3 Water Sensor I	Low water level of Inner Water Tank, system is pumping water to inner water tank or liquid level sensor malfunction
E4 Water Sensor O	Low water level of Outer Water Tank, need to feeding the water tank or liquid level sensor malfunction
E5 K Temp. Over	Circuit board malfunction
E6 Heat Fail	Heater broken or circuit board malfunction

3. Setting Menu:

Press "MENU" switch through setup menu.

Options	Range	Explanation
DMX Address	1~512	DMX address setup
Interval Set	5-600	Set fog output interval
Duration Set	5-600	Set fog output duration
Fog Volume Output	1-100%	Fog output volume setup

Fan Speed	1-100%	Fan speed setup
Wireless Set	ON / OFF	Wireless function set
语言(Language)	中文/English	Language switch
Manual Drainage	ON / OFF	Drainage ON/OFF, when need to drain the water in outer water tank, please turn it on, water in outer tank will pump into inner tank, and drain

▲Operation

1. Check the machine and accessories, ensure it is in good status. Place the machine on a flat surface, tilting may result in inaccurate water level alarm
2. Fill the liquid tank with FX-M Pro medium fog fluid. Please use original fog fluid from SHOWVEN, Warranty will be void if any other type fog fluid is used
3. Connect the machine to suitable rated power supply. Please ensure power supply meets the requirement. Always connect the machine to a protected circuit and ensure it is properly grounded
4. Turn on the machine, it heat up automatically, and shows "WARMING UP" on LCD screen
5. Fill the outer water tank with pure water until there is alarm of water shortage on LCD screen (E3, E4). Operator can also connect the machine to water supply with G1/6 pipe connector, machine will refill it automatically
6. Once the machine has reached operating temperature, temp., fog output and fan speed will show on the screen, please adjustable it accordingly
7. Press "+" to start making fog, press "ENTER" to stop
8. To turn off the machine, please POWER OFF and unplug the power cable
9. For transportation please drain the machine

▲DMX Channel

1. 2 channel mode

Channel	Function
First Channel(CH1)	Fog output: DMX VALUE 6-255, fog output from 1-100.As volume increase, the denser the fog, the longer for dissipate
Second Channel(CH2)	Fan speed: DMX VALUE 6-255, fan speed from 1-100. As volume decrease, the better the fog stick to the ground but spread slower

2. 3 channel mode

Channel	Function
First Channel(CH1)	Fog output: DMX VALUE 6-255, fog output from 1-100
Second Channel(CH2)	Fan speed: DMX VALUE 6-255, fan speed from 1-100
Third Channel(CH3)	Ultrasonic atomizer QTY manual control:(0~127)atomizer QTY is 3(CREEPER AQ is 2)(128~255)atomizer QTY is 4(CREEPER AQ is 3)

▲Wireless Control

Wireless control is used to remote control the machine. Before use the wireless function please make sure machine was ready, wireless status was ON, and no DMX cable connection

Remote controller:

1. Fog output START
2. Fog output STOP

Remote control is optional configuration

▲ Product Package

- 1.Creeper AQ or Creeper AQ PLUS Low Fog Generator x 1unit
- 2.Power Cable x 1 piece
- 3.User Manual x 1 piece
- 4.Fog Vent and Head x 1 piece (Creeper AQ) or 2 pcs (Creeper AQ PLUS)

▲Possible reason for the block of atomizer

For healthy and best status of machine, please do use SHOWVEN original fog fluid.

A. Fluid spill: heat can't effectively transmit to fog fluid, leads to insufficient atomization of the fog fluid in the heating pipe

Possible Reason 1: Use other type of low quality fog fluid instead of SHOWVEN original fog fluid

Possible reason 2: Use inappropriate fog fluid. For different types of fog fluid, the atomization temperature is different

B. Heating aluminum pipe clog: early symptom for heating aluminum pipe clog is fog fluid spill caused by insufficient atomization. Use other brand fluid or not make regular maintenance for a long time will definitely leads to pipe clog

C. Solution for above problem: Use SHOWVEN original fog fluid. Make regular maintenance (every 1-2month). Use 35% vinegar with 65% distilled water to wash the pump and pipe system by running the machine 10-15 times

Warranty Instructions

▲ Sincere thanks for your choosing our products, you will receive quality service from us

▲ The product warranty period is one year. If there are any quality problems within 7 days after shipping out from our factory, we can exchange a brand new same model machine for you

▲ We will offer free of charge maintenance service for machines which with hardware malfunction (except for the instrument damage caused by human factors) in warranty period. Please don't repair machine without factory permission

★ Below situations NOT included in warranty service:

1. Damage caused by improper transportation, usage, management, and maintenance, or damage caused by human factors;
2. Disassemble, modify or repair products without permission;
3. Damage caused by external reasons (lightning strike, power supply etc.)
4. Damage caused by improper installation or use;

For product damage not included in warranty range, we can provide paid service.

★ Invoice and warranty card are necessary when applying for maintenance service from SHOWVEN.

Warranty Card

Product Name:		Serial No.	
Purchase Date:			
Tel:			
Address:			
Info. feedback about the problem:			
Actual problem:			
Maintenance detail:			
Service Engineer:		Service Date:	

SHOWVEN[®]

Distributor:



Phone: 407-857-8770

Fax: 407-857-8771

Email: sales@techni-lux.com

www.techni-lux.com



Showven Technologies Co., Ltd.

Tel: +86-731-83833068

Web: www.showven.cn E-mail: info@showven.cn

Add: Liuyang Economic Development Zone, Changsha, 410300, Hunan Province,
P.R.China