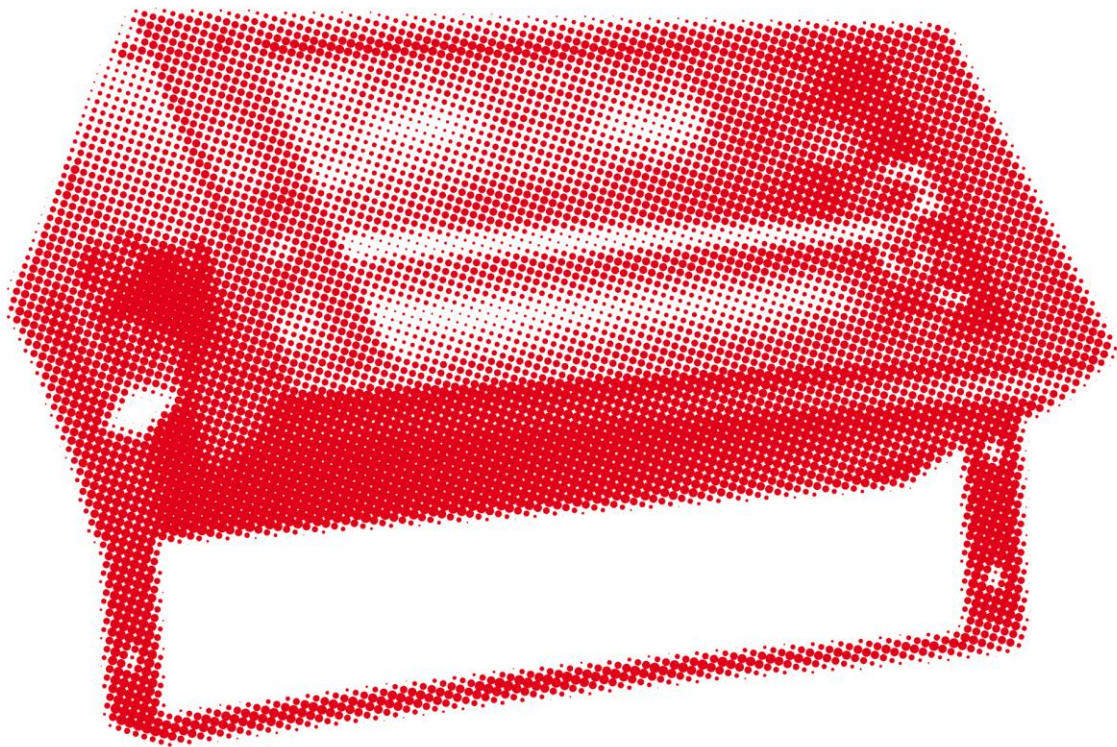




PROFESSIONAL FLASHER USER MANUAL



STROBE 5000

KEEP THIS MANUAL FOR FUTURE NEEDS



Thank you for your patronage. We are confident that our excellent products and service can satisfy you. For your own safety, please read this user manual carefully before installing the device.



CAUTION!

Keep this device away from rain and moisture!



CAUTION!

Unplug mains lead before opening the housing.

In order to install, operate, and maintain the lighting safely and correctly. We suggest that the installation and operation should be done by the verified technician and follow the instruction strictly.

INTRODUCTION:

Thank you for having chosen this professional strobe lighting. You will see you have acquired a powerful and versatile device.

Unpack the device. Inside the box you should find:

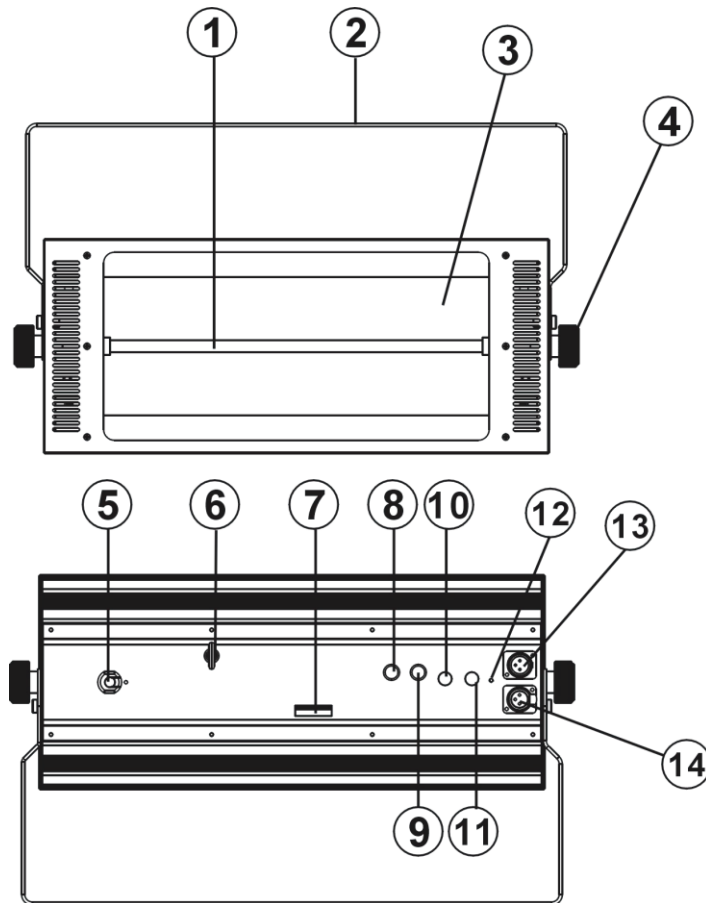
1. The fixture device
2. One power cable
3. One XLR connection cable
4. One safety rope and this manual

Please check carefully that there is no damage caused by transportation. Should there be any, consult your dealer and don't install this device.

Features:

- Lamp: JENBO PS-1500
- Control signal: Standard DMX-512, 2 channels
- Stand alone operation with master/slave function, can be sound activated
- Dimmer intensity from 0% to 100%
- Strobe: 1~25 flashes per second
- Auto program: 4 pre-build programs can be selected

Overview:



- 1: Lamp
- 2: Mounting bracket
- 3: Housing
- 4: Fixation screw
- 5: Power
- 6: Safety eyelet
- 7: Dip-switches
- 8: Intensity
- 9: Speed or MIC sensitivity
- 10: Analog signals input
- 11: Analog signals output
- 12: Status indicator
- 13: DMX in
- 14: DMX out

SAFETY INSTRUCTIONS



CAUTION!

Be careful with your operations. With a dangerous voltage you can suffer a dangerous electric shock when touching wires!

This device has left the factory in perfect condition. In order to maintain this condition and to ensure a safe operation, it is absolutely necessary for the user to follow the safety instructions and warning notes written in this user manual.



Important:

Damages caused by the disregard of this user manual are not subject to warranty. The dealer will not accept liability for any resulting defects or problems.



If the device has been exposed to temperature changes due to environmental changes, do not switch it on immediately. The arising condensation could damage the device. Leave the device switched off until it has reached room temperature.

This device falls under protection-class I. Therefore it is essential that the device be earthed.
The electric connection must carry out by qualified person.
The device shall only be used with rate dvoltage and frequency.
Make sure that the available voltage is not higher than stated at the end of this manual.

Make sure the power cord is never crimped or damaged by sharp edges. If this would be the case, replacement of the cable must be done by an authorized dealer.

Always disconnect from the mains, when the device is not in use or before cleaning it. Only handle the power cord by the plug. Never pull out the plug by tugging the power cord.
During initial start-up some smoke or smell may arise. This is a normal process and does not necessarily mean that the device is defective, it should decrease gradually.

If the external flexible cable or cord of this luminaire is damaged, it shall be exclusively replaced by the manufacturer or his service agent or a similar qualified person in order to avoid a hazard.

	<p>CAUTION! Never touch the device during operation! The housing may heat up</p>
	<p>CAUTION! Never look directly into the light source, as sensitive persons may suffer an epileptic shock.</p>

Please be aware that damages caused by manual modifications to the device are not subject to warranty. Keep away from children and non-professionals.

GENERAL GUIDELINES

This device is a lighting effect for professional use on stages, in discotheques, theatres, etc.
This fixture is only allowed to be operated with the max alternating current which stated in the technical specifications in the last page of this manual, the device was designed for indoor use only.
Lighting effects are not designed for permanent operation. Consistent operation breaks may ensure that the device will serve you for a long time without defects. Do not shake the device.
Avoid brute force when installing or operating the device.
The device shall only be used complete with its protective shield.

While choosing the installation-spot, please make sure that the device is not exposed to extreme heat, moisture or dust. The minimum distance between light-output from the projector and the illuminated surface must be more than 0, 5 meter.



Please use the original packaging if the device is to be transported.
For safety reasons, please be aware that all modifications on the device are forbidden.

If this device will be operated in any way different to the one described in this manual, the product may suffer damages and the guarantee becomes void. Furthermore, any other operation may lead to

short-circuit, burns, electric shock, lamp explosion, crash, etc.

INSTALLATION INSTRUCTIONS

a) *Installing or replacing the lamp*

	CAUTION! Only install the lamp with the device unplugged from the mains.
	CAUTION! The lamp has to be replaced when it is damaged or deformed.

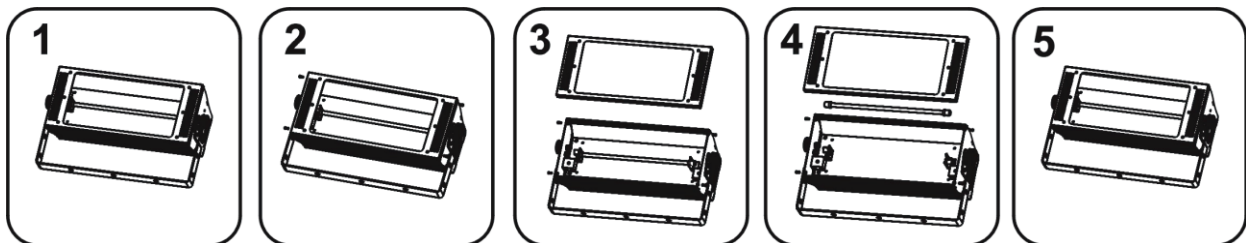
Before replacing the lamp let the lamp cool down, because during operation, the lamp can reach very high temperature.

During the installation of halogen lamps do not touch the glass bulbs bare handed. Always use a cloth to handle the lamps during insertion and removal.

Do not install lamps with a higher wattage. They generate higher temperatures than which the device was designed for.

For the installation, you need one JENBO PS-1500

Procedure:



Please remember the lamp is not a hot-restrike type, you must wait for approximately 15 minutes after having turned off the lamp before you can turn it back on again.

	CAUTION! Do not operate this device with open cover
---	---

b) Mounting the device



CAUTION!

Please consider the GB7000.1-2007, GB7000.217-2008 and the other respective national norms during the installation. The installation must only be carried out by a qualified person.

The applicable temperature for the lighting is between -10°C to 45°C. Do not use the lighting under or above the temperature.

The installation of the effect has to be built and constructed in a way that it can hold 10 times the weight for 1 hour without any harming deformation.

The installation must always be secured with a secondary safety attachment, e.g. an appropriate safety cable.

Never stand directly below the device when mounting, removing or servicing the fixture.

The operator has to make sure the safety relating and machine technical installations are approved by an expert before taking the device into operation for the first time.

These installations have to be approved by a skilled person once a year.



CAUTION!

Before taking into operation for the first time, the installation has to be approved by an expert.

Cautions:

The effect should be installed outside areas where persons may reach it, walk by or be seated.



CAUTION!

When installing the device, make sure there is no highly inflammable material within a distance of min. 0,5m

Overhead mounting requires extensive experience, including amongst others calculating working load limits, installation material being used, and periodic safety inspection of all installation material and the device. If you lack these qualifications, do not attempt the installation yourself. Improper installation can result in bodily injury.



CAUTION!

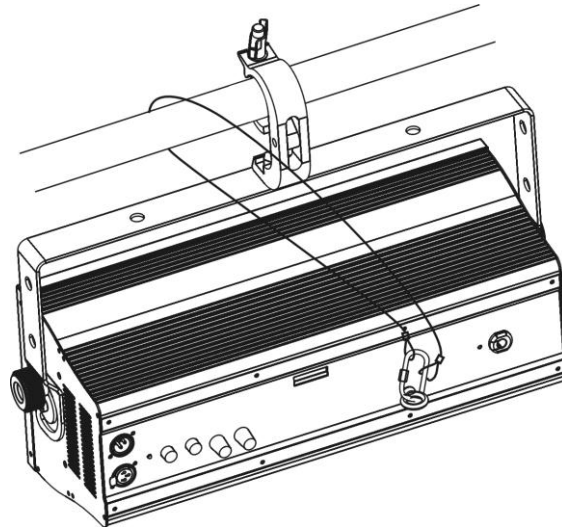
The electric connection must only be carried out by a qualified electrician.

Before mounting make sure that the installation area can hold a minimum point load of 10 times the device's weight.

Connect the fixture to the mains with the power plug.

Installation method via clamp

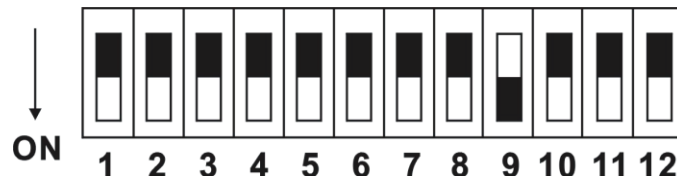
Please refer to the picture below:



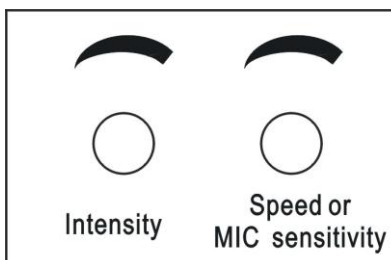
Screw one clamp each via a M12 screw and nut onto the Omega holders.
Insert the quick-lock fasteners of the first Omega holder into the respective holes on the bottom of the device. Tighten the quick-lock fasteners fully clockwise. Install the second Omega holder.
Pull the safety-rope through the holes on the bottom of the base and over the trussing system or a safe fixation spot. Insert the end in the carabine and tighten the safety screw.

Control via the DIP Switches

Please refer to the picture below:



Please note: The dip switch 9 is “ON”.



Intensity & speed or MIC sensitivity adjustment at back of the strobe

FUNCTION LIST												
Switch Status			0=OFF 1=ON									
VALUE									FUNCTION			DIP
DP1	DP2	DP3	DP4	DP5	DP6	DP7	DP8	DP9	DP10	DP11	DP12	
x	x	x	x	x	x	x	x	x	x	x	1	120Ω terminator connected
DMX ADDR SETTING									0	0	x	Normal
x	x	x	x	x	x	x	x	0	0	1	x	Slave
x	x	x	x	x	x	x	x	1	0	1	x	Stand Alone by manual
x	x	x	x	x	x	x	x	0	1	1	x	Stand Alone by Sound
x	x	x	x	x	x	x	x	1	1	1	x	Alone by Auto run
x	x	x	x	x	x	x	x	0	1	0	x	Stand Master by Sound
x	x	x	x	x	x	x	x	1	1	0	x	Master by Auto run

From "DP1" to "DP12", 12 dip switches.

5 different functions available according to different dip switch settings.

In the above list, "0" stands for "off", "1" stands for "on"

You can select each function by setting to different dip switches to different values.

"DP 12" is for controlling the connection to the 120Ω terminal resistor;

From “DP 9” to “DP 11” are functional switches, different settings list below:

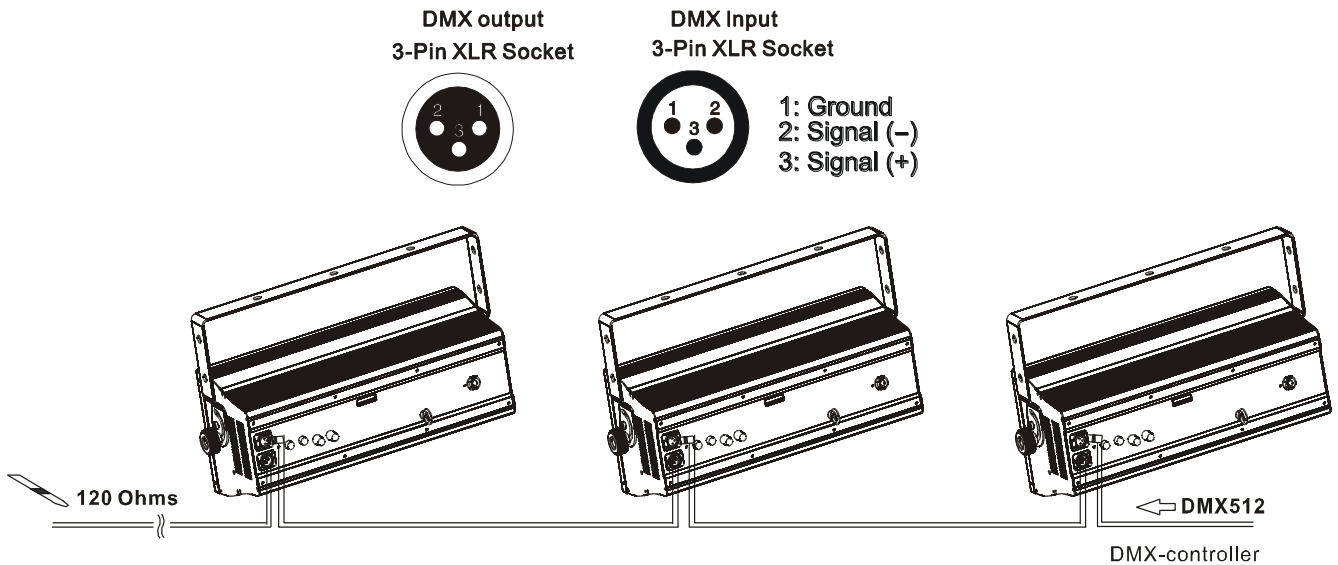
DP9	DP10	DP11	Function
X	OFF	OFF	Normal Mode: DP1 to DP9 is for setting DMX Address. (Status indicator - Solid Green: DMX ready, Solid Red: No DMX).
OFF	OFF	ON	Slave Mode: No matter what value set from DP1 to DP8, the unit will work as Slave unit in the link. (Status indicator - Solid Green: DMX ready, Solid Red: No DMX).
ON	OFF	ON	Stand Alone by manual Mode: No matter what value set from DP1 to DP8, this unit work in Stand Alone by sound activated. (Status indicator- Red green flash).
OFF	ON	ON	Stand Alone by sound Mode: No matter what value set from DP1 to DP8, this unit work in Stand Alone by sound activated. (Status indicator- Red green flash).
ON	ON	ON	Alone by Auto run Mode: No matter what value set from DP1 to DP8, this unit work in Alone by Auto run activated. (Status indicator- Red green flash).
OFF	ON	OFF	Stand Master by Sound Mode: No matter what value set from DP1 to DP8, this unit work in Stand Master by Sound activated. (Status indicator- Red green flash)
ON	ON	OFF	Master by Auto run Mode: No matter what value set from DP1 to DP8, this unit work in Master by Auto run activated. (Status indicator- Red green flash)

Control via a standard DMX-512 controller:

When you use a DMX controller to control the strobe, please refer to the channel functions as the following:

DMX channel’s functions and their values (2 DMX channels):		
Channel 1 - Speed		
0-1	Close	
2-5	Spring strobe	
6-255	Strobe slow to fast	
Channel 2 - Dimmer		
0-9	Close	
10-255	Intensity 0-100%	

Connect the provided XLR cable to the female 3-pin XLR output of your controller and the other side to the male 3-pin XLR input of the moving head. You can chain multiple Moving head together through serial linking. The cable needed should be two core, screened cable with XLR input and output connectors. Please refer to the diagram below.



The DMX starting address of the controller is defined by the first 9 DIP switches. The encoding is binary: DIP switch 1 value 1 ($2^0=1$), DIP switch 2 value 2 ($2^1=2$), DIP switch 3 value 4 ($2^2=4$), DIP switch 4 value 8 ($2^3=8$), etc...

Example: if 95 were the desired start address, then the settings for the first 9 switches would be as follows: $111111101 = 1 + 2 + 4 + 8 + 16 + 0 + 64 = 95$.

You can set the address 95 by pushing the pin 1, 2, 3, 4, 5, 7 to the position "ON".

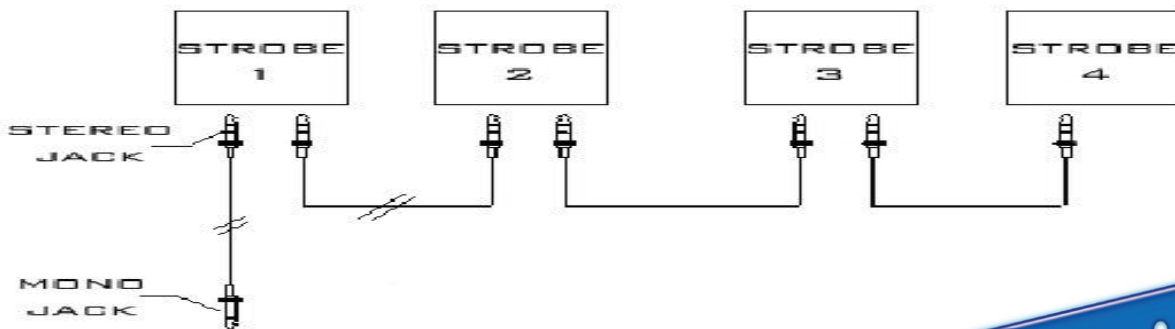
DMX-512 connection with DMX terminator

For installations where the DMX cable has to run a long distance or is in an electrically noisy environment, such as in a discotheque, it is recommended to use a DMX terminator. This helps in preventing corruption of the digital control signal by electrical noise. For normal products which do not have dip switches setting, the DMX terminator is simply an XLR plug with a 120 Ω resistor connected between pins 2 and 3, which is then plugged into the output XLR socket of the last fixture in the chain.

While on the lighting which with the dip Switches setting, if the DP12 is put to ON position (downwards) the fixture gains the function of connecting with a 120 Ω resistor, then this unit functions as the terminator of the DMX link.

Controlled via a strobe controller:

Connect the control cable with 1/4 inch mono jack, and please refer to the manual of the strobe controller for operation instruction.



CLEANING AND MAINTENANCE

The following points have to be considered during the inspection:

- 1) All screws for installing the devices or parts of the device have to be tightly connected and must not be corroded.
- 2) There must not be any deformations on the housing, color lenses, fixations and installation spots (ceiling, suspension, trussing).
- 3) Mechanically moved parts must not show any traces of wearing and must not rotate with unbalances.
- 4) The electric power supply cables must not show any damage, material fatigue or sediments. Further instructions depending on the installation spot and usage have to be adhered by a skilled installer and any safety problems have to be removed.



CAUTION!

Disconnect from mains before starting maintenance operation.

We recommend a frequent cleaning of the device. Please use a moist, lint- free cloth. Never use alcohol or solvents.

There are no serviceable parts inside the device except for the lamp. Please refer to the instructions under “Installation instructions”.

Should you need any spare parts, please order genuine parts from your local dealer.

TECHNICAL SPECIFICATIONS

Power supply:

98VAC,50Hz; 120VAC, 50Hz; 208VAC, 50Hz; 220VAC,50Hz; 230VAC,50Hz; 240VAC, 50Hz;
 98VAC,60Hz; 120VAC,60Hz; 208VAC, 50Hz; 220VAC,60Hz; 230VAC,60Hz; 240VAC,60Hz;

Power consumption: max. 1500W

Lamp: JENBO PS-1500

Packing dimensions: 60x26.5x27cm

Net weight: 6.5KGS

Gross weight: 7.5KGS

Remark: errors and omissions for every information given in this manual except. All information is subject to change without prior notice.