

# TUNGSTEN HALOGEN LAMPHOLDERS

## 2-Pin Miniature Base Lamps

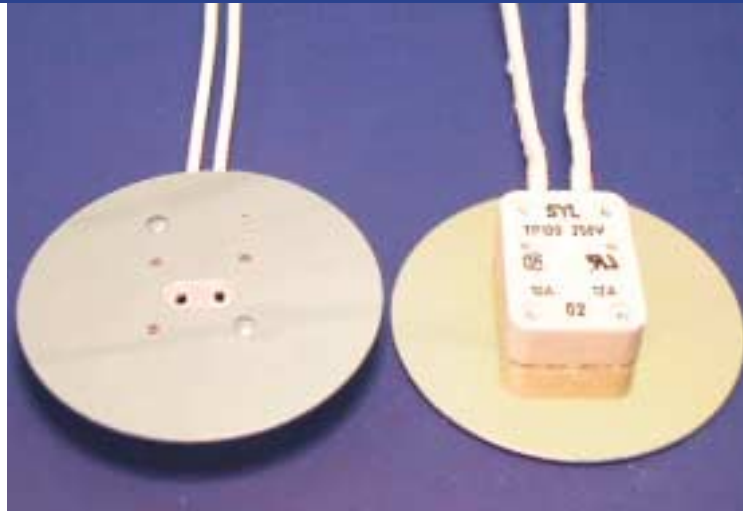
**LAMP BASE**  
 2-Pin Miniature  
 (.060" dia. round or .025"  
 flat pins x .210" ctr. to ctr.)  
 G5.3, GU5.3, GX5.3, GY5.3



### Type TP120R

#### Specifications

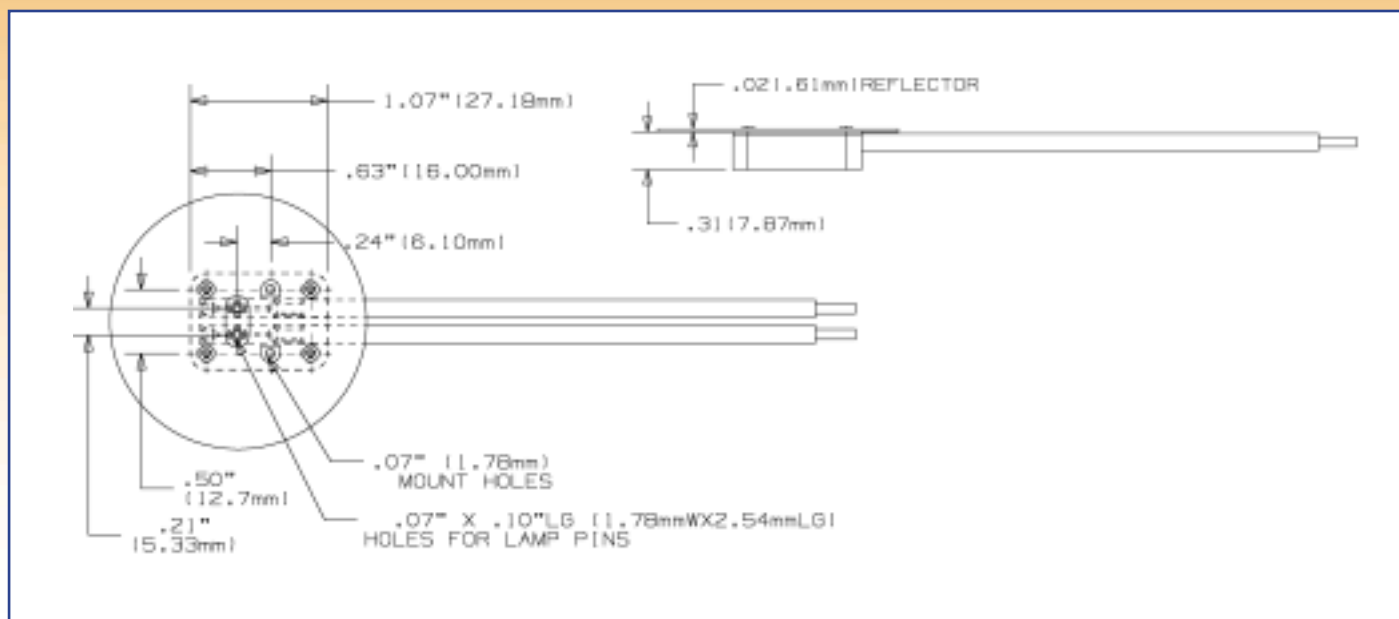
Maximum Wattage	750 W
Maximum Voltage	250 V
Maximum Operating Temperature	225° C
Qualifications	UL Recognized - E31557 CSA Certified - LR20904
Body Material	Steatite / Mica
Contact Material	High Temperature Nickel Alloy
Wire Leads	Any UL recognized and CSA certified wire: AWG 18 or 16, 300 V min, 150° C min



#### How To Order

Product Number	Wire Gauge/Type	Wire Length (inches)	Wire Color	Strip Length (inches)
F511630	AWG18 UL1726	18	White	.25
F597920	AWG18 SF1	9	White	.25
F597320	AWG18 SF1	12	White	.25
F511620	AWG18 SF1	28	White	.25

• Other wire types and lengths available



Distributor:



Phone: 407-857-8770  
 Fax: 407-857-8771  
 Email: sales@techni-lux.com  
 www.techni-lux.com