

Product Information Bulletin

aluPAR® 64 Lamp Series

1000 Watt Tungsten Halogen PAR 64 Lamps



- Tungsten halogen aluPAR 64 lamps are made with an aluminum reflector which makes them up to 50% lighter than standard glass PAR 64 lamps.
- Reduced weight equals:
 - Lower transportation costs.
 - Easier handling.
- aluPAR is an environmentally preferable ECOLOGIC® product.
- Accepted into the IES (Illuminating Engineering Society) 2006 Progress Report.
- aluPAR received the Environment Impact Award at the Professional Lighting and Sound Association (PLASA) trade show in 2005.
- SYLVANIA PAR-1 socket available



Specification Information

Lamp Ordering Abbreviation code:	aluPAR 64 VNSP /1000W/ 120V	aluPAR 64 NSP /1000W/ 120V	aluPAR 64 MFL /1000W/ 120V	* aluPAR 64 WFL /1000W/ 120V
Product Number	56017	56010	56011	56012
Electrical data:				
Rated lamp wattage	1000	1000	1000	1000
Rated lamp voltage	120	120	120	120
Photometric data:				
Luminous Intensity (cd)	400,000	330,000	125,000	40,000
Color temperature	3200K	3200K	3200K	3200K
Geometrical data:				
Beam angle	Very Narrow Spot	Narrow Spot	Medium Flood	Wide Flood
Other data:				
Average service life	800	800	800	800
Base	GX16d	GX16d	GX16d	GX16d
Bulb	PAR64	PAR64	PAR64	PAR64
Weight	585g	580g	546g	546g
Operating position	Any	Any	Any	Any

* In development.

Application Information

Applications

- Stage, Studio, Film
- Concert/Disco lighting
- Architectural lighting

WARNING

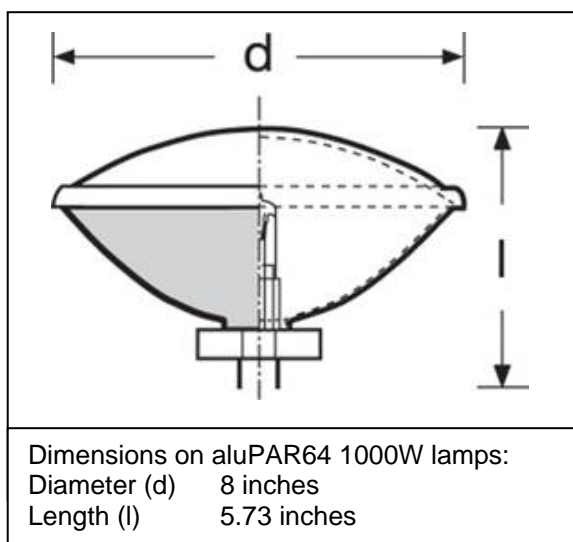
The lamp emits ultraviolet (UV) radiation and operates at high internal pressure. Before use read the complete warning accompanying the product.

Disposal

When disposing of spent lamps, always consult federal, state, local and provincial hazardous waste disposal rules and regulations to ensure proper disposal.

Ordering Information

Lamp Description	Product Number	Standard Case Quantity
aluPAR64 VNSP 1000W 120V	56017	6/case
aluPAR64 NSP 1000W 120V	56010	6/case
aluPAR64 MFL 1000W 120V	56011	6/case
aluPAR64 WFL 1000W 120V	56012	6/case



Distributor:



Phone: 407-857-8770
Fax: 407-857-8771
Email: sales@techni-lux.com

Visit our website: www.sylvania.com

SEE THE WORLD IN A NEW LIGHT

