



GE
Lighting



Discharge - Single Ended Hot Restrike

CSR1600/SE/HR/UV-C

65754

Product information

Compact, single ended metal halide hot restrike lamps for a variety of applications requiring high luminance, reliability and excellent colour characteristics. Excellent colour rendering, $R_a > 90$, and high CCT 5600–6000 K with superior colour stability- Universal burn position with hot restrike capability- High efficiency with excellent lumen maintenance -Available with UV blocking.



Product data

Cap/Base	G22
Bulb Shape	Tubular
Bulb Finish	Clear
Light Center Length [mm]	85
Net weight per piece [g]	285
Gross weight per piece [g]	727
Operating position	U - Universal
Brand	General Electric (GE)

Performance data

Colour Rendering Index (CRI) [Ra]	90
Nominal correlated colour temperature (CCT) [K]	6000
Nominal lumens [lm]	150000
Energy efficiency class (EEC)	A+
Nominal chromaticity coordinate X	0.31
Nominal chromaticity coordinate Y	0.31
Nominal power [W]	1600
Nominal lamp voltage [V]	150

Electrical data

Weighted energy consumption [kWh/1000h]	1760
Lamp Current [A]	10.7
Dimming Capability	No
Ballast Required	Yes

Logistic data

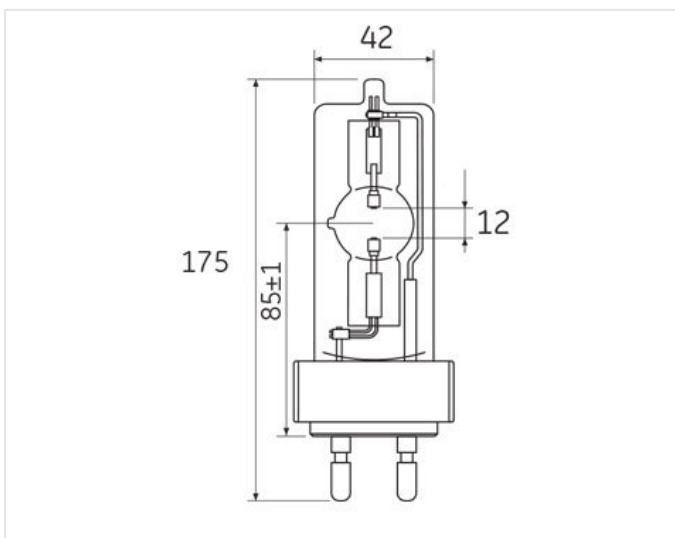
DUN Code	10043168657546
EAN Code	0043168657549
Pack Quantity	6
Inner pack type	BOX
Layer quantity	36 EUR, 66 UK
Layer quantity EUR	36
Layer quantity UK	66
Pallet quantity EUR (PC)	108
Pallet quantity UK (PC)	132
Outer case size	385 x 280 x 346 (mm)
Product status	Available

Application areas



Film and Broadcast

Technical drawing



Downloads & Links

[Go to the catalog site \(HTTP\)](#)

[Entertainment Solution Spectrum Catalogue \(PDF\)](#)

[Lighting design tools & calculators \(HTTP\)](#)

Disclaimer

Special Purpose Lamp, Not suited for household illumination

Distributor:



Phone: 407-857-8770

Fax: 407-857-8771

Email: sales@techni-lux.com