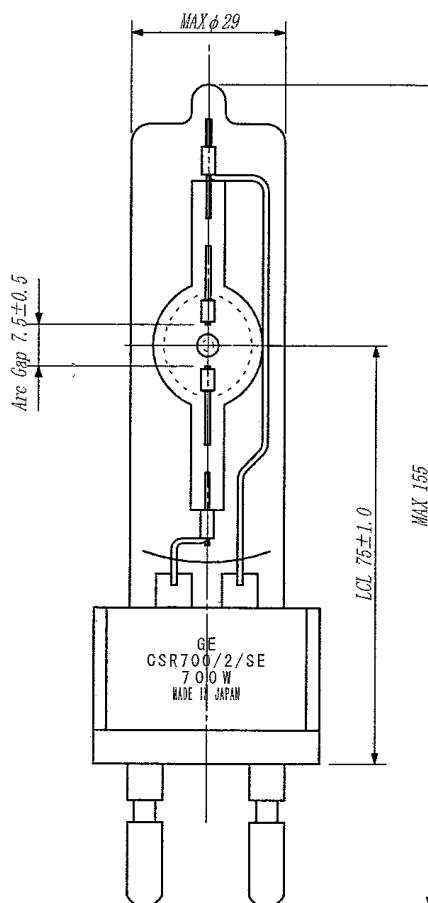


CSR Lamps

The GE CSR700/2/SE lamp is a single ended metal halide lamp with an outer jacket. It's small arc gap of 7.5 mm provides greater optical control and luminance. This lamp is compact, highly efficient, and at 6600K provides a white bright light. It is a cold start lamp with a maximum seal temperature of 350° C. The CSR700/2/SE is mainly used in event lighting.

Product Description CSR700/2/SE

•Order Description	CSR700/2/SE
•Product Code	49491
•Pack Quantity	10
•Rated Wattage	700W
•Rated Voltage	70±15V
•Lamp Current (ECG/MCG)*	10A
•Ignition Voltage (cold/hot)	5
•Lumens	55,000 Lm
•Lumens per watt	79
•Ra	>70
•Chromaticity coordinates	x 0.312 y 0.325
•Color temperature	6600K
•Arc Length (C)	7.5±0.5mm
•Lamp length (A)	MAX155
•Light center length (B)	75±1.0
•Lamp diameter	MAX φ 29
•Average rated life	1,000hr
•Base	G22



*ECG = electronic control gear/ MCG = Magnetic control gear

Lamp Operation

Burn Position	Any
Maximum Seal Temperature	350° C
Cooling	Forced Cooling/Fan
Lamp can be used on electronic or AC magnetic Ballast/igniters	

Application Information

- Do not exceed rated wattage or voltage
- Replace lamp at or before rated life
- Do not exceed rated seal temperature
- Use only with properly rated fixtures and ballasts



GE imagination at work

GE and General Electric are both registered trademarks of the General Electric Company, USA. © General Electric Company (USA) 2006

GE Consumer & Industrial Specialty Lighting is constantly developing and improving its products. For this reason, all product descriptions in this brochure are intended as a general guide, and we may change specifications time to time in the interest of product development, without prior notification or public announcement. All descriptions in this publication present only general particulars of the goods to which they refer and shall not form part of any contract. Data in this guide has been obtained in controlled experimental conditions. However, GE Lighting cannot accept any liability arising from the reliance on such data to the extent permitted by law.

CSR700/2/SE - Data sheet - April 2008

Distributor:

Techni-Lux
www.techni-lux.com

Phone: 407-857-8770

Fax: 407-857-8771

Email: sales@techni-lux.com