

USHIO

SPH™ HALOGEN

SPH™ 575W & 750W
FOR ENTERTAINMENT LIGHTING



TUNGSTEN HALOGEN LAMPS FOR PAR AND ELLIPSOIDAL SPOTLIGHTS

A new patent pending filament design for the SPH Superior Performance Halogen lamp allows for superior field uniformity and increased lumen performance for multiple brands of PAR fixtures and ellipsoidal spotlights.

The newly engineered filament geometry works with modern reflector technology to produce up to a 20% increase in fixture lumens over the GLC lamp. The universal G9.5 base will fit any socket that accepts the GLC, FLK, or FEL lamps.

APPLICATIONS

- Stage
- Film
- Concert
- Theatre

FEATURES & BENEFITS

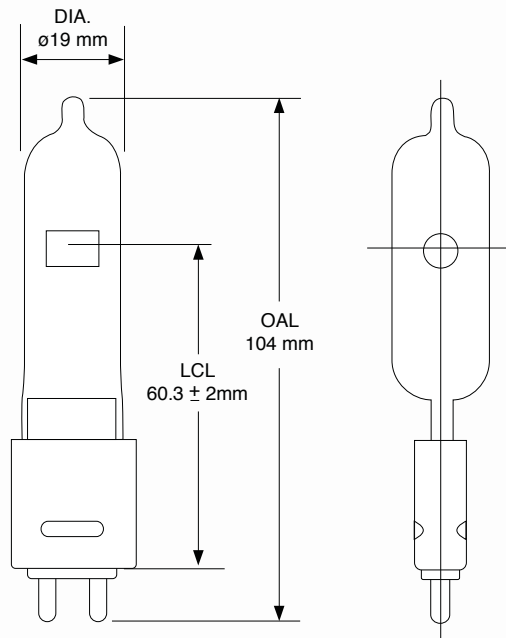
- 575 watt lamp provides 16,500 lumens without increasing lamp wattage.
- 750 watt lamp provides 21,000 lumens without increasing lamp wattage.
- Filament profile increases beam uniformity for a smoother field.
- Universal G9.5 base fits a variety of PAR and Ellipsoidal fixtures.
- 750 watt lamp used in PAR fixtures reduces energy usage when compared to 1000 watt encapsulated PAR64 lamps.

Actual results will depend upon fixture brand and beam angle because of variances in the reflector design and optics.

USHIO

SPH™ 575W & 750W
G9.5 Base

CHARACTERISTICS & SPECIFICATIONS



Watts (W)	Ushio Ordering Code	Ushio Lamp Description	Volts (V)	Filament Type	Color Temp (K)	Initial Lumens (lm)	Average Life (h)
575	1003584	SPH115V-575W JCD115V-575WCM	115	CC-6	3250	16500	300
575	1003585	SPH115V-575W JCD115V-575WBM	115	CC-6	3050	14000	800
750		SPH120-750W JCD120V-750WCM	120	CC-6	3250	21000	300

Distributor:


Techni-Lux
www.techni-lux.com

Phone: 407-857-8770
Fax: 407-857-8771
Email: sales@techni-lux.com