

OSRAM HMI®
50
YEARS



04/18 OSRAM does not accept liability for errors, changes and omissions.

OSRAM GmbH

Head office:

Marcel-Breuer-Strasse 6
80807 Munich, Germany
Phone +49 89-6213-0
Fax +49 89-6213-2020
www.osram.com
E-mail: webmaster@osram.com

Partner:



Distributor:



Phone: 407-857-8770
Fax: 407-857-8771
Email: sales@techni-lux.com

Light is action

OSRAM HMI® lamps

For 50 years, OSRAM HMI® metal halide discharge lamps have been meeting the toughest demands of the film and TV industry. Their technology has received several awards and has become an integral part of film sets around the world.

Light is OSRAM



HMI® lamps are the first choice for users in the film and TV industry.

More than 50 years ago, film and television producers turned to OSRAM, seeking an economical and efficient alternative to incandescent lights. From this request, the HMI® lamp was born. The HMI® technology has since received multiple prestigious awards – such as the OSCAR®, the Primetime Emmy® Engineering Award and the PLASA Innovation Award. As a result, the HMI® lamp family continues to be an integral part of film sets around the world. Thanks to their continuous improvement, HMI® lamps have made film history again and again – many film productions would not be possible with the outstanding light of our HMI® lamps. Our powerful and effective HMI® series will benefit the entertainment industry at every level, from professional film productions to small theatrical events.

Typical applications

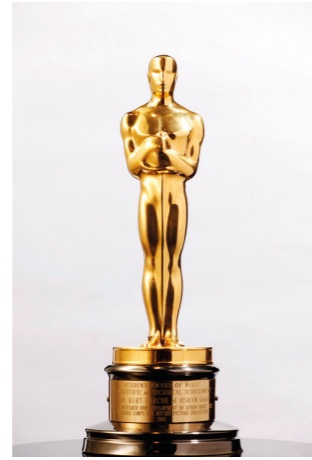
- Film, TV and video productions
- Stage lighting (theater, opera etc.)
- Lighting for major events
- Professional photography

Other applications

- Trade shows or exhibitions of autos, boats, industrial equipment, and motorcycles
- Industrial solar simulation

Typical luminaires

- Follow lights
- Fresnel luminaires
- PAR/open luminaires
- Soft and flood lighting



HMI® lamps for film and television were awarded in Hollywood an OSCAR® in 1987.



Acknowledging the out-standing performance and continuous development of HMI® technology for the TV industry, OSRAM, in 2007, was awarded the Primetime Emmy® Engineering Award by the Academy of Television Arts & Sciences.



HMI® 18000 W/SE/GX51 in action.

HMI® – all action and no drama

HMI® lamps are AC-operated metal halide discharge lamps, which have excellent color rendering and photometric integrity throughout their life.

Perfect light whatever the time – day or night.

With an extremely bright light, providing up to 100 lumens per watt, OSRAM HMI® lamps generate a color temperature that closely matches sunlight. It reveals true colors and facilitates daytime filming outdoors. OSRAM HMI® lamps are up to five times more efficient than an incandescent light.



Key features and benefits

- High intensity light simulates daylight color temperature of 6000 K with a CRI >90
- Incredibly bright with luminous flux up to 2.3 million lm
- Very high luminous efficacy of up to 100 lm/W
- Reduced UV emissions with UV-Stop (UVS) feature on selected HMI single-end lamps
- Stronger and longer life with multiple moly-foils in seal design
- Mechanically robust
- EXtreme Seal (XS) technology allows up to 450°C at the pinch seal
- Capable of hot restrike ignition

HMI® product overview

	Single-ended	Double-ended	Color Temperature ¹⁾	with UVS
HMI® DIGITAL	yes	no	6600 K	200 - 1800 W ²⁾
HMI® STUDIO	yes	no	3600 K	200 - 800 W ²⁾
HMI® standard lamps	no	yes	6600 K	no
HMI® EVENT	yes	no	6900 K	yes



White = HMI (Traditional)



Red = HMI STUDIO



Grey = HMI EVENT



Green = HMI DIGITAL

New HMI® packaging: Color coded for easy identification

1) Average value on electronic ballast
2) Further wattages will be available soon

Robust, flicker-free lamps deliver a steady performance: HMI® DIGITAL

Applications

Whether using analog or digital film, shooting in in modes of 1000 Hz and higher, OSRAM's HMI® DIGITAL line has a lamp for your production. While specially-designed to accommodate evolving, high-speed film technology, HMI® DIGITAL still provides every feature needed to light traditional film productions, as well as theater stages.

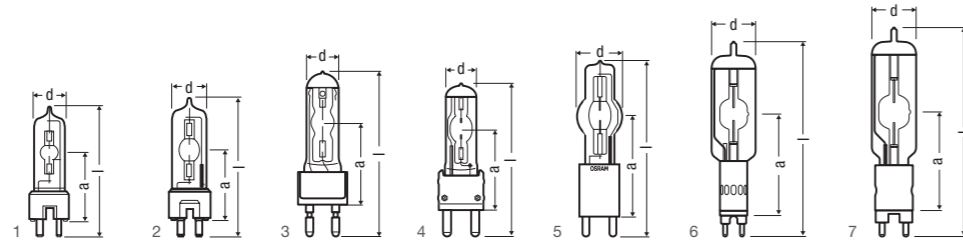
Expect high-performance for the high demands on your:

- Film sets
- Television studios
- Theater stages

Benefits & features at a glance

- Flicker-free when used with high-speed electronic ballasts (1000 Hz and higher)
- Suited for both analog and digital film production

- Up to 99.9% less UV emissions (from models equipped with UV-Stop)
- Color temperature of 6000 K for realistic, naturally-lit scenes
- High color rendering index of 90+, exposing true-to-life colors
- Extremely bright light of up to 100 lumens/watt
- Hot restart capability
- Improved stability and design
- Robust stems, resulting in less breakage during transport
- Round moly-foil construction that evenly distributes heat and current, thus extending lamp life¹⁾
- Splash-proof carrying case is reusable and allows lamps to be transported safely¹⁾



HMI® DIGITAL lamp types

Product reference	Product number	W	V	A		lm	t [h]	K		LCL a [mm]	I [mm]		No.
HMI® DIGITAL													
HMI® DIGITAL 200W	4052899984110	200	69	2,9	GZY9.5	16000	200	6900 ²⁾	20	39	80	1	
HMI® DIGITAL 400W	4052899984127	400	75	5,3	GZZ9.5	32500	650	6700 ²⁾	23	60	110	2	
HMI® DIGITAL 575W	4052899984134	575	94	6,1	G22	49000	1000	6400 ²⁾	30	70	145	3	
HMI® DIGITAL 800W	4052899984141	800	95	8,4	G22	69000	1000	6300 ²⁾	30	70	145	3	
HMI® DIGITAL 1200W	4052899984196	1200	100	12	G38	110000	1000	6800 ²⁾	40	107	200	4	
HMI® DIGITAL 1800W	4052899984202	1800	140	12,9	G38	165000	750	6500 ²⁾	40	107	200	4	
HMI® DIGITAL 2500W ¹⁾	4052899984295	2500	115	25,6	G38	240000	500	6600 ^{2,3)}	60	127	225	5	
HMI® DIGITAL 4000W ¹⁾	4052899984301	4000	200	24	G38	380000	500	6600 ^{2,3)}	75	142	250	5	
HMI® DIGITAL 6000W ¹⁾	4052899984684	6000	123	55	GX38	600000	500	6600 ^{2,3)}	75	210	360	6	
HMI® DIGITAL 9000W ¹⁾	4052899984691	9000	160	56	GX38	875000	400	6600 ^{2,3)}	80	210	380	6	
HMI® DIGITAL 12000W ¹⁾	4050300650418	12000	160	76	GX38	1150000	500	6600 ^{2,3)}	100	255	455	6	
HMI® DIGITAL 18000W ¹⁾	4008321098955	18000	225	88	GX51	1600000	350	6600 ^{2,3)}	100	260	495	7	

1) Coming soon

2) Average value on electronic ballast

3) Preliminary data

Mastering technical evolution: HMI® STUDIO

Outstanding performance and continuous development.



Features

With a warm color temperature that closely matches that of tungsten light sources and a CRI of over 90, HMI® STUDIO lamps deliver the sought-after effects of tungsten halogen lamps minus the need for additional fixtures.

HMI® STUDIO lamps offer an intensely bright light that shines up to four times brighter than tungsten halogen lamps with similar wattages. Thanks to the patented doped UV-Stop quartz—developed and manufactured in our OSRAM glass factory in Germany—99.9% of harmful UVB and UVC emissions are eliminated. HMI® STUDIO lamps last as long as traditional HMI® lamps.

Applications

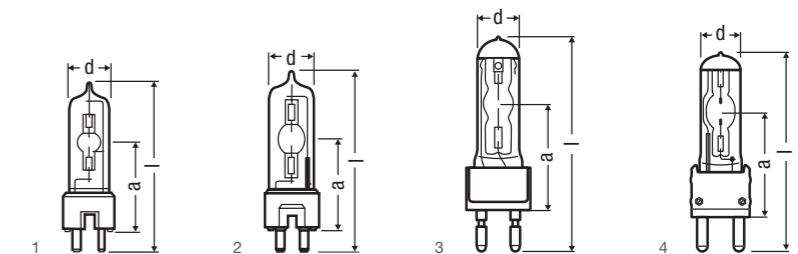
OSRAM's HMI® STUDIO product line includes lamps in various wattages to suit every SSTV application. From movie studios and film sets to theater stages and photography studios, HMI® STUDIO lamps offer an advanced lighting solution for your performance.

Website

For more information on the HMI® STUDIO lamp series, including technical specifications and related products, visit www.osram.com/hmistudio.

Benefits

- A warm tungsten color temperature and high CRI of more than 90.
- A cost-effective alternative to managing and maintaining multiple tungsten halogen and metal halide lamps and fixtures.
- Time savings associated with setting up fewer varieties of lamps, fixtures, and CTO filters to light your set.
- Twice as bright as tungsten halogen lamps with similar wattages.
- Reduction of harmful UVB and UVC emissions by 99.9%, thanks to the special UV-Stop quartz outer jacket.
- A plug-and-play solution for daylight fixtures.
- The same lifespan as our award-winning standard HMI® lamps with 6000 K color temperature.



HMI® STUDIO lamp types

Product reference	Product number	W	V	A		lm	t [h]	K		LCL a [mm]	I [mm]		No.
HMI® STUDIO 200W	4052899984356	200	69	2,9	GZY9.5	10800	200	3600 ¹⁾	20	39	80	1	
HMI® STUDIO 400W	4052899984370	400	70	6,9	GZZ9.5	26400	650	3200 ¹⁾	23	60	110	2	
HMI® STUDIO 575W	4052899989658	575	99	5,8	G22	32400	750	4050 ¹⁾	30	70	145	3	
HMI® STUDIO 800W	4052899984417	800	97	8,3	G22	47300	750	3850 ¹⁾	30	70	145	3	
HMI® STUDIO 1200W	4052899989672	1200	100	13,8	G38	77000	1000	3700 ^{1,2)}	42	107	200	4	
HMI® STUDIO 1800W	4052899989689	1800	140	13,0	G38	115500	750	3700 ^{1,2)}	42	107	200	4	

1) Average value on electronic ballast

2) Preliminary data

Showing stars and cars in their true light: HMI® EVENT

© Ralph Larmann



Benefits

- Improved heat resistance – for high thermal requirements during the show, especially in head-down position of the fixture
- Tighter range of color temperature – for a stable CCT with reduced color and brightness shifts
- UVS (UV Stop) – drastically reduced UV emissions for protection of the paint and extended fixture life

Applications

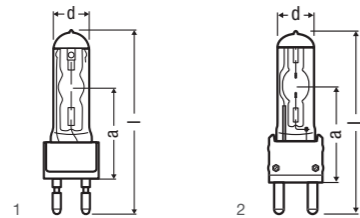
- Trade shows or exhibitions of cars, boats, industrial equipment, and motorcycles
- Press events
- Fashion shows



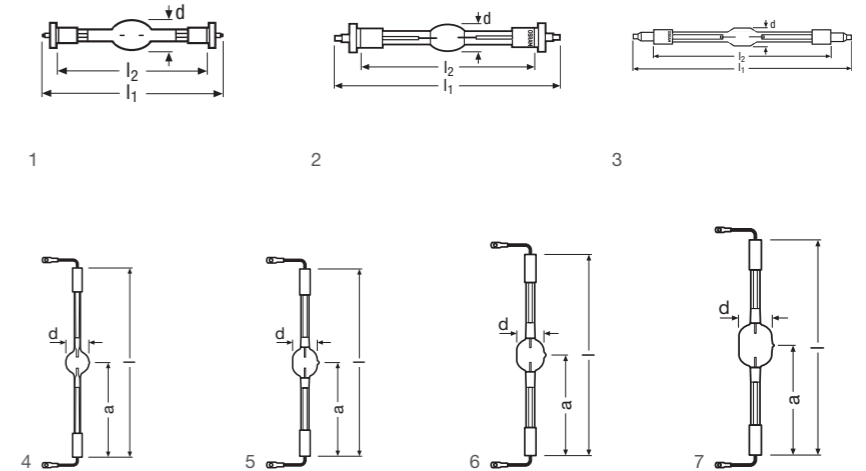
HMI® EVENT light data tool

Simply use the unique serial code to find out about the lamp characteristics of your lamp.
www.osram.com/hmilightdata

- Save time and efforts due to less need for upfront measurements of lamps
- Quick and precise pre-selection of all lamps used for every car
- Light data is based on exact measurements taken during the manufacturing process



HMI® double-ended lamps



HMI®, double-ended

Product reference	Product number	W	V	A	t [h]	lm	K	Ø [mm]	l [mm]	l1 max. [mm]	Beam	Socket	U	No.	
HMI 575 W/DXS	4008321285102	575	95	7	1000	49000	6000	21	135	115	Any	SFc10-4	1	1	
HMI 1200 W/DXS	4008321931153	1200	100	13.8	1000	110000	6000	27	220	180	Any	SFc15.5	1	2	
HMI 2500 W/S XS	4050300025780	2500	115	25.6	500	240000	6000	31.5	210	150	p30	SFa21-12	1	3	
HMI 2500 W/DXS	4008321182197	2500	115	25.6	500	240000	6000	31.5	355	290	p30	SFa21	1	3	
HMI 4000 W/DXS	4008321210203	4000	200	24	500	380000	6000	36	405	340	p15	SFa21	1	3	
HMI 4000 W/DXS	4052899152601	4000	200	24	500		6000	36	405	340	p15	SFa21-12	1	3	
SOLAR															
HMI 6000 W/DXS	4008321210210	6000	123	55	500	570000	6000	54	450		p15	S25.5	1	4	
HMI 12000 W/DXS	4008321210227	12000	160	84	500	1150000	6000	64	470		p15	S30	1	5	
HMI 18000 W/DXS	4008321370280	18000	225	86	500	1700000	6000	70	500		p15	S30	1	6	
HMI 24000 W/DXS	4008321355805	24000	280	88	500	2300000	6000	83	500		p15	S30	1	7	

HMI® EVENT lamp types

Product reference	Product number	K	W	V	A	Beam	lm	t [h]	Beam	Ø [mm]	LCL Å [mm]	l [mm]	No.
HMI® EVENT													
HMI® 575W EVENT	4052899301726	6900 ¹⁾	575	95	7	G22	49000	1000	any	30	70	145	1
HMI® 1200W EVENT	4052899152673	6900 ¹⁾	1200	100	13.8G	38	110000	1000	any	42	107	200	2

1) Average value on electronic ballast