

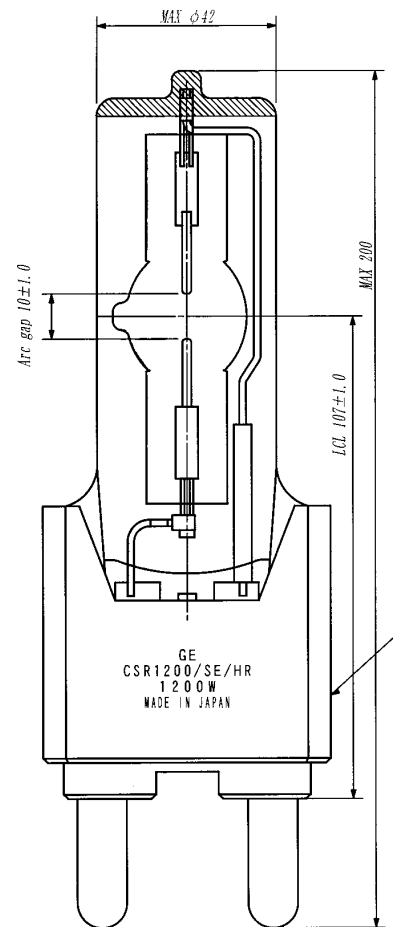
CSR Lamps

The GE CSR1200/SE/HR lamp is a metal halide lamp with an outer jacket and a small arc gap of 10 mm providing greater optical control and luminance. This lamp is compact and suitable for hot restrike applications. The CSR1200/SE/HR is mainly used in event lighting, studio, and film lighting.

Product Description CSR1200/SE/HR

•Order Description	CSR1200/SE/HR
•Product Code	48464
•Pack Quantity	6
•Rated Wattage	1,200W
•Rated Voltage	100±V
•Lamp Current (ECG/MCG)*	12.0A
•Ignition Voltage ^e (cold/hot)	5/55(MAX)
•Lumens	110,000 Lm
•Lumens per watt	92
•Ra	>90
•Chromaticity coordinates	x 0.323 y 0.328
•Color temperature	6,000K
•Arc Length	10(MAX)mm
•Lamp length	MAX200
•Light center length	107±
•Lamp diameter	MAX42
•Average rated life	750hr
•Base	G38

*ECG = electronic control gear/ MCG = Magnetic control gear



Lamp Operation

Burn Position	Any
Maximum Seal Temperature	350° C
Cooling	Forced Cooling/Fan
Lamp can be used on electronic or AC magnetic Ballast/igniters	

Application Information

- Do not exceed rated wattage or voltage
- Replace lamp at or before rated life
- Do not exceed rated seal temperature
- Use only with properly rated fixtures and ballasts

Distributor:



GE imagination at work



Phone: 407-857-8770

Fax: 407-857-8771

Email: sales@techni-lux.com