

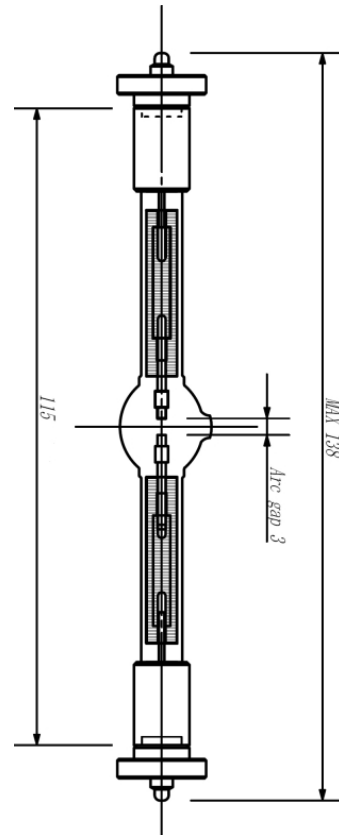
CSR 400S/DE/75



The GE CSR400/S/DE/75 lamp is a compact double ended metal halide lamp with a small arc gap of 3 mm providing greater optical control and luminance. This lamp is suitable for hot restrike with maximum seal temperatures up to 500°C.

Product Description

Order Description	CSR 400S/DE/75
Product Code	22478
Pack Quantity	10
Rated Wattage [W]	400
Rated Voltage [V]	49
Lamp Current [A]	8.5
Ignition Voltage Cold/Hot [kV]	2.5/25
Lumens [Lm]	26,000
Lumens per watt [lpw]	65
Ra	80+
Color temperature [K]	7500
Arc Length [mm]	3
Maximum Lamp length [mm]	138
Light center length [mm]	Not Applicable
Lamp diameter [mm]	15
Average rated life [hrs]	1000
Base	SFc10-4 with notch



Lamp Operation Application Information

Burn Position	Universal	<ul style="list-style-type: none"> • Do not exceed rated wattage or voltage • Do not exceed rated seal temperature • Replace at or before rated life of 1000 hours • Do not exceed rated seal temperature • Use only with rated fixtures and ballasts
Maximum Seal Temperature	500°C	
Ballast	Electronic/AC magnetic	
Cooling	Electronic/AC magnetic	



GE imagination at work

GE and General Electric are both registered trademarks of the General Electric Company, USA. © General Electric Company (USA) 2006

GE Consumer & Industrial Specialty Lighting is constantly developing and improving its products. For this reason, all product descriptions in this brochure are intended as a general guide, and we may change specifications time to time in the interest of product development, without prior notification or public announcement. All descriptions in this publication present only general particulars of the goods to which they refer and shall not form part of any contract. Data in this guide has been obtained in controlled experimental conditions. However, GE Lighting cannot accept any liability arising from the reliance on such data to the extent permitted by law.

CSR 400S/DE/75 - Data Sheet - February 2009

Distributor:



Phone: 407-857-8770

Fax: 407-857-8771

Email: sales@techni-lux.com