

*New from Swefog*

# K FAMILY

SMALLER, FASTER, SIMPLER



The K family is designed for the up and coming light designer and DJ as well as for the most experienced Swefog user. The K family is smaller, lighter, simpler and even more affordable, yet still as genuine as its bigger sisters. First out is K1, a water based haze generator. K5 and K7 are two powerful fog generators, and the K9 will be the first water based fog generator with fully variable fog density control. The K Family is expected to release during 2019.

#### MINIMAL FOOTPRINT

The smaller design simplifies flight casing and the machines can be transported and stored in any position without risk of leaks. It also makes a minimal footprint on stage. All K members utilize LED illuminated fluid container level.

#### BAG-IN-BOX EQUALS ECOLOGY AND ECONOMY

The K family use Swefog's Oktagon™ bag-in-box fluid containers saves 75% of plastics and are 100% leak-proof. It also prevents the fluids from aging, saving both money and the environment. And as a bonus, the whole box including the PE plastics are fully recyclable.

#### OLED DISPLAY

All models of K use OLED displays with superb contrast. The logical menu system is easy to use even for a first time user. Many functions are automatic, including fluid empty detection.

#### THE PERKS

- One minute only heat-up time.
- High output with less fluid usage.
- Continuous operation at all output levels.
- Silent operation with seamless fan speed control.
- Integrated WaveGuide™ for direction of air flow.
- One 3 L Oktagon™ BiB container is enough for up to 75 hrs of continuous operation.
- DMX 512, featuring full RDM for communicating with light desk.
- USB interface for service & firmware updates.
- Smooth, linear fog output at all levels, 1-100%.

#### FLUIDS

K1 uses a special molecular haze fluid. 3L BiB as standard, 25 & 220 L available for permanent installation.

#### MADE IN SWEDEN

All Swefog generators are built with premium components, handcrafted and manufactured in Sweden.

The K family is no exception.



TRUE COLOR™



# ULTIMATE FAMILY

*True Color™ haze generators*



The 5th generation of the Ultimate series is compact, easy to use and creates a perfect lighting designer's canvas. Featuring crystal-clear atmospheric haze, maximum gain of brightness and True Color™ rendering.

#### TRUE COLOR™ HAZE

Ultimate 2000 & 3000 are True Color™ hazers. When used with the applicable fluid your lighting and ambience tones render naturally and as you initially intended. Small haze particles increase resolution of the atmosphere, and the haze is virtually invisible until it is illuminated.

#### CALM HAZE

Efficient output distribution with hang time up to four hours effortlessly brings calm haze to your venue.

#### FLUID CONSUMPTION

Ultimate 2000 & 3000 only uses 50 ml (1.9 oz) of fluid per hour at full output & continuous operation. One 5L (1.3 U.S. gal) fluid canister will last for approx. 80 (!) hours.

#### POWER ON & GO

Instant on, no warm-up time required and the hazers can operate manually and through DMX.

#### QUIET OPERATION WITH ULTIMATE 3000

Compressor and haze units can be used as one compact hazer or placed separately up to 25 m (82 ft) apart for whisper-silent operation.

#### MADE IN SWEDEN

The Ultimate series is built with premium components, handcrafted and manufactured in Sweden.

#### SPECIFICATIONS

Fluid consumption	0.05 ltr (1.9 oz.) per hour.
Reservoir capacity	2.0 ltr (0.53 US gallon)
Continuous running time	appr. 40 hours
Haze color	True white
Particle size	0,7 - 1 micron
Warm-up time	None
Fluid types	SWEFOG ULTIMATE C FLUID, C-XL FLUID and CRYSTAL FLUID
Included air hoses (U3000 only):	1x 0.5m (20"), and 1x 10m (33 ft)
Optional air hoses (U3000 only):	16m (52.5 ft), and 25m (82 ft)
Operating voltage	230 V, 50 Hz
Power consumption	580 W

#### ULTIMATE 2000



#### ULTIMATE 3000



SWE  FOG

swefog.com

**100 %  
LEAK-PROOF**

# Swefog Duramax series X3 Intellahazer

Preview brochure

Heavy-duty European-made, high quality flight case, made for touring & rental use.

Anti-shock rubber suspension

Same high output as the well-known Xeon II. The hazer can use 3 types of fog fluid; XTR (extra light), MD (medium), HD (High density).

High output radial fan, adjustable speed 10 - 100%

Integrated vertical wave guides 0-45° allows seamless adjustable direction of haze output beam



Bag-in-box fluid container, 100% leak-proof, can be stored and shipped in any position. Illuminated fluid compartment, for quick view of fluid level.

Ergonomic control panel with illuminated keypad & display. Alphanumeric clear text display.



Powercon connector for 230V Full DMX control + 0-10V analog.

**TECHNICAL DATA**

<b>General:</b>	
Type:	Vaporizing haze generator
Output volume:	0 - 2,500 m <sup>3</sup> / minute (max)
Continuous operation at full output:	Yes
Smoke projection:	0-45 degrees angle, adjustable
Fluid consumption:	0 - 17,5 ml / min (1,050 ml / h max)
Fluid capacity:	5L SmartBiB bag-in-box
Fluid type:	All Swefog Neutral-Pro water based fluids (SmartBiB)
Heat-up time:	5 minutes
Fan type:	108mm 70W high output air turbine
<b>DMX channels required:</b>	2 (1st output, 2nd fan)
Low fluid shutoff:	At completely empty fluid bag
<b>Electrical:</b>	
Mains voltage supply:	230V 50Hz
Power consumption:	1,800W / 8A@230V
Mains connector type:	Neutrik PowerCon
<b>Mechanical:</b>	
Weight (net):	15.5 kgs (w/o case)
Weight (boxed):	27.5 kgs (with case, w/o fluid)
Dimensions case w front & rear lids on:	W540 x D660 x H220 mm



**SWEFOG**

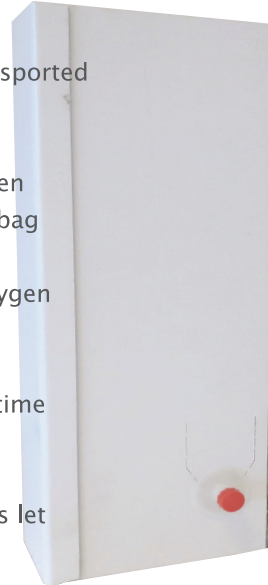
BRING LIGHTING TO LIFE

www.swefog.com

# Comparison: Swefog SmartBiB™ vs. plastic canister

The all-new Swefog SmartBiB™ bag-in-box system is the first leak-proof container system ever offered in a fog machine. Moreover, SmartBiB offers lots of features not available with common plastic canisters:

- Leak-proof, no loose caps, fog machine can be stored, transported and even used in any position.
- Oxygen-free environment; bag is made with a special oxygen barrier (EVOH), prevents oxygen from transfer through the bag material. Compared with common polyethylene (PE) plastic canisters, a SmartBiB bag transfer 100,000 (!) times less oxygen through the bag material.
- Longer shelf life + fog fluid does not start to age from the time consumption starts ("container is opened").
- Bag collapses flat while fluid is consumed, no air (oxygen) is let into the fluid while it is consumed.
- Infallible design: prevents fog machine operator from using wrong type of fluid.



## QUESTIONS & ANSWERS:

SmartBiB:

Plastic canister:

<b>YES</b> ✓	OXYGEN-FREE FLUID ENVIRONMENT FROM PRODUCTION TO LAST DROP OF FLUID?	<b>X NO</b>
<b>YES</b> ✓	DOES CONTAINER COLLAPSE FLAT WHILE FLUID IS CONSUMED, AND THEREFORE NO NEED TO LET AIR IN TO CONTAINER ?	<b>X NO</b>
<b>YES</b> ✓	LEAK-PROOF, NO LOOSE SCREW CAPS, NO AIR INLET HOLES?	<b>X NO</b>
<b>YES</b> ✓	CAN FOG MACHINE WITH FLUID BE STORED & TRANSPORTED IN ANY POSITION ?	<b>X NO</b>
<b>YES</b> ✓	IS USER PREVENTED FROM USING INCORRECT FLUID BY MISTAKE ?	<b>X NO</b>

Distributed by:



Phone: 407-857-8770  
 Fax: 407-857-8771  
 Email: sales@techni-lux.com  
 www.techni-lux.com

**SWEFOG**  
 Technology Group AB

Industrivägen 15, 682 33 FILIPSTAD, Sweden.  
 Tel +46-590-122 50  
 info@swefog.com www.swefog.com

## COMPARSION LIST SWEFOG ULTIMATE 2000DMX vs. REEL EFX DF-50:

	Swefog Ultimate 2000 DMX:	Reel EFX DF-50 diffusion™ hazer:
DMX available:	<b>YES</b> <i>Standard, available since 1997</i>	<b>YES</b> <i>Option, available 2005.</i>
Splash-proof DMX panel:	<b>YES</b>	<b>NO</b>
Easy access to nozzle unit for cleaning & maintenance:	<b>YES</b> <i>Release 4 screws only.</i>	<b>NO</b> <i>No access. Tank must be destroyed to bring out nozzle unit, how to mend it?</i>
Replace-able fluid filter:	<b>YES</b> <i>Filter is replaced in 10 seconds.</i>	<b>NO</b> <i>Filter attached to tank bottom with glue.</i>
Fluid tank made with steel & aluminium:	<b>YES</b> <i>All parts made with sheet &amp; solid metal</i>	<b>NO</b> <i>Tank made with plastic.</i>
Increased haze output with the use of a quiet fan:	<b>YES</b> <i>Quiet cross-flow fan</i>	<b>NO</b> <i>Passive fan wheel on compressor, NOT recommended by compr. manufacturer.</i>
Auto-drain of condensed water in compressed air filter:	<b>YES</b> <i>Auto-drain at power off.</i>	<b>NO</b> <i>Manual drain, if forgotten machine is damaged.</i>
Super-rapid internal tube fittings allowing quick during service & maintenance work:	<b>YES</b> <i>Industrial standard heavy-duty fittings</i>	<b>NO</b> <i>Old-fashioned, thick rubber tubes with screw-type clamps, requires a lot of force.</i>
High-power air intercooler with compulsory fan ventilation:	<b>YES</b> <i>High capacity intercooler with constant cool air flow. Forced fan ventilation.</i>	<b>NO</b> <i>Low-capacity intercooler placed underneath compressor, where HOT air comes out (!)</i>
Industrial air inlet filter, grade 3 microns	<b>YES</b> <i>MAHLE, Germany.</i>	<b>NO</b> <i>Standard OEM type filter.</i>
Inlet filter that protects housing from dust & dirt:	<b>YES</b> <i>Easy replace-able filter material</i>	<b>NO</b> <i>Open housing design, lets in dust &amp; dirt.</i>
Compressor lifetime:	<b>MTBF: 8,000+ hours*</b>	<b>MTBF: 5,000+ hours*</b>
RETAIL PRICE:	\$ 2,995.00 <i>USA, including DMX control</i> € 2,999.00 <i>Europe, including DMX control</i>	\$ 2,995.00 <i>USA, including DMX control</i> € 3,195.00 <i>Europe, including DMX ctrl.</i>
Original fluid cost:	\$ 45.00 <i>USA, per gallon</i> € 61.00 <i>Europe, per 5L canister</i>	\$ 45.00 <i>USA, per gallon</i> € 80.00 <i>Europe, per 5L canister</i>

### Swefog Ultimate 2000 DMX:



### ReeIEFX DF-50 with optional DMX:



*This comparison list is updated: DECEMBER -2006.*

*\* MTBF = Min Time Before Failure. Depends on which compressor model that used. Swefog uses a Nexus-type compressor with increased MTBF, from standard 5,000 hrs. to 8,000 hrs.*

**Important notice:**

*All information taken from brochures, internet, technical experiences & distributor information. Due to technical design changes made after the release / update of this comparison list, information may be incorrect.*

*While every effort has been made to ensure that all details are correct at the time of publication, Swefog or the Swefog distributor cannot accept any responsibility for any errors or omissions to product descriptions or specifications.*

*Product design or specification subject to change without notice. Purchase prices may differ due to distributor discounts, taxes or similar charges. Prices are taken from official sources (i.e. distributor's list prices).*

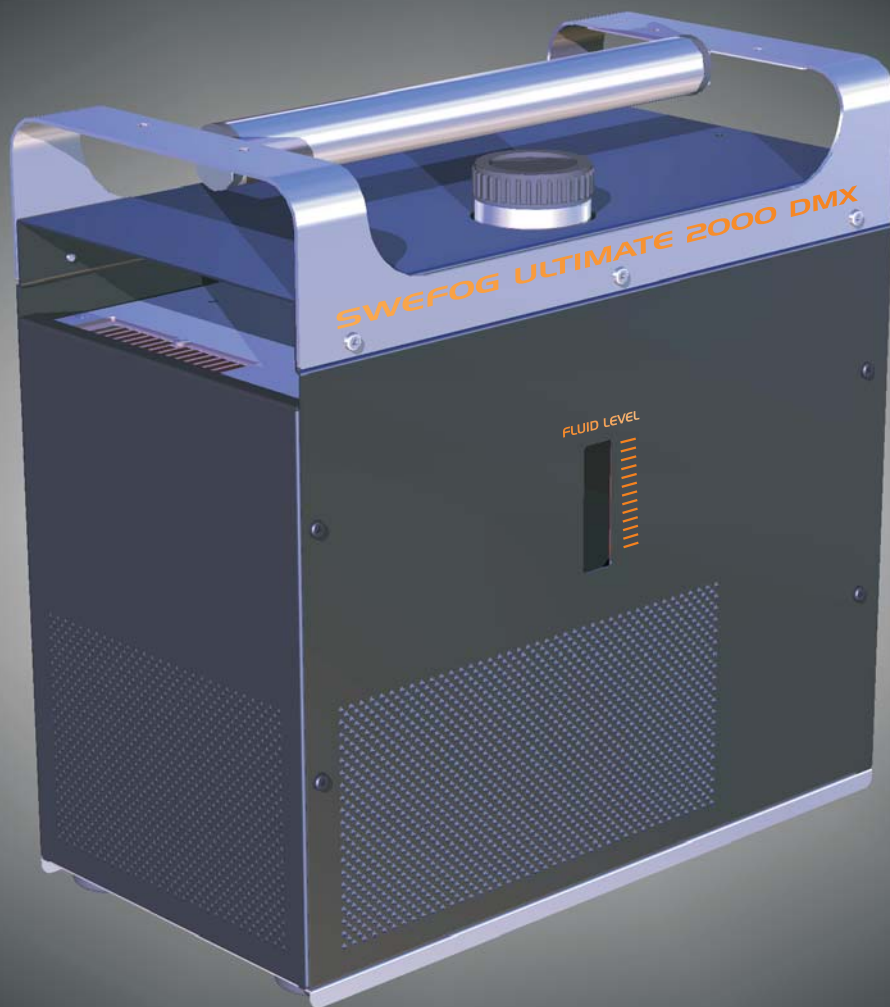
*ReeIEFX and Diffusion hazer are trademarks of ReeIEFX inc. Hollywood, U.S-A. Swefog, the Swefog logo and Ultimate 2000 DMX atmospheric haze generator are trademarks of Swefog Technology Group AB, Sweden.*

*© 1997-2006 Swefog Technology Group AB, Sweden. All rights reserved.*



# '2007 NEW MODEL PRODUCT PREVIEW

## ULTIMATE 2000 DMX



PRESENTING THE ALL-NEW SWefog ULTIMATE 2000. CRAFTED WITH PRECISION AND FINESSE, IT SETS A NEW STANDARD FOR ATMOSPHERIC HAZERS. ULTIMATE 2000 COMES FULLY LOADED WITH INTEGRATED DMX 512 AS STANDARD, AND FULLY INTEGRATED W-DMX AVAILABLE AS AN OPTION.

ULTIMATE 2000 REPLACES THE LEGENDARY ULTIMATE 200, THE PROFESSIONAL'S FIRST CHOICE SINCE 1998.

IN EVERY SENSE, ULTIMATE 2000 IS TRULY A NEW HAZER. IT FEATURES SWefog'S UNBEATED RELIABILITY, HEAVY-DUTY INDUSTRIAL NON-COMPROMISE PRECISION COMPONENTS AND CREATES THE SAFEST, CLEANEST NON-GLYCOL HAZE WITH 3+ HOURS HANG TIME. INSTANT ON, NO WARM-UP TIME, NO GLYCOL, NO WATER, CONTINUOUS OPERATION.

COMPARED WITH ITS COMPETITORS, ULTIMATE 2000 IS THE MOST ECONOMICAL, MOST SERVICE-FRIENDLY, MOST APPRECIATED ATMOSPHERIC HAZER OFFERING THE HIGHEST OUTPUT.

HAND-CRAFTED IN SWEDEN.

**SWefog**  
Technology Group AB

Östra Vägen 6  
682 30 FILIPSTAD  
Sweden  
Tel: +46-590-122 50  
Fax: +46-590-12209  
sales@swefog.com  
www.swefog.com

# '2007 NEW MODEL PRODUCT PREVIEW

## ULTIMATE 2000 DMX

- INSTANT ON, NO WARM-UP TIME, NO HEAT, NO GLYCOLS, NO WATER, NO SPIRITS.
- W-DMX (WIRELESS DMX) FULLY INTEGRATED AVAILABLE AS AN OPTION. FEATURES A CONTROL PANEL WITH RADIO SIGNAL LEVEL INDICATORS, STATUS AND LOG-ON BUTTON. DETACHABLE ANTENNA WITH PROTECTED ON-BOARD CONNECTOR.
- FULLY INTEGRATED DMX CONTROL, USES ONE CHANNEL ONLY. MANUAL OR DMX CONTROL MODE. ILLUMINATED LED DISPLAY, AUTO-STORE OF DMX CHANNEL, PERFECT FOR TOURING USE.
- EXTREMELY LOW FLUID CONSUMPTION, 0.05 LTR (0.01 US GAL) PER HOUR AT CONTINUOUS OPERATION.
- FEATURES A NEW AIR FILTER SYSTEM; IN & OUTLETS ARE PROTECTED WITH AN EASILY INTERCHANGEABLE FILTER MATERIAL, KEEPING INTERNAL PARTS CLEAN.
- NEW, ERGONOMIC HANDLE AND A PERFECT BALANCED DESIGN MAKES ULTIMATE 2000 FULLY PORTABLE.
- AVAILABLE IN 240V 50 HZ (CE) AND 115V 60 HZ (UL) VERSIONS.
- ON SALE: SEP-OCT 2006.



## W-DMX

GO WIRELESS !

ULTIMATE 2000 IS AVAILABLE WITH A FULLY INTEGRATED ON-BOARD WIRELESS DMX SYSTEM.

THE RECEIVER IS FULLY COMPATIBLE WITH WIRELESS SOLUTION'S TRANSMITTERS AND CAN BE USED AS AN INTEGRATED RECEIVER IN A LARGE SYSTEM CONSISTING OF SEVERAL RECEIVERS, TRANSCIVERS, BOOSTERS AND REPEATERS.

READ MORE ABOUT THE W-DMX SYSTEM AT:  
[WWW.WIRELESSDMX.COM](http://WWW.WIRELESSDMX.COM)

 wireless  
solution

Fully compatible

**SWEF O G**  
Technology Group AB

Östra Vägen 6  
682 30 FILIPSTAD  
Sweden  
Tel: +46-590-122 50  
Fax: +46-590-12209  
[sales@swefog.com](mailto:sales@swefog.com)  
[www.swefog.com](http://www.swefog.com)

# ULTIMATE 300

## WHISPER TECHNOLOGY

**THE ULTIMATE 300 IS A HIGH OUTPUT CRACKER HAZER.**

**THE COMPRESSOR AND HAZE UNITS ARE ABLE TO SEPERATE FOR THE ULTIMATE IN QUIET OPERATION.**

**THE HAZER FEATURES THE "WHISPER" TECHNOLOGY. FAN NOISE IS REDUCED, AND IT OPERATES VIRTUALLY SILENT.**

**AVAILABLE WITH INTEGRATED DMX INTERFACE (optional).**



#### **Common features:**

- Instant on, no warm-up time. Continuous operation.
- Air compressor operation. No heat, no water, no glycol.
- Extremely low fluid consumption – 40+ hours runtime, 3+ hours hangtime.
- Integrated DMX control available as an option. Uses one channel only. Decimal-type (no binary) rotary address switches for quick and easy addressing.
- Industry standard quick-lock metal tube fittings. 0,5 & 10 extension tubes supplied.
- Quick & safe lock / unlock operation, with the use of mini butterfly catches.

#### **Haze unit features:**

- Swefog V-tec type B 3-way high output fluid vapor splitters.
- Swefog "whisper" technology reduces fan noise during operation, and the hazer operates virtually silent.
- Swefog EC EasyClean™ nozzle / filter unit, and industrial super-rapid internal tube fittings allowing for quick and easy cleaning without the need of special tools.
- Hydro-glass™ haze filter. Recycles the haze as fluid, back to tank. No wasted fluid ever !
- Self-draining air filter, filter grade 5 microns only.
- Easy to read fluid level indicator.

#### **Compressor unit features:**

- Long-life Nexus™ piston industry standard compressor. MTBF 8,000+ hours.
- High power air intercooler made with aluminium & copper.
- Compulsory fan cooling by a quiet high-speed fan, insures a normal working temperature during many hours of continuous operation.

**DISTRIBUTED BY:**

# Swefog

# ULTIMATE 300

## WHISPER TECHNOLOGY

### THE MACHINE:

The all-new Ultimate 300 combines the superior haze quality from a cracker hazer with the quiet operation of an ordinary hazer. The compressor and haze units are able to separate, and by using an extension tube, the compressor is able to be hidden away for the ultimate in quiet operation.

### THE HAZE:

Ultimate 300 has the same high output and unmatched performance of the Ultimate 200, and is suitable for theatre, concerts, festivals, corporate events or anytime where a clean, safe, dry, virtually invisible haze, and a silent operation is wanted.

### EASY TO MAINTAIN:

Ultimate 300 is equipped with the unique EC 2 EasyClean feature, which facilitates easy and troublefree cleaning of the nozzle unit. Industrial super-rapid internal tube fittings insure quick and easy cleaning without the need of special tools. Internal tubes made with heat-resistant PUR (polurethane).

A new high-power air intercooler and a very effective air filter (filter grade 5 microns only) separates moisture from the compressed air. The air filter is equipped with automatic drain of condensed water, every time your machine is switched off!

The new main air filter cartridge is easy to replace in a second. Keep your hazer functioning like new for its entire life!

### OPTIONS:

Available in two versions, a base model with manual on / off, and a DMX model, with integrated DMX interface and manual override control.

2 years warranty (parts & labor).

### FLUID:

Two kinds of fluid are available, Ultimate C-fluid for normal use, and Ultimate CXL fluid, which is special made for TV or theatre use, where an extremely light haze is wanted.

### Models available:

30 200 – 240 Ultimate 300 Std. 240V 50Hz CE conform.  
30 200 – 120 Ultimate 300 Std. 120V 60 Hz

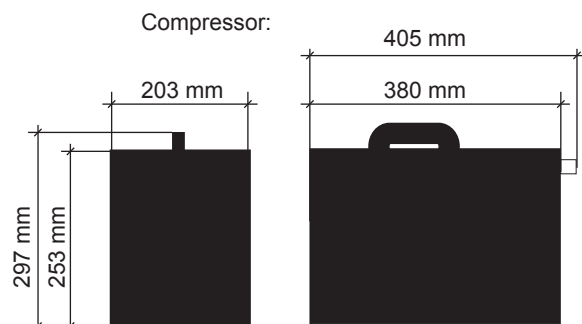
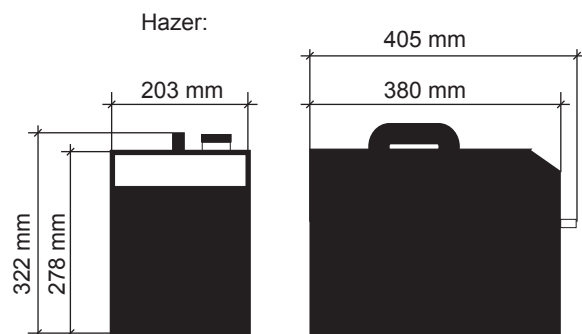
30 201 – 240 Ultimate 300 DMX 240V 50Hz CE conform.  
30 201 – 120 Ultimate 300 DMX 120V 60Hz



### Specifications:

Type:  "cracker" haze generator.  
Fluid type:  Oil based, medical grade  
Fluid consumption:  Approx. 0.06 ltr/hr cont. oper  
Tank capacity:  Approx. 2.5 ltr, 40+ hrs runtime without refilling!  
Operation:  Continuous  
Warm-up time:  None (instant ON)  
DMX interface (option):  Reads ch 1-255, uses one channel only.

Hazer dimensions:  W203 D410 H322 mm (incl. handle)  
Compressor dim:  W203 D410 H297 mm (incl. handle)  
As one unit dim:  W203 D410 H567 mm (incl. handle)  
Weight:  Hazer: 9,2 kgs, compr 14 kgs net  
Power supply:  240V 50Hz 2,1 A, 120V 60Hz 4.9 A.  
Pwr consumption:  240V : 580 Watts, 120V: 590 Watts.  
Warranty:  2 years (parts & labor)



# Swefog

# ULTIMATE 200

## ATMOSPHERIC HAZE GENERATOR

**HIGH OUTPUT CRACKER HAZER.**

**EXTREMELY LOW FLUID CONSUMPTION,  
(0,06 ltr/hour at continuous operation)**

**OUTSTANDING HANG TIME, 3+ HOURS**

**THE HAZE IS VIRTUALLY INVISIBLE UNTIL IT  
IS ILLUMINATED.**

**NO OTHER HAZE - WATER, GLYCERINE OR  
GLYCOL-BASED - COMPARES TO THE HAZE  
OF ULTIMATE 200.**

### FEATURES:

- Instant on, no warm-up time. Continuous operation.
- Air compressor operation, no heat, no water, no glycol.
- Extremely low fluid consumption, 40+ hours runtime, 3+ hours hangtime.
- Integrated DMX control available as an option. Uses one channel only. Decimal-type (no binary) rotary address switches for quick and easy addressing.
- Swefog V-tec type B 3-way high output fluid vapor splitters.
- Swefog EC EasyClean™ nozzle / filter unit, and industrial super-rapid internal tube fittings insures quick and easy cleaning without the need of special tools.
- Hydro-glass™ haze filter. Recycles haze as fluid back to the tank. No wasted fluid !
- Five independent filter systems insures a clean and safe haze. Filter grade 3 microns only.
- Auto-drain of condensed water in the air filter.
- Easy to read fluid level indicator.
- New long-life Nexus™ piston industry standard compressor. MTBF 8,000+ hours.
- Air intercooler made with aluminium & copper. Forced ventilation by a fan.
- 115V 60Hz (U.S. version) or 240V 50Hz (European version, CE conformity)



### SPECIFICATIONS:

Type:  "cracker" haze generator.  
Fluid type:  Oil based (medical grade).  
Fluid consumption:  Approx. 0.06 ltr/hr cont. oper  
Tank capacity:  Approx. 2.5 ltr , 40+ hrs runtime without refilling!  
Operation:  Continuous  
Warm-up time:  None (instant ON)  
DMX interface (option):  Reads ch 1-255, uses one channel only.

Dimensions:  W 203 D 375 H 372 mm (incl. handle)  
Weight:  18 kgs net  
Power supply:  240V 50Hz 2.4 A, 120V 60Hz 4.9 A.  
Pwr consumption:  240V : 580 Watts, 120V: 590 Watts.  
Warranty:  2 years (parts & labor)

### DISTRIBUTED BY:

# Swefog

# ULTIMATE 200

## ATMOSPHERIC HAZE GENERATOR

### THE MACHINE:

The new industry standard for hazers – no other machine offers more value for your money. It creates a safe, dry, clean and virtually invisible haze, which enhances the beams from projected lights. The machine is made with no compromises, and offers quality in every single detail.

### THE HAZE:

The Ultimate II uses no heat to produce the haze, only clean air at low pressure. There are no chemical reactions, and the haze is non hazardous. Technically advanced, the machine is made with industrial quality components, it features five different filter systems which makes the haze very silky, dry & clean.

High output patented 3-way Swefog fluid vapor splitters insure increased output with a quiet cross-flow fan.

The haze consists of very small, dry particles with very high light reflection. The haze reflects the light beams up to 10 times more than a conventional haze. A very small quantity of haze is needed in the environment to enhance the beams from projected lights. The Ultimate haze is virtually invisible until it is illuminated.

No other haze – water, glycerine or glycol-based – compares to the haze of Ultimate II.

### EASY TO MAINTAIN:

Ultimate II is equipped with the unique EC 2 EasyClean feature, which facilitates easy and troublefree cleaning of the nozzle unit. Industrial super-rapid internal tube fittings insure quick and easy cleaning without the need of special tools. Internal tubes made with heat-resistant PUR (polurethane).

A new high-power air intercooler and a very effective air filter (filter grade 5 microns only) separates moisture from the compressed air. The air filter is equipped with automatic drain of condensed water, every time your machine is switched off!

The new main air filter cartridge is easy to replace in a second. Keep your hazer functioning like new for it's entire life!

### HIGH OUTPUT COMPRESSOR:

The new Nexus™ piston compressor is used in all models, and features an outstanding durability. MTBF 8,000+ hours.

### OPTIONS:

Available in two versions, a base model with manual on/off, and a DMX model, with integrated DMX interface and manual override control.

### FIRE ALARMS:

The haze contains no water, and will have no effect on most fire alarm sensors.



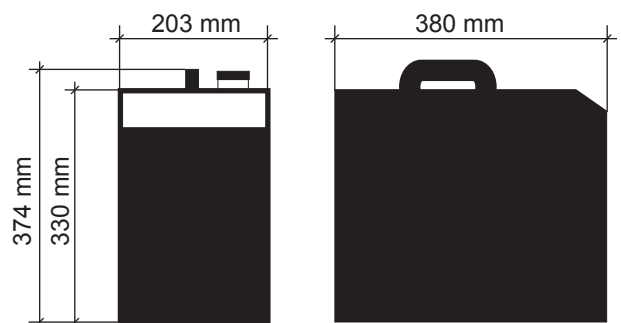
### Models available:

20 200 – 240 □ Ultimate 200 Std. 240V 50Hz CE conformity  
20 200 – 120 □ Ultimate 200 Std. 120V 60 Hz

20 201 – 240 □ Ultimate 200 DMX 240V 50Hz CE conformity  
20 201 – 120 □ Ultimate 200 DMX 120V 60Hz

### Recommended haze fluid:

- 13 605 □ Ultimate C-fluid  
□ Creates a very light haze, very long lasting.
- 13 805 □ Ultimate C-XL fluid 5L  
□ Creates an extremely light haze, medium lasting.



# Swefog

# LIVE T26

X-POWER HD SMOKE PROCESSOR

BORN TO PERFORM

PRESENTING THE ALL-NEW SWEFOG LIVE T26.

CREATED AND CRAFTED TO LOOK AND FEEL UNLIKE ANY OTHER SMOKE MACHINE IN ITS CLASS.

INSIDE AND OUT, CRAFTSMANSHIP PREVAILS AND INGENUITY ABOUND. THE FIT AND FINISH ARE DESIGNED TO COMPETE WITH THE INDUSTRYS BEST.

IN EVERY SENSE, T26 IS A TRULY NEW SMOKE MACHINE. THE HEART IS A HEAVY-DUTY SMOKE GENERATING PLANT, USING SWEFOG'S X-POWER TECHNOLOGY, AND DELIVERS MASSIVE 1,800 CUBIC METERS / MIN OF CLEAN, DRY SMOKE.

FEATURING THE NEW SWEFOG MERLIN R.I.S.C. PROCESSOR-BASED ELECTRONICS, DESIGNED TO BE ONE OF THE MOST ADVANCED, MOST REFINED CONTROL MODULES IN THE WORLD, OFFERS FULL CONTROL AND EASY HANDLING.

THE T26 COMES FULLY LOADED, AND OFFERS MORE OUTPUT, MORE FUNCTIONS AND MORE TECHNICAL INNOVATIONS THAN ANY OTHER MACHINE.

THE WORLD DOESN'T NEED ANOTHER SMOKE MACHINE. WHAT IT NEEDS IS A BETTER ONE.

T26 WASN'T CREATED TO KEEP UP WITH OTHER SMOKE MACHINES. IT WAS CREATED TO PASS THEM. ARTFULLY DESIGNED. CRAFTED WITH PRECISION AND FINESSE. THE ALL-NEW SWEFOG LIVE T26.

BORN TO PERFORM.



# SWEFOG®

OPEN MINDS

# LIVE T26

X-POWER HD SMOKE PROCESSOR

BORN TO PERFORM

## HEAT EXCHANGER:

SWEFOG X-POWER HEAVY-DUTY 2,600W SMOKE GENERATING PLANT.

CAST ALUMINIUM HEAT EXCHANGER WITH DUAL STAINLESS STEEL VAPORIZER COILS. AN INTEGRATED OUTPUT CHAMBER REDUCES FLUID DROPS & BACK PRESSURE NOISE FROM THE HEAT EXCHANGER.

MASSIVE SMOKE OUTPUT 1,800 M / MIN PROJECTS UP TO 20 M.

DUAL HIGH-SPEED 15 BAR FLUID PUMPS.

HEAT-UP TIME 9 MINUTES ONLY.

CONTINUOUS OUTPUT AT 50%.

## CONTROL INPUTS & OUTPUTS:

DMX 512, 0-10V, TIMER, REMOTE & STAND-ALONE OPERATION.

OUTPUT ADJUSTABLE IN 99 STEPS (1-100%), ALLOWS FOR VERY PRECISE ATMOSPHERIC CONTROL.

EXTERNAL FAN OUTPUT (MAX 500W) TRANSFORMS THE T26 TO A HAZER. FAN SPEED CAN BE CONTROLLED IN 99 STEPS (1-100%), MANUALLY OR VIA DMX.

REAL-TIME TIMER: FOG & DELAY TIME ARE PRECISELY ADJUSTED IN SECONDS, THE DISPLAY COUNTS DOWN REMAINING TIME.

MMS - MODE MENU SYSTEM, LAST OPERATION MODES SET AS DEFAULT NEXT TIME THE MACHINE IS SWITCHED ON.

## INNOVATIVE:

LFS - AUTOMATIC WIRELESS LOW FLUID SENSING.

SWEFOG MERLIN R.I.S.C. PROCESSOR-BASED ELECTRONIC CONTROL, SOFTWARE UPGRADEABLE.

EASY-TO-USE SPLASH-PROOF CONTROL PANEL WITH MENU SYSTEM.

ALPHANUMERICAL DISPLAY WITH BACKGROUND ILLUMINATION FOR QUICK & EASY READOUT OF SETTINGS & MACHINE STATUS.

AUTO-ON: NO MECHANICAL MAINS SWITCH, MACHINE WILL SWITCH ON AUTOMATICALLY WHEN CONNECTED TO A MAINS OUTLET (PERFECT FOR PERMANENT INSTALLATIONS).

HEAVY-DUTY CARRY HANDLE. CAN ALSO BE USED AS A FLYING BRACKET (REQUIRES OPTIONAL FLYING BRACKET KIT).

## SAFE:

MECHANICAL OVERHEAT PROTECTION OF HEAT EXCHANGER & PUMPS, AUTOMATIC RESET.

DUAL TEMPERATURE HIGH-SPEED SENSORS ENSURES A DRY, CLEAN SMOKE DURING ALL TIMES

ALUMINIUM FLUID CANISTER CAP WITH AN INTEGRATED QUICK-RELEASE FLUID TUBE CONNECTOR AND TUBE SPRING SUPPORT. AUTOMATIC SEAL AND A CHECKVALVE AIR INLET PREVENTS THE FLUID CANISTER FROM DUST AND WATER EVAPORATION.

## ACCESSORIES:

MANUAL REMOTE CONTROL

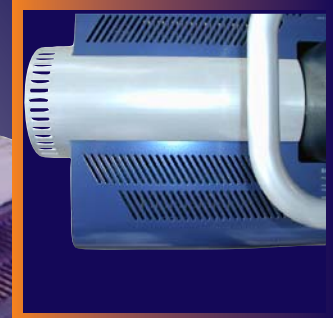
FLYING BRACKET KIT, INCLUDES BRACKET, CLAMPS & DRIP TRAY.

DUCTING SYSTEM ADAPTOR KIT, INCLUDES ADAPTOR FOR 102 MM (4") DUCTING.

## POWER



## DESIGN



## TECHNOLOGY



Type:  
Output:  
Smoke projection:  
Fluid consumption:  
Fluid capacity:  
Fluid type:  
Heat-up time  
No. of DMX-channels required:  
Low fluid shutoff:  
Power consumption:  
Dimensions w/o fluid:

Vaporizing smoke generator  
0 - 1,800 cubic meters / min.

approx. 20 m

0 - 250 ml / min

5 L

Swefog waterbased smoke & haze fluids.

approx. 9 minutes

2 (1st smoke, 2nd fan)

approx. 0,5 L

2,600W @ 240V 50Hz

L 596 x H 265 x W 318 mm

L 23.5 x H 10.4 x W 12.5 in.

19 kgs

Weight:

Exterior colors:

Hi-gloss Midnight blue metallic /

black / aluminium silver metallic.

Swefog uses powder paint from DuPont™.

# SWEFOG®

SWEFOG TECHNOLOGY GROUP AB

P.O. BOX 106, SE-682 23 FILIPSTAD, SWEDEN.

Tel: +46 590 122 50 fax: +46 590 122 09

E-mail: [info@swefog.com](mailto:info@swefog.com)

[www.swefog.com](http://www.swefog.com)