



More than Control

LED Lighting Control System

www.liteputer.com.tw

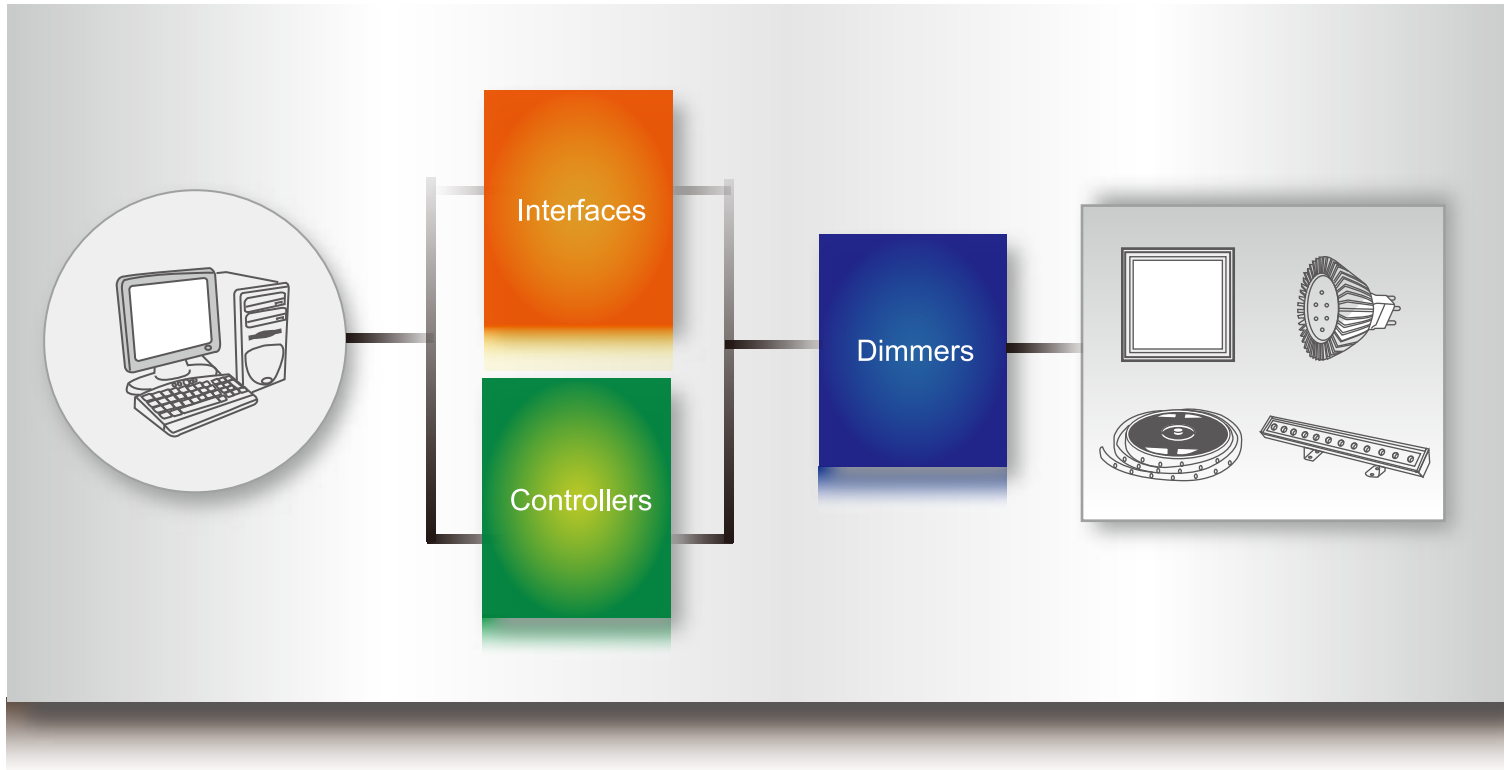


Introduction

Lite-Puter has been established in Taiwan in 1978. Over 30 years, Lite-Puter has become a leader of professional lighting control systems. Since August 2010, Lite-Puter headquarters has been moved to Neihu Technology Park, the R&D center of worldwide famous Hi-Tech companies in Taiwan, to expand our business in worldwide and provide better service to customers. In the future, Lite-Puter will focus on providing energy-efficient and eco-friendly products to make contribution to the society.

Lite-Puter's LED control systems not only enhance LED's color-dynamic effects but also bring great dimming performance. The system is compatible to DMX-512 and is able to control up to 192 DMX universes. Lite-Puter also offers a wide variety of LED dimmers and drivers to match different LED lamps.

System Diagram





Contents

Dimmers

Page.04-09

Controllers

Page.10-13

Interfaces

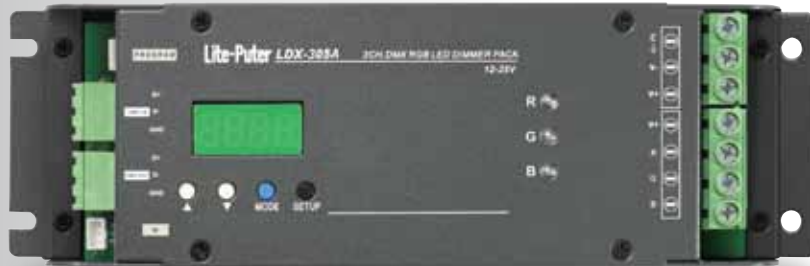
Page.14-17

ODM

Page.18-19

LDX-305A/ LDX-405A

3 / 4 - channel constant voltage LED dimmer



Features

- Built-in 31 standalone modes
- 7 scenes (SC1~6+OFF)
- Connectable to ECP control panel and IR remote (optional)
- Power: DC 12-28V
- Protocol: DMX-512/ RS-485 (EDX)
- Capacity: 3/4-channel, 5A per channel;
 >20V 3A per channel;
 >20V 5A per channel for short time usage
- Signal connector: 3 PIN green terminal
- Dimensions: 234(W) x 75(H) x 40 (D) mm
- Weight: 400g

Accessories (Optional)



IR receiver
W11.20205348

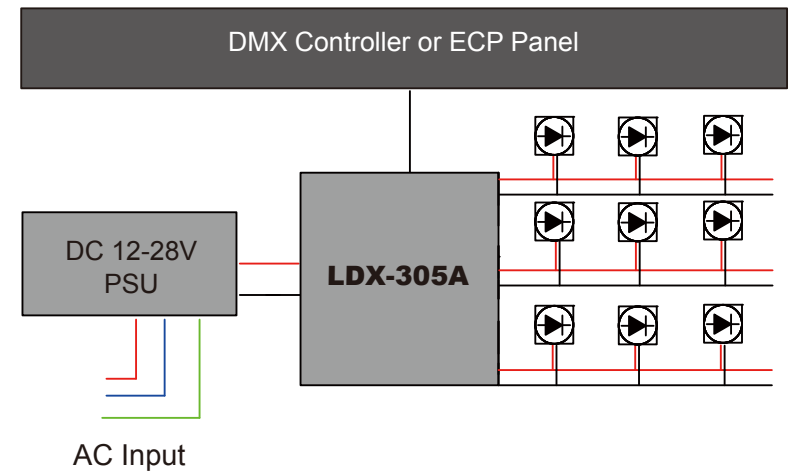


IR remote
IR-0501

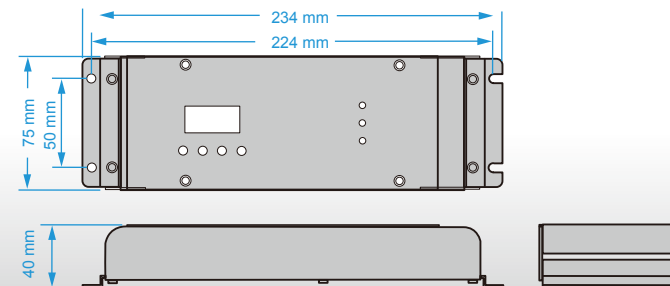


Control Panel
ECP-202 ECP-106

Wiring



Dimensions



LDX-403A

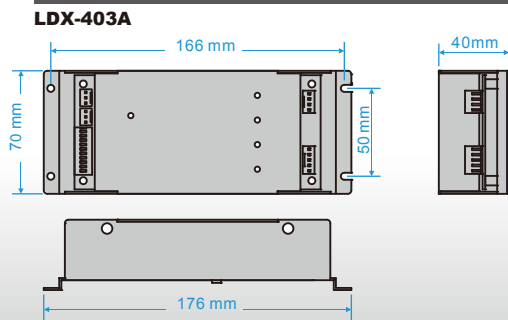
4 - channel constant voltage LED dimmer



Features

- Dip switch for DMX start channel address setting
- Auto addressing
- Overload/ overheat protection
- Power: DC 12-28V
- Protocol: DMX-512
- Capacity: 4-channel, 3A per channel, total: 12A
- Signal connector: 2PIN green terminal x2
- Dimensions: 176(W) x 70(H) x 40(D) mm
- Weight: 200g

Dimensions

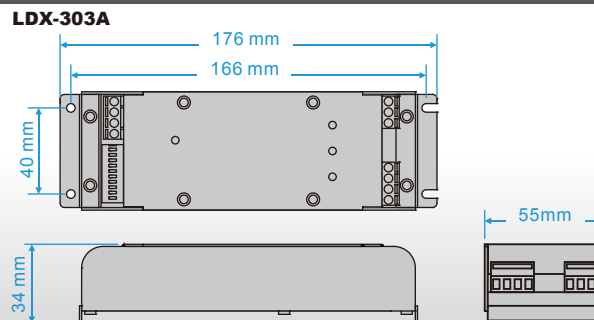


LDX-303A

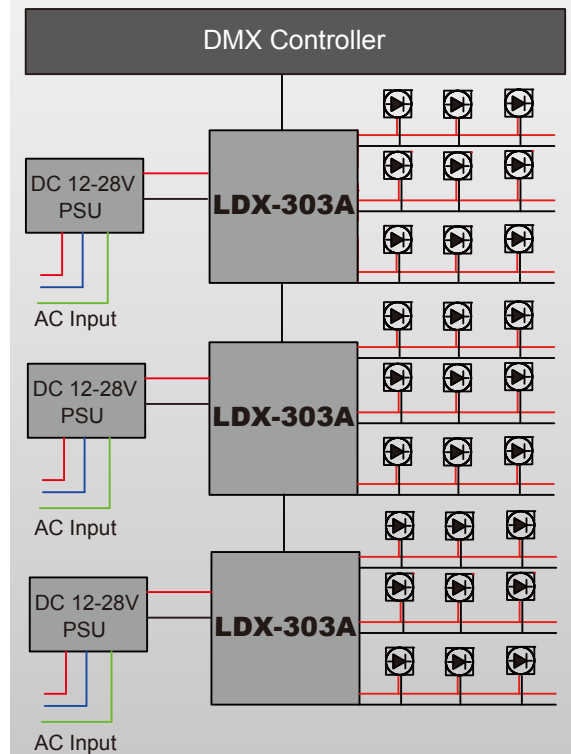
3 - channel constant voltage LED dimmer



- Dip switch for DMX start channel address setting
- Auto addressing
- Overload/ overheat protection
- Power: DC 12-28V
- Protocol: DMX-512
- Capacity: 3-channel, 3A per channel, total: 9A
- Signal connector: 2PIN green terminal x2
- Dimensions: 176(W) x 55(H) x 34 (D) mm
- Weight: 200g



Wiring



LDX-1201

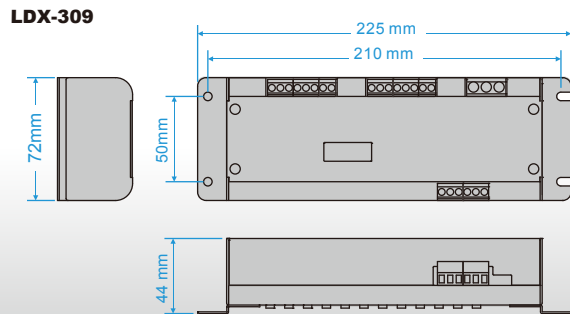
12 - channel constant voltage LED dimmer



Features

- Dip switch for DMX start channel address setting
- Power: DC 12-28V
- Protocol: DMX-512
- Capacity: 12-channel, 1A per channel, total: 12A
- Signal connector: 3PIN green terminal x2
- Dimensions: 225(W) x 72(H) x 44 (D) mm
- Weight: 420g

Dimensions

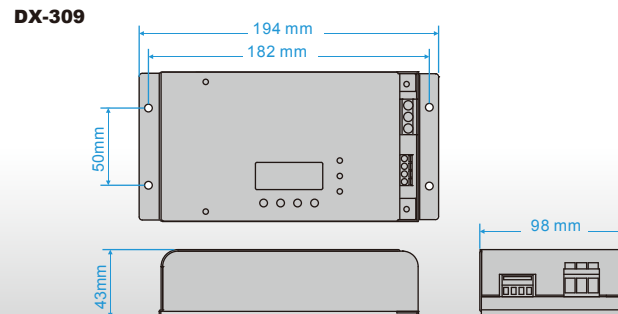


DX-309

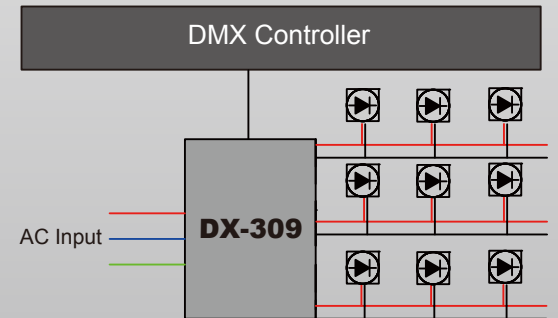
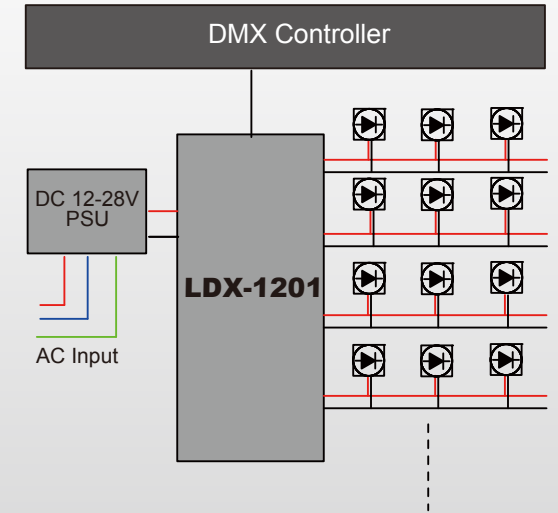
3 - channel constant voltage LED dimmer



- Connectable to PC through USB interface
- One master controller can connect up to 256 slave controllers
- As master controller, the DMX start address can set from 1 to 512 channels
- Power: AC 90-240V
- Protocol: DMX-512
- Capacity: DC 24V, 350mA per channel
- Signal connector: 6P4C, RJ11, 4PIN green terminal
- Dimensions: 194(W) x 98(H) x 43 (D) mm
- Weight: 700g



Wiring



LD-1025

1 - channel constant voltage LED dimmer

Smooth and stable dimming effect even at the lowest brightness!

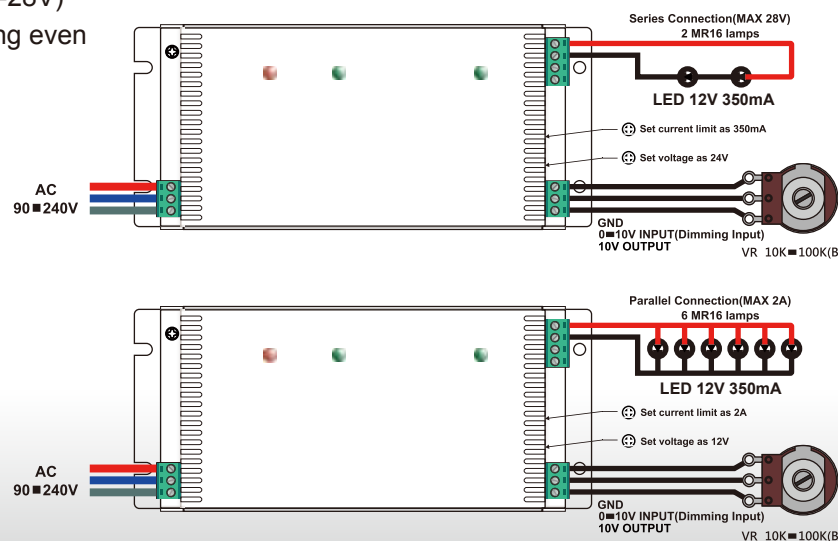


Most LED dimmers are subject to flicker when output level is under 10%. Therefore, the dimmable inputs of most LED dimmers are 1 – 10V DC rather than 0 – 10V DC, or LEDs will be flickering when dimmable input is under 1V (10%). Lite-Puter has developed a new LED dimmable driver: LD-1025 to solve this problem. LD-1025 is a constant voltage LED dimmable driver with adjustable voltage output from 9V to 28V and with current limit functionality from 100mA to 2000mA , making it suitable for most LED applications. Controlling by an external 0 -10 V analog signal, LD-1025's PWM control is the key of its precise dimming output. The most distinct advantage is that the output to LEDs is filtered as DC, which ensures no flickering even at the lowest dimming level. No matter what kind of applications, LD-1025 is one of the most professional and versatile LED dimmer.

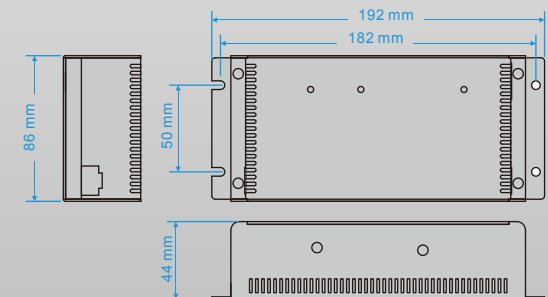
Features

- High flexibility by adjustable DC output (9V-28V)
- Precise 0-100% dimming effect, no flickering even in the lowest dimming level
- Current limit adjustable (100mA-2000mA)
- Power: AC 90-240V
- Protocol: analog (DC 0-10V)
- Capacity: DC 9-28V, 2A
- Dimensions: 192(W) x 86(H) x 44 (D) mm
- Weight: 390g

Wiring



Dimensions



LD-103

1 - channel constant voltage LED dimmer



Features

- Power: DC 12-36V
- Capacity: 1 channel, 2A
- Dimensions: 55(W) x 95(H) x 24 (D) mm
- Weight: 150g

LDX-301

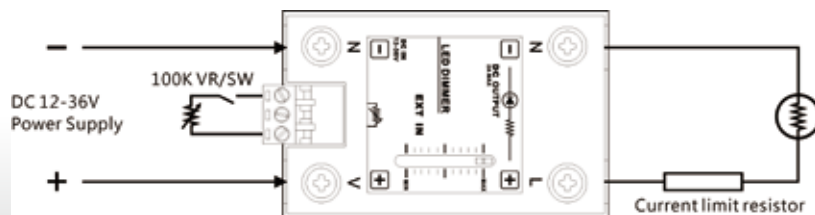
3 - channel constant current LED dimmer



- 3 control channels for R, G and B
- The current for each channel can be adjusted from 60mA to 1A
- Power: DC 12-28V
- Protocol: DMX-512
- Capacity: 3 - channel, 1A per channel, total: 3A (suitable for common anode LED fixture)
- Signal connector: 3PIN green terminal
- Dimensions: 140(W) x 60(H) x 32 (D) mm
- Weight: 160g

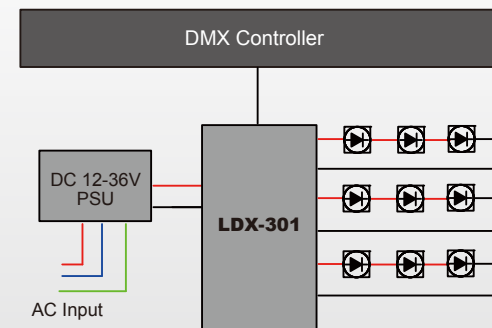
Wiring

LD-103



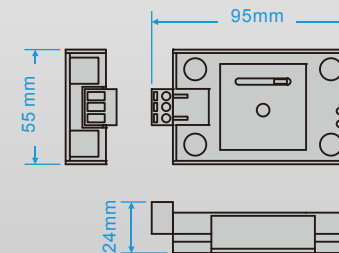
Wiring

LDX-301

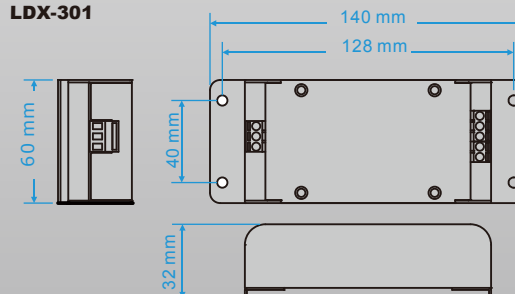


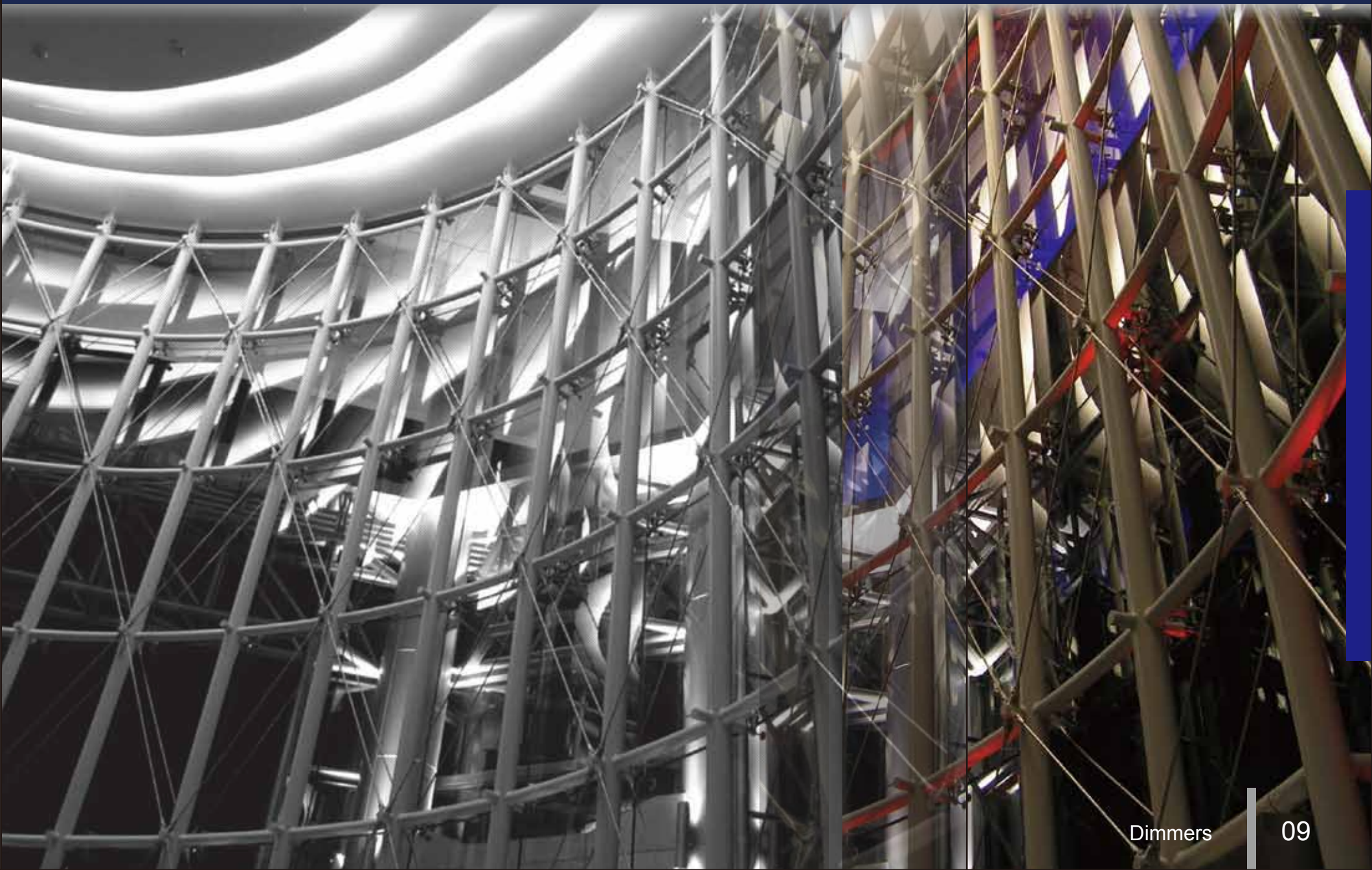
Dimensions

LD-103



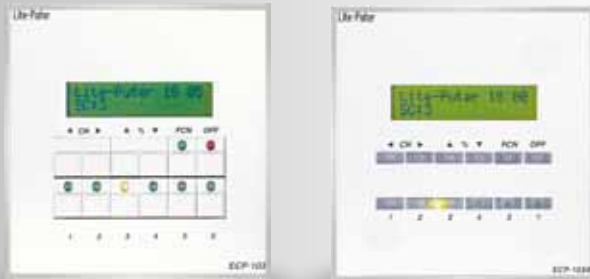
LDX-301





ECP-1030J / ECP-103AJ

60 - channel LED Wall Control Panel



Features

- Control 60 channels for RGB color mixing, 4 color mixing modes
- 40 programmable scenes
- 6 programmable chaser in 24 steps
- Event scheduler
- Power: DC 12V
- Protocol: DMX-512
- Signal connector: 6P4C RJ11
- Mounting: mounts in US 2-gang box
- Dimensions: 116(W) x 120(H) x 45 (D) mm
- Weight: 300g

Accessories (Optional)



Wallbox
M15.02010201



Adaptor
X02.01R07201

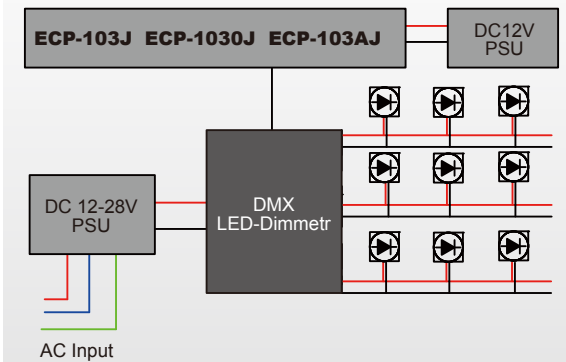
ECP-103J

60 - channel LED Console



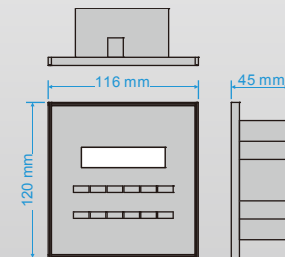
- Control 60 channels for RGB color mixing, 4 color mixing modes
- 40 programmable scenes
- 6 programmable chaser in 24 steps
- Event scheduler
- Power: DC 12V
- Protocol: DMX-512
- Signal connector: 6P4C RJ11
- Dimensions: 125(W) x 177(H) x 55 (D) mm
- Weight: 800g

Wiring

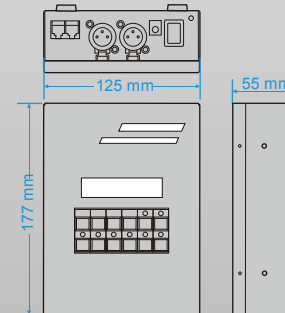


Dimensions

ECP-103AJ



ECP-103J



ECP-110T

Glass Wall Control Panel



Features

- 6 scenes
- 256 dimming resolutions
- One ECP-110T can control up to 8 zones simultaneously in multi-zone mode
- Key Lock /unlock function
- IR receiver
- Two dry contact inputs
- Automatically adjusted backlight
- Protocol: RS-485 (EDX)
- Signal connector: 4PIN green terminal
- Mounting: mounts in European wall box
- Dimensions: 86(W) x 86(H) x 21(D) mm
- Weight: 130g

Accessories (Optional)



Adaptor
X02.01R07202



IR remote
IR-0501



Wallbox
M15.04020130

ECP-202

Wall Control Panel



- 6 scenes
- 256 dimming resolutions
- Control up to 7 zones simultaneously in multi-zone mode
- Key Lock /unlock function
- IR receiver
- Protocol: RS-485 (EDX)
- Signal connector: 4PIN green terminal
- Mounting: mounts in European wall box
- ECP-202 dimensions: 86(W) x 86(H) x 29 (D) mm
- ECP-202 weight: 65g

Other Colors



White



Dark Grey



Silver

ECP-106

Wall Control Panel



Other Colors



Golden

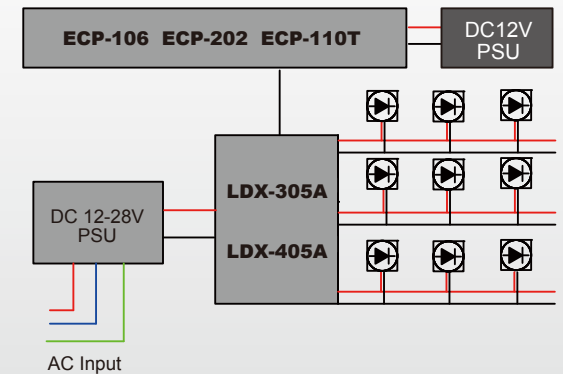


Dark Grey

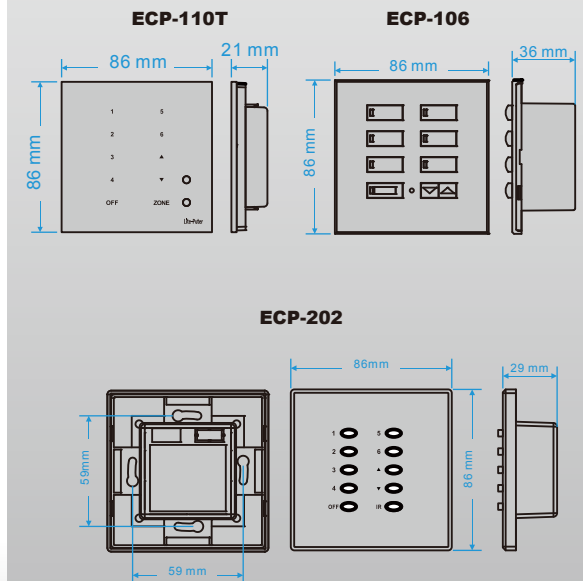


Silver

Wiring



Dimensions



ECP-V01

Wall-mounted Panel



White



Golden

Features

- Ease of use and precise adjustments of lighting levels
- Can work with LD-1025
- Protocol: Analog DC 0-10V
- Signal connector: 3PIN green terminal
- Mounting: Mounts in US single-gang box
- Dimensions: 70(W) x 120(H) x 25(D) mm
- Weight: 100g

Accessories (Optional)



Wallbox
M15.02010101

CX-2

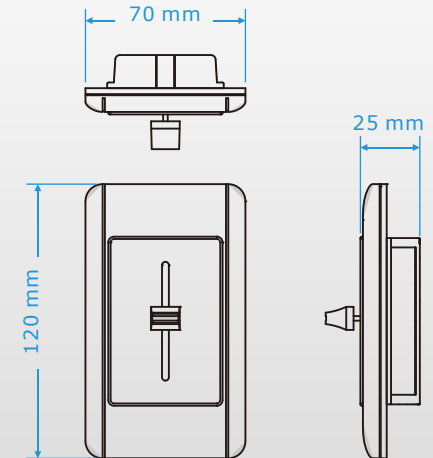
6 - Channel DMX Mini Console



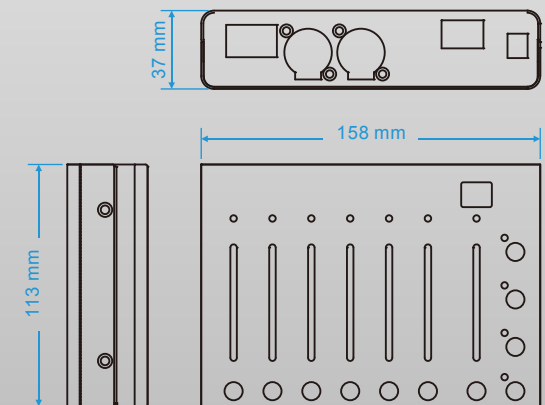
- LED screen can display the dimming value and chaser speed
- 6 scenes
- Chaser functions
- Power: DC 12V
- Protocol: DMX-512
- Signal connector: XLR 5PIN/ 6P6C phone jack (RJ11)
- Dimensions: 158(W) x 37(H) x 113(D) mm
- Weight: 665g

Dimensions

ECP-V01



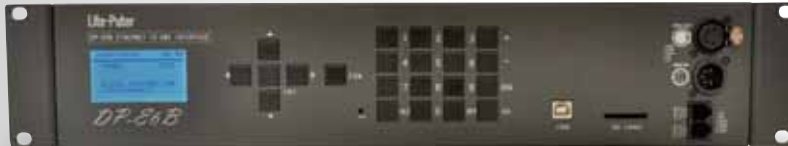
CX-2





DP-E6B

DMX / EDX Central Controller

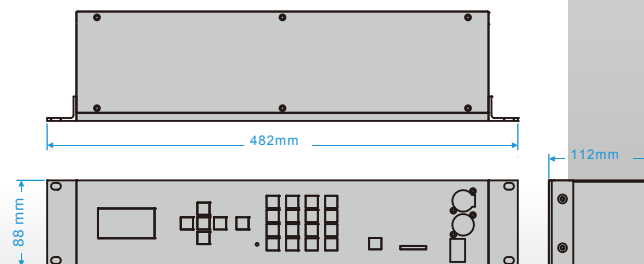


DP-E6B is a highly flexible Ethernet to DMX/EDX interface. It can control all DMX-512 devices as well as Lite-Puter's EDX devices. It is ideal for most residential and commercial lighting applications by its capabilities of allocating the system up to 128 zones, 6 scenes for each zone. Automated lighting controls can be realized by its built-in event schedulers and astronomical timers, saving the energy and labor cost. DP-E6B is also a web-based controller. It can be easily programmed in most web browsers and integrated into network infrastructures. No matter what kind of lighting project, DP-E6B offers the highest compatibilities and flexibilities.

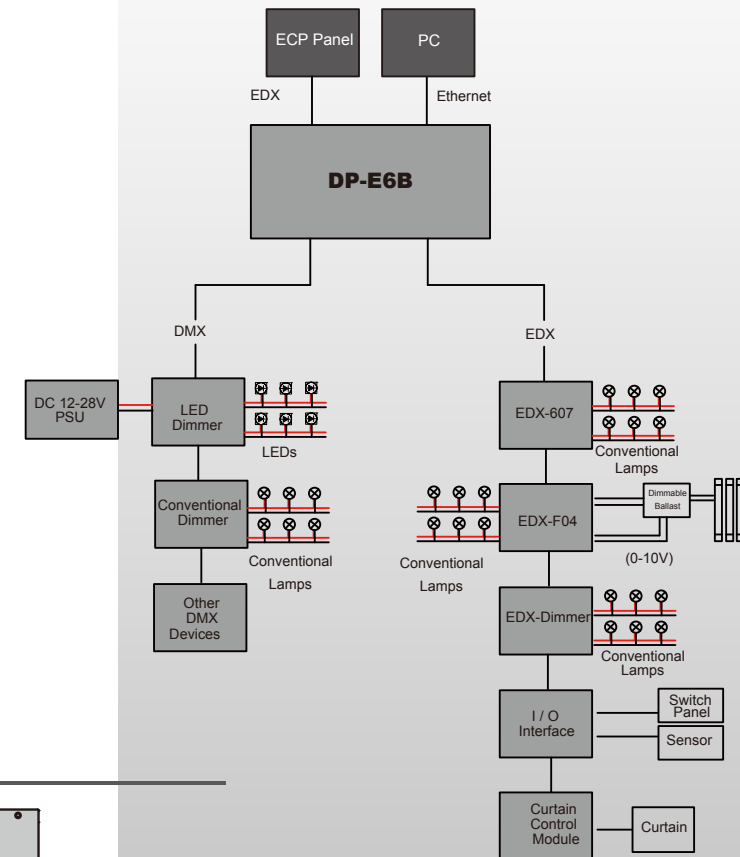
Features

- DMX/ EDX monitor
- Can recall scenes by ECP control panels
- Can set 128 zones, store and recall 896 scenes. Each scene can control 512 channels
- Fade in/ fade out time setting for each scene
- Event scheduler with built-in astronomical clock and perpetual calendar
- 8MB memory (up to 16G by SD/ SDHC card)
- Data can be stored inside DP-E6B or in SD card and can be backed up to PC
- Power: AC 90-240V
- Protocol: DMX-512, RS-485 (EDX)
- Signal connector: 4PIN green terminal, 6P4C RJ11, XLR 5PIN
- Installation: 19"2U standard rack
- Dimension: 482(W) x 88(H) x 112(D) mm
- Weight: 2Kg

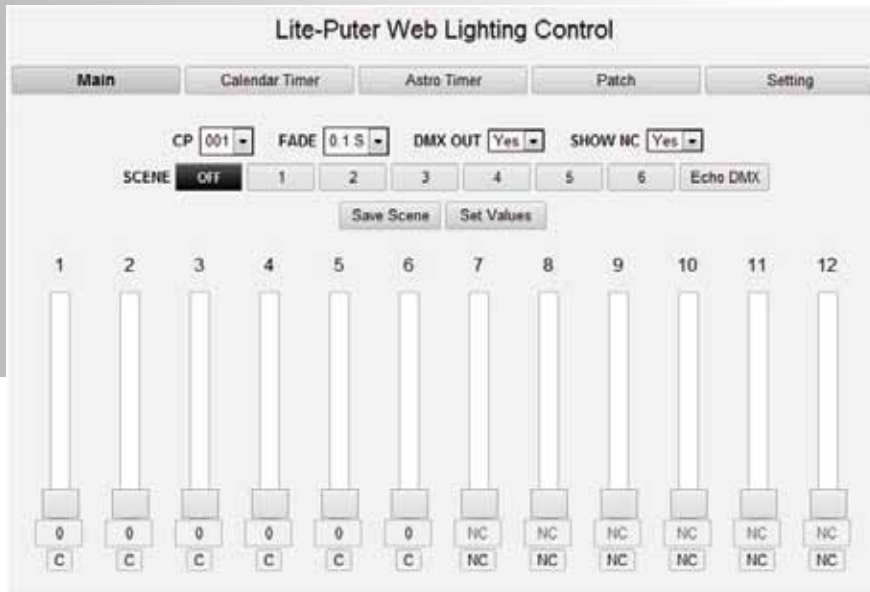
Dimensions



Wiring



Lite-Puter Web Lighting Control



Enable remote lighting control on any platforms.

Lite-Puter “Web Lighting Control” is a cross-platform web-based application. No matter what kind of operation system you use, “Web Lighting Control” can be run on most web browsers through wireless/wired network. By its friendly user interface, remote access capabilities, and cross-platform feature, “Web Lighting Control” is a powerful and convenient application for centralized lighting control systems.



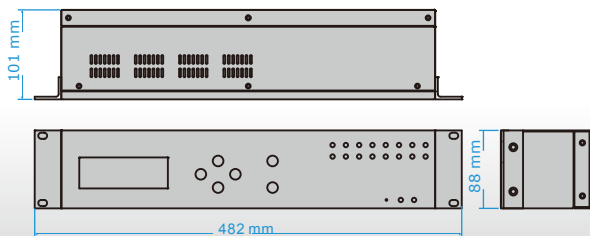
DP-E4000

4096 - Channel Ethernet Interface



Features

- Can exchange data between Ethernet and DMX controller to realize the PC-based lighting control
- Connectable to RGB Pro and RGB lighting control software
- Eight universes of DMX-512, which can control up to 4096 channels
- 8 DMX in/ out indicators
- Power: AC 90-240V
- Protocol: DMX-512
- Signal connector: 6P4C RJ11, XLR 5PIN
- Installation: 19"2U standard rack
- Dimension: 482(W) x 88(H) x 101(D) mm
- Weight: 2.2Kg

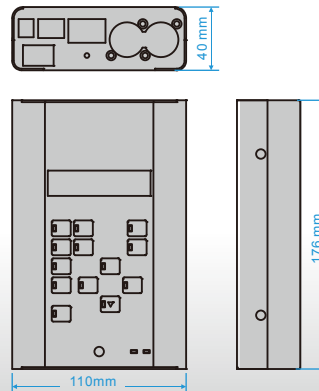


DP-E450

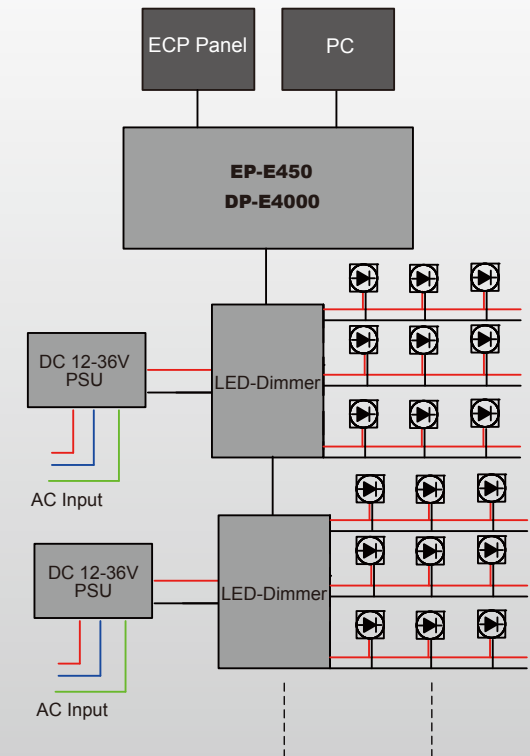
1024 - Channel Ethernet Interface



- Can exchange data between Ethernet and DMX controller to realize the PC-based lighting control
- Connectable to RGB Pro and RGB lighting control software
- Two universes of DMX-512, which can control to 1024 channels
- Can be controlled by IR remote: IR-0501
- Power: DC 12V
- Protocol: DMX-512/ RS-485 (EDX)
- Signal connector: 6P4C RJ11, XLR 5PIN
- Dimension: 110(W) x 176(H) x 40(D) mm
- Weight: 660g



Wiring



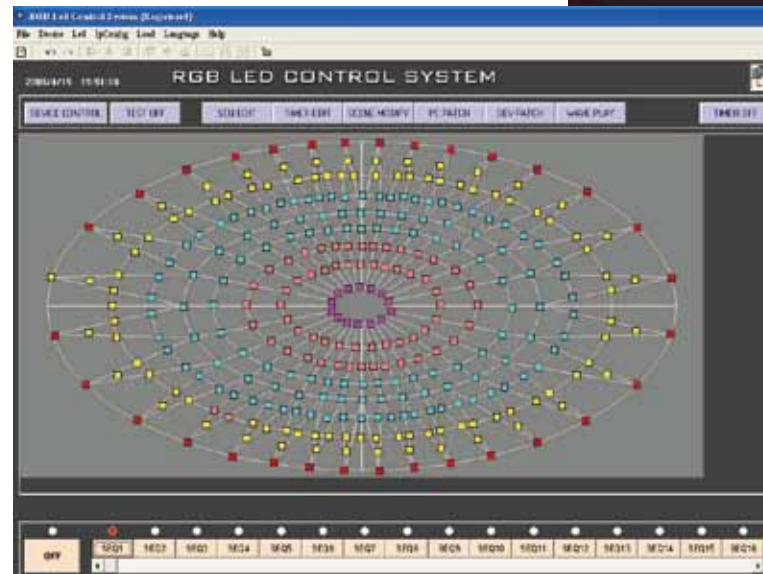
Software

LED Control Software (RGB Pro)

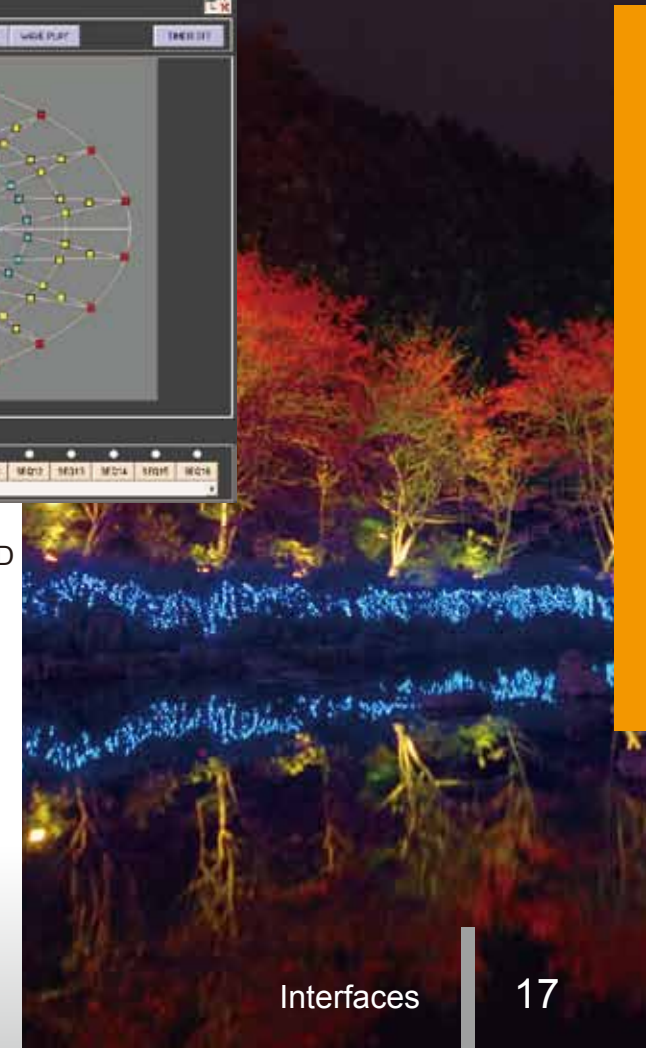


- Support devices: DMX-512 compatible LED fixtures or LDX series dimmers
- Can control 32,768 channels (512CH x 64) 256 event scheduler
- Support AVI and RMVB
- Up to 32 video groups, each group includes up to 16 videos to play repeatedly

LED Control Software (RGB)



- Support devices: DMX-512 compatible LED fixtures or LDX series dimmers



We provide customized design to match your special request.

BOB.SA23000C

6 - channel constant current driver



Power: DC 12-36V
Protocol: DMX-512
Capacity: 6 - channel, 700mA per channel, total: 4.2A
Dimension: 91 (L) x 68 (W) mm

BOB.SA19000C

3 - channel constant current driver



Power: DC 12-36V
Protocol: DMX-512
Capacity: 3 - channel, 350mA per channel, total: 1.05A
Dimension: 103 (L) x 25 (W) mm

BOB.SA17000C

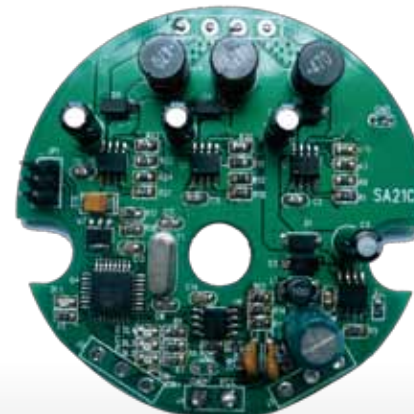
6 - channel constant current driver



Power: DC 12-36V
Protocol: DMX-512
Capacity: 6 - channel, 350mA per channel, total: 2.1A
Dimension: 142 (L) x 31 (W) mm

BOB.SA21000C

3 - channel constant current driver



Power: DC 12-36V
Protocol: DMX-512
Capacity: 3 - channel, 700mA per channel, total: 2.1A
Dimension: R=36mm

BOB.RH19000B

3 - channel constant voltage driver



Power: DC 12-28V
 Protocol: DMX-512
 Capacity: 3 - channel, 700mA per channel, total: 2.1A
 Dimension: 20 (L) x 79 (W) mm

BOB.OC29000B

3 - channel DMX decoder



Transfer DMX signal to PWM signal
 Dimension: 35 (L) x 35 (W) mm

BOB.SG23000A

1 - channel constant voltage driver



Power: DC 12-28V
 Protocol: DMX-512
 Capacity: 1 - channel, 700mA per channel, total: 700mA
 Dimension: 50 (L) x 50 (W) mm

BOB.RH25000A

DMX isolated amplifier



Power: DC 8-24V
 Protocol: DMX-512
 1 DMX input and 2 isolated output
 Dimension: 20 (L) x 79 (W) mm





More than Control
LED Lighting Control System

Lite-Puter

Lite Puter Enterprise Co., Ltd.

11F., NO.189, Gangqian Road, Neihu Dist.,
Taipei City, Taiwan. 11494

Tel: +886-2-27998099 Fax: +886-2-27993828

Website: www.liteputer.com.tw

E-mail: sales@liteputer.com.tw

Lite Puter Technology (Shanghai) Co., Ltd.

Building 5, No.298, Lane 3509, Hongmei South Road,
Minhang District of Shanghai, China 201108

Tel: +86-21-54408210 Fax: +86-21-64978079

Website: www.liteputer.com.cn

E-mail: sales_china@liteputer.com.tw

www.techni-lux.com

Phone (407) 857-8770 Fax (407) 857-8771 Email sales@techni-lux.com

Distributor

