

matthews studio equipment 2016

WISSE

MATHTOUGH™



matthews
studio equipment®

TECHNOLOGY THAT COMPLEMENTS YOUR IMAGINATION

I've been in "the business" for over 50 years, 44 of which have been with Matthews. In the year 2016 Matthews Studio Equipment proudly celebrates its 46th birthday. So for me, our 2016 catalog represents 50 years of unprecedented accomplishments, and the best is yet to come.

With the introduction of this catalog we are previewing many new products and countless improvements on some of MSE's standard gear. Please take the time to peruse our Showcase Chapter One and see how we continue to innovate with new and useful tools for our industry, designed and built by Matthews in Beautiful Burbank California. While we try to make Matthews gear unbreakable, let's face it; unthinkable things happen under the wheels of a five ton! But if it's made by Matthews, it's Mathtough, it's fixable, and we stock the parts to keep all your Matthews gear running for years to come.

These days, I sometimes reflect back on my early days in the business. Originally, it was pulling cable at Universal and eventually working the set of Star Trek. Then my first company, Waynco, manufacturing the original, only commercially sold lightweight Arc light here in Hollywood, New York and Canada. Finally, I ended up at Cinemobile Systems building the buses (an idea for all gear and crew in one double decker bus) a concept of Fouad Said and Aaron Spelling of I Spy fame.



So that was my education; I graduated the SHK (School of Hard Knocks) University with a degree in knowledge of the industry, what the equipment is expected to do and why. Most other companies providing this kind of equipment are without the necessary understanding to comprehend why we do what we do in a particular way and therefore only copy the look without the understanding of function. Moral of my story... There is nothing more important than having knowledge of the equipment – and the ability to support it. Don't be misled. Get the real deal...equipment that is Mathtough.

As always, we are grateful for your continued support and pledge to do our very best in meeting your needs and expectations.

Sincerely

A handwritten signature in black ink that reads 'Ed Phillips'. The signature is fluid and cursive, with a large 'E' and 'P'.

Ed Phillips, President & CEO



Celebrating Over Forty-Five Years In Serving The International Motion Picture, Television, Still Photographic and Theatrical Industries.

- Winner of three Academy Awards for technical achievement.
 - Winner of the 2001 NAB Superior Technology Award.
 - Winner of 2002 Best Production Accessory by the Editors of Videomaker.
 - Winner of the TVTechnology Award presented by TVTechnology Magazine at the 2011 NAB Show
 - Winner of the Black Diamond Award for best new product presented by Digital Video at the 2011 NAB Show
 - Recipient of The President's 'E' Certificate of Exports 2010 as presented by the Secretary of Commerce
 - Every Matthews product is backed by over forty years of experience.
 - Every Matthews product is guaranteed 100% against material and manufacturing defects.
 - Visit our comprehensive web site at www.msegrip.com.
 - View the industry's most extensive line of grip equipment on our web site at www.msegrip.com.
 - View complete assembly drawings and parts lists on our web site at www.msegrip.com.
 - View our worldwide network of qualified dealers on our web site at www.msegrip.com.
 - Dial 1.818.843.6715 and discuss your custom fabrication requirements with an experienced Matthews customer care representative.
- Our Unprecedented
COMMITMENT to RELIABILITY
- Steel threaded helicoil inserts are standard in all aluminum castings to insure thread life.
 - Grip heads employ gimbal (radial) locking to prevent slippage after tightening.
 - Casters are dual locking and non-marking.
 - Stand legs are heat treated for maximum strength and durability.
 - Metal surfaces are polished prior to chrome plating to provide a long lasting corrosion free finish.
 - Brass brake shoes are designed to posi-lock on three points. 1-1/8" and 5/8" receivers also feature posi-lock three point contact.
 - All big stands feature .120" heavy wall tubular construction.
 - T-handles and spin wheels are designed for comfort and leverage.

Technology That Complements Your Imagination.

Visit our fully outfitted showroom and see for yourself why Matthews grip equipment is the hands-down preference of industry professionals worldwide. You are cordially invited to tour our new showroom and manufacturing facility located at 4520 West Valerio Street, Burbank, California 91505 USA

Dial 1.818.843.6715 today and schedule an individualized tour with a qualified Matthews customer care representative.

Terms & Conditions

Pricing & Ordering

Matthews design, pricing and specifications are subject to change without prior notice. Minimum order is \$100.00. Pricing effective April 16, 2016. All pricing shown is list price.

Packing & Handling

Some items will be subject to either a crating charge and/or a handling fee.

Shipping Discrepancies & Returns

All items are shipped FOB Burbank, CA USA with the buyer assuming all shipping charges. Shipping is freight collect unless otherwise specified. A 15% surcharge will be added to all prepaid freight.

Matthews Studio Equipment's responsibility ends upon delivery of the shipment to the carrier. Any loss or damage incurred in transit is the responsibility of the carrier and it's the recipient's responsibility to make note of any visual damage on the bill of lading before signing and taking delivery, to notify the carrier immediately upon discovery of concealed damage.

Discrepancies

Notice of any shipping errors must be made within 72 hours of receipt of goods by calling 1.818.843.6715 with the following information: Purchase Order or Sales order number, Tracking number and description of the discrepancy. A decision on how to remedy the discrepancy will be made at that time.

Returns

In order to return an item for any reason you need to first obtain an RMA number (Return Material Authorization). No returns will be accepted without prior authorization. Call 1.818.843.6715 with the following information: Invoice number and reason for return. If approved an RMA valid for 10 days will be issued. This number must be clearly visible on the outside of the box.

Return shipping is the responsibility of the customer unless specified. All returns are subject to a 20% restocking fee.

Weights & Specifications

Matthews has made a diligent effort to illustrate and describe the products in this catalog accurately; however, illustrations and descriptions, including descriptions of dimensions and weight, are for identification purposes only, and are not warranties that the products will conform to the illustrations or descriptions. Descriptions of output and other performance levels of our product are based on normal use conditions, as well as installation and operation by qualified persons. However, these descriptions are not warranties. Product performance or output may also be affected by state and local regulations on sales, construction, installation and/or use of products. All weights are approximate and have been rounded to the nearest quarter pound if under ten pounds and to the nearest one-half pound if over ten pounds.

Limitations of Liability

In no event shall our company, officers, directors, employees or agents be responsible for any direct, indirect, punitive, special, incidental consequential damages, however, it arises, whether in an action for negligence or some other action, or arising out of or in connection with the comments or advice provided by this site.

Warranty

Matthews Studio Equipment products are warranted against defects for one year from date of purchase. Within this period of time Matthews will repair it without charge for labor or parts. Warranty does not cover transportation costs nor does it cover a product subjected to misuse or accidental damage. Warranty repairs are subjected to inspection and evaluation by Matthews Studio Equipment.

Possession of this catalog is not in and of itself an offer to sell.

Contents of this catalog may be covered by either U.S. Patents, Trademarks or Copyrights. Prior approval is required to reproduce any part thereof.

© Copyright 2016. Matthews Studio Equipment, Inc. All Rights Reserved.

About Our Catalog

Pricing

All pricing shown is List Price.

Legend:

Matthews Part Number / Description / Shipping Weight / List Price
000000 Product Name 00 \$00.00

Metric Conversion Chart

To convert ounces to kilograms multiply the number of ounces by 0.2834995.
Length: 1 inch equals 2.54cm.

Weights and Measures

Measurements shown are U.S. and Metric equivalents. All weights are approximate and have been rounded to the nearest quarter pound if under ten pounds and to the nearest one-half pound if over 10 pounds.

Quick Rounding Chart

1 oz. = .03 kg.	9 oz. = .26 kg.
2 oz. = .06 kg.	10oz. = .28 kg.
3 oz. = .09 kg.	11 oz. = .31 kg.
4 oz. = .11 kg.	12 oz. = .34 kg.
5 oz. = .14 kg.	13 oz. = .37 kg.
6 oz. = .17 kg.	14 oz. = .40 kg.
7 oz. = .20 kg.	15 oz. = .43 kg.
8 oz. = .23 kg.	16 oz. = .45 kg.

1 kg. equals 2.2 lbs.

Contributing Editor

Linda Swope
Sales Manager

Design, Production & Photography

James Bunch
Creative Director

Contributing Photographers

Robert E. Kulesh
Vice President Sales & Marketing

Tyler Phillips

Product Specialist



**Recipient of The
Presidents "E" Award
for Exports**

TABLE OF CONTENTS / INDEX

CHAPTER ONE
NEW PRODUCT SHOWCASE

	PAGE
Vator III	10, 11
Minivator II	12
Backdrop Ears & Quick Reverse Ears	13
Kerri Kart	14, 15
Infinity Arms	16, 17
The Dutti Dolly	18, 19
The Stand Caddy	20
Indy Mount	21
Ricky Rods & Freedom Car Mount	22, 23
Brauer Hostess Tray Kit	24
The Slider Stand	25
Mini Slider Stand	26
Monitor Stand II	27
Matthews Slider	28, 29
The Wedge	30
The CAM Tank	31
Rover	32

CHAPTER TWO
STANDS

	PAGE
MERF Stand	34
Reverse Stand	35
Revenger Stands	36, 37
Back Light Stand	37
Hollywood C-Stand Kits	38, 39
20" Hollywood C-Stand Kits	39
Spring Loaded C-Stands	40
Hollywood C-Stand Accessories	41
Baby Stands – ‘Pony’	42
Hollywood Beefy Baby	43
Budget Wheels	43
Beefy Baby Stand Door Rack	43
Hollywood Baby Junior Stand	44
Hollywood Combo Stands	45
4-1/2" Hollywood Grip Head – ‘Lollipop’	45
Combo Adapter Wheels	45
Combo Door Rack	45
Matthews Digital Baby Stand	46
Matthews Digital Combo Stand	46
Black Aluminum LTWT Digital Stands	47
Aluminum/Steel Triple Riser Combo	47
Magic Stand	48
Runway Base	48
Hollywood Junior & Senior Stands	49
Hollywood Overhead Stands	50
Mini Mombo Overhead/Light Stand	51
Caster Brake Assembly	51
Mombo Combo – ‘Daddy Long Legs’	52
Guy Rope Safety Set	52
Mombo Combo Wheel Adapters	52
Minivator II	53
Vator III	54

CHAPTER THREE
HARDWARE

	PAGE
Matthellini Clamps	56, 57
Extendellini	57
Super Mafer Clamp	58
Double Super Mafer Clamp	58
Grip Head — Snap In	58
Stem Head	58
Offset Arm — Snap In	59
Mounting Plate 4x4 — Snap In	59
Snap In Pins	59
Swivel U-Hook	59
Weld On Snap In	59
Swivel Snap In	59
TVMP Snap In	59
HEX Pin to 1/4-20	59
4-1/2" Hollywood Grip Head – ‘Lollipop’	60
Hollywood Grip Head	60
Mini Grip Heads	60
Micro Grip Heads	60
Junior Stand Extension	61
Baby Stand Extensions	61
Headers	61
Gag & Double Gag	62
Drop Ceiling Scissors Clamp	62
Putty Knife with 5/8" Pin	62
5/8" Female to Female Adapter	62
6" Pin with Collar	62
Adapter	63
Baby Adapter	63
Adapter Kit	63
Baby Pipe Adapter	63
Baby 2fer (Triple Baby Pin)	63
Baby 3fer (Quad Baby Pin)	63
Bar Clamp Adapters	63
TVMP Bale Block	64
Stand/Spud Adapter	64
Junior Baby Adapter	64
Right Angle Baby Pin Adapter	64
Cheater Adapter	64
Baby Plates	65
Junior Wall Plate	65
Receiver Mounting Plate	65
Cheater Plate	65
Baby Swivel Plate	65
Cantrell Holder	66
Foam Core Holder	66
Quaker Clamp	66
Gaffer Grip	67
AFFLAC Clamp	67
Hollywood Superflex Arm	68
Adapter — Baby Pin to 17mm	68
Knuckle Head	68
Scrim Flag Adapter	68
Magic Finger	69
Broken Arm	69
Gobo Arm with Magic Finger	69

CHAPTER THREE
HARDWARE

	PAGE
C Clamps	70
Speed C Clamp	70
Furniture Clamps	71
Heavy Duty Furniture Clamps	71
Condor Bracket	71
Candlestick	71
Set Wall Bracket	72
Bailin Bracket	72
Poultry Bracket	72
Tree Branch Holder	72
Chain Vice Grips & Locking Pliers	72
Matthpoles	73
Wall Spreaders	74
Trapeze	74
T-Bone	74
Extension Ears	74
Meat Axe	75
Mini Meat Axe	75
Trombones	75
Studio Overhead Grip Arm	75
Lightweight Telescoping Hangers	76
Heavy-Duty Telescoping Hangers	77
Bazooka	78
Grip Helper	78
Crowder Hanger	78
Digital Imaging Technician (DIT) Tray	79
Micro Grip	80, 81
Micro Clamp	82
Micro Mount	83
NOGA Arms	84
Mount Options	85
Universal Tablet Mount – The ‘MUT’	86
Monitor Mount & Adapter Plate	87
K-Stackers	88

CHAPTER FOUR
BOOMS & ARMS

	PAGE
Junior Boom	90
Baby Boom	90
Mini Boom	90
Drop Downs	90
Offset Arms	91
Side Arms	91
Heavy Duty Flag Clamp	91
Intel-A-Jib	92, 93
Intel-A-Jib Extension	94
Intel-A-Jib Lite	94
MiniMAX	95
Camera Mount	95
MAX Menace	96, 97
MAX 720 Pipe Adapter & 6' Ext Arm	98

TABLE OF CONTENTS / INDEX

CHAPTER FIVE
TRUSS AND GRID CLAMPS

	PAGE
Flat Side Grid Clamp	100
JK Clamps	100
Big Ben Clamp	100
Baby Grid Clamp	100
Swivel Grid Clamp	100
Junior Grid Clamp	100
Pipe Clamps	100
Lightweight Telescoping Hangers	101
Heavy-Duty Telescoping Hangers	102
Truss Me System	103
MatthNotes	104

CHAPTER SIX
LIGHTING CONTROL

	PAGE
Standard 42"x 42" Reflector	106
Mirrored 42"x 42" Reflector	106
42"x 42" Reflector Scrims	106
Aluminum Hand Reflector	107
Matthboards	107
Pivoting Yoke for Matthboard	107
Polito Bracket	107
Reflector Materials	108
Reflector Boxes	108
Light Duty Butterfly Kit	109
18"x 24" Lighting Control Kit	109
24"x 36" Lighting Control Kit	109
Butterfly & Overhead Frames	110, 111
Corners, Connectors, Ears & Hangers	112, 113
Quick Reverse Ear for 1" Square Tube	113
Fabric Specifications	114-119
Overheads & Butterflies	120-123
RoadRags & RoadRags II	124
Mini Grip	125
RoadRags C-Vival Kit	125
MatthTies	126
RoadFlags II	127
Rag Bags	128
Dots	128
Fingers	129
Flex Scrims	129
Open End Scrims	130, 131
Solid Frame Scrims	131
Flags, Cutters & Floppies	132
Frames Only	133
Diffusion/Gel Frames (Flat Frames)	134
Flag Bags & Scrim Storage Bags	134
High Temp Metal Scrims, Flags & Cutters	135
Hot Flags by Matthews	135
Cucoloris	135
MatthNotes	136

CHAPTER SEVEN
WIRE DIFFUSION

	PAGE
Wire Diffusion	137 -140

CHAPTER EIGHT
BAGS AND BOXES

	PAGE
Sandbags	142
Boa Bags	142
Saddle Bags	143
Shot Bags	143
Sound Blankets	143
Apple Boxes	144
Octagon Board	144
Elephant Blocks	145
Stair Blocks	146
Scrim & Flag Boxes	146
Clip Boards	146
Track & Camera Cribbing/Wedges	146
Ladders	147
MatthNotes	148

CHAPTER NINE
CAMERA SUPPORT

	PAGE
Car Mount Systems	150-154
Magic Riser	155
Ball Head Camera Mounts	156
Ball Heads w/Vacuum Cups	156
Baby Ball Head Adapter	157
Car Mount Accessories	158
Ball Head Camera Mounts	159
Articulated Camera Mounts	159
Vacuum Cups	160
4-Way Tilt Plate	160
Mounting Kit	160
Hood Mount Kit	161
Side Mount Kit & Bracket Assembly	161
Work Horse Clamp	162
Swivel Grid Clamp	162
Baby Grid Clamp	162
Junior Grid Clamp	162
Right Angle Grid Clamp (90°)	162
Tie Down Straps & Leveling Pads	162
Screw Jack Set	162
Low Profile Leveling Head	163
Slide Plate & 2 Way Tilt Plate	163
High Hats	163
Camera Risers	164
4-Way Leveling Head	164
Mini Mitch Leveling Head	164
Claw Ball to Mitchell Flat Base Adapter	164
Adapters	164
Bazooka	165
Lazy Suzy	166
Bazooka & Lazy Suzy Accessories	167
MT-1 Heavy Duty Tripod	168
Matthews Slider	169
The Slider Stand	169
The Wedge	170

CHAPTER TEN
DOLLIES AND TRACK

	PAGE
Round-d-Round Doorway Dolly	172
Doorway Dolly	173
Doorway Dolly Accessories	174
The Centipede	175
Hot Buttons	175
Western Dolly	176
Dolly Track	177, 178

CHAPTER ELEVEN
KITS

	PAGE
Combo Scrim / Flag Kit	180
Hollywood C+ Survival Kit	180
Dot & Finger Survival Kit	181
Flex Scrim Survival Kit	181
Mounting Hardware Survival Kit	182
Reflector Survival Kit	182
6' x 6' Butterfly Survival Kit	183
Scrim/Flag Survival Kit	183
Light Duty Butterfly Kit	184
RoadRags C-Vival Kit	184
18" x 24" Lighting Control Kit	185
24" x 36" Lighting Control Kit	185
MatthNotes	186

CHAPTER TWELVE
TEXTILES

	PAGE
Textiles	188
Griff Clips	189
Fab Tape	189
Muslin Repair Tape	189
Griff Tape	189
Duvetape	189
MatthNotes	190

CHAPTER THIRTEEN
RECOVERS

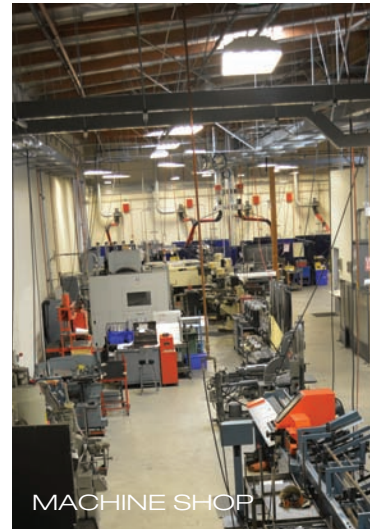
	PAGE
Dot Recovers	192
Finger Recovers	192
Open End Recovers	192
Solid Frame Recovers	193
Flag & Cutter Recovers	193

INDEX

WEIGHTS & MEASURES

MATTHNOTES

One Man's Dream. We All Enjoy the Reality...





MACHINING



FABRICATION



BRIDGEPORT



SEWING DEPARTMENT 'A'



SALES DEPARTMENT



SHIPPING



WAREHOUSE



ASSEMBLY



a view from matthews

Make Your Dreams a Reality...

We are the manufacturer...

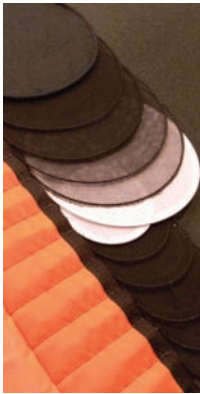
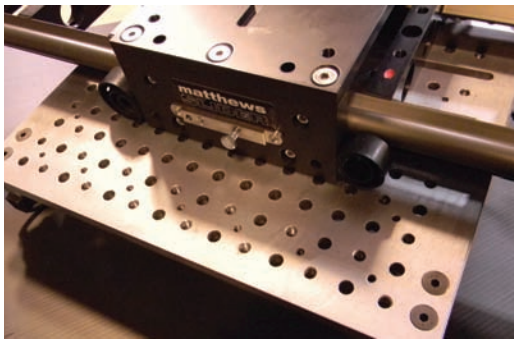
We can make it, modify it, colorize it, engrave it, design it and document it. We work with advanced CAD/CAM software and machine technology. We enjoy working on special projects. We custom fabricate textiles in sizes and shapes not found in our catalog. We machine parts in steel, aluminum, stainless and brass. Matthews will meet your requirements.

Over fourteen hundred products in our catalog and yet sometimes you require a slightly modified widget; a special color, a different height or configuration. Not only can we do it, but we enjoy the process of creating the tools you need to achieve your vision.

How can we do this? We have the capability — the design skills, the engineering, the machine shop. We have state-of-the-art equipment. We have the knowledge and we speak your language.

Matthews: A full service provider of professional Grip, Camera and Lighting Support Equipment.

We are the manufacturer.





*“... the culmination of vision, engineering and execution
from concept through design and field testing — performing
perfectly in every way...every time!”*

30 Years in Development... VATOR III™

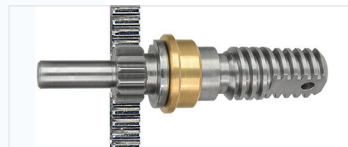
During the past thirty plus years Matthews Studio Equipment has supplied the production community with heavy-duty VATOR cranking stands. From LoBoy VATORS to the SUPER Crank-O-Vators, productions around the world have learned to trust Matthews VATORS for reliable, robust, and large fixture support.

Matthews now introduces the next generation of VATOR stands; VATOR III. The VATOR III family of dependable, safe, cranking stands continues the respected operating and performance characteristics of the past VATORS, while adding new models and features. As always, safety and low maintenance are both key factors in the design, engineering and manufacture on the VATOR III stands.

VATOR III stands are manufactured using the latest CAD-CAM techniques, precision laser cutting/machining and



CNC machining to ensure accuracy and dependability. The 'core' of the VATOR III stands is the precision rack and pinion gear drive mechanism that reduces components within the drive train to only two moving parts. This ensures years of reliable operation with minimal maintenance.



Matthews has such great confidence in the new VATOR III stands that each stand is covered by a three year warranty under normal operating conditions. Excludes wheels and tires. From the LoBoy single riser through the SUPER VATOR III, this new family of Matthews heavy-duty lighting stands will certainly set new standards in reliable large fixture lighting support.



Designed and engineered to be folded and transported in multiple configurations.



521000
LO BOY VATOR III Single Riser

Minimum Folded Height 41" (104cm)
 Minimum Footprint 18" Dia (46cm)
 Minimum Load Height 32" (81cm)
 Footprint 42" Dia (107cm)
 Maximum Height 49" (125cm)
 Weight 60lbs (27kg)
 Capacity 200lbs (91kg)

\$3060.00



521001
LO BOY VATOR III Double Riser

Minimum Folded Height 41" (104cm)
 Minimum Footprint 18" Dia (46cm)
 Minimum Load Height 34.5" (88cm)
 Footprint 42" Dia (107cm)
 Maximum Height 64.5" (164cm)
 Weight 66lbs (30kg)
 Capacity 200lbs (91kg)

\$4080.00



521002
MIDI VATOR III

Minimum Folded Height 48.5" (123cm)
 Minimum Footprint .. 16x19" Dia (41x49cm)
 Minimum Load Height 40.5" (103cm)
 Footprint 54" Dia (137cm)
 Maximum Height 80" (203cm)
 Weight 104lbs (47kg)
 Capacity 200lbs (91kg)

\$5610.00



521004
CRANK-O-VATOR III

Minimum Folded Height 62" (158cm)
 Minimum Footprint 18" Dia (46cm)
 Minimum Footprint 56.5" (144cm)
 Footprint 54" Dia (137cm)
 Maximum Height 135" (343cm)
 Weight 91lbs (41kg)
 Capacity 200lbs (91kg)

\$4590.00



521003
Super VATOR III

Minimum Folded Height 67" (171cm)
 Minimum Footprint 16x19" (41x49cm)
 Minimum Load Height 56" (143cm)
 Footprint 89" Dia (226cm)
 Maximum Height 132" (335cm)
 Weight 130lbs (60kg)
 Capacity 200lbs (91kg)

\$6426.00

Minivator II™

The MINIVATOR II from Matthews is the taller and stronger version of our very popular MINIVATOR stands which Matthews first introduced over 10 years ago.

We have beefed up the payload of the MINIVATOR II from 60 to 80 pounds and added to the maximum height without sacrificing strength, safety or stability. A Rocky Mountain Leg makes the MINIVATOR II ideal for location work and sturdy 4" casters (available as an accessory kit finish off this versatile

stand for stage use. The durable, double cable mechanism keeps both risers traveling at equal proportions with each turn of the handle ensuring firm and steady movement of the lighting fixture to the maximum height. Only 38 effortless turns will take the fixture to full height. A "Combo" dual purpose top casting allows for use of both Junior Pin and Baby Receiver fixtures.

B377705 | MINIVATOR II | \$811.00

B377706 | 4" Wheel Set | \$148.00

SPECIFICATIONS

Maximum Height | 142" (361cm)

Loading Height | 55" (140cm)

Maximum Load | 80lbs. (36.4kg)

Footprint | 58" (150cm)

Weight | 48lbs (21.8kg)



B377705 | MINIVATOR II





409216 | BACKDROP EAR WITH QUIK REVERSE PIN



409525 | BACKDROP EAR WITH ROUND CONNECTOR

Backdrop Ears™

If you're wasting valuable time trying to remove those *%#@! wrinkles from your backdrop fabrics — read this!

Well, Matthews has just the solution that all but permanently eliminates the wrinkling problem associated style ears — Matthews Backdrop Ears. By extending the 409525 Backdrop Ear Round Connector and the 409216 Backdrop Ear Square QUIK Reverse Pin away from the Grip Head through a series of extensions and well designed bends, Matthews has achieved what was virtually impossible to accomplish using the older style ears when hanging lighting control fabrics. Backdrop Ears are available in black only but come in two styles — square and round.

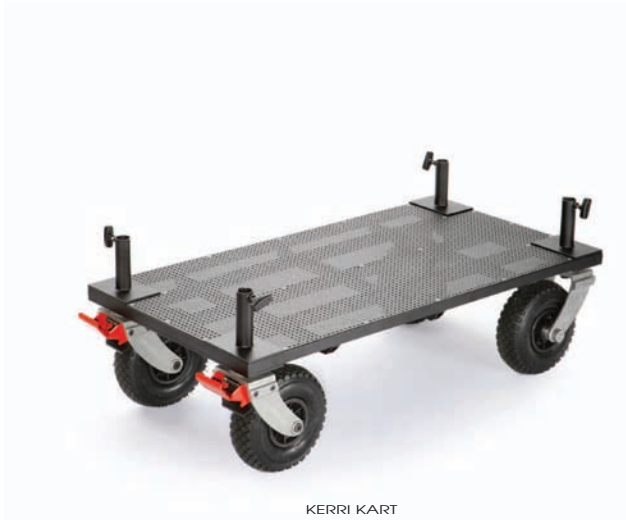
Now what are you going to do with all the time you just saved?

PATENT PENDING.

409525	Backdrop Ear w/1-1/4" Pipe Connector — Black	2	\$80.00
409526	Backdrop Ear w/1-1/2" Pipe — Black	2	80.00
409527	Backdrop Ear for 1" Speed Rail — Black	2	80.00
409216	Backdrop Ear w/Square QUIK Reverse Pin — Black	2	120.00



WRINKLE PROBLEM SOLVED!



KERRI KART



KERRI KART — DIT

Kerri Kart™

A transport kart designed to be customized for your needs. The kart can be configured as a camera kart, a DIT kart, or a production kart with dolly-slider option depending on what is purchased. The Kerri Kart was designed around a lightweight, yet robust rolling base capable of transporting a significant amount of gear while still fitting through a standard doorway. The rest of the kart is built out of standard grip equipment along with a variety of shelving and dolly/slider options.

The Kerri Kart base includes 4 premium pneumatic tires, industry approved Crank-O-Vator wheel forks, and two heavy-duty needle thrust bearings with super crank pedal brakes. The 10 strut dolly frame is heliarc welded out of 6061-t6 aircraft grade aluminum, and topped with lightweight perforated aluminum and four junior receiver plates for securing the telescoping risers.

Kerri Kart | See Website for Pricing

Kerri Kart Specifications

Weight 61lbs (27kg)
 Weight Capacity 1000lbs (455kg)
 Dimensions 24x46x12.5" (609x1168x317mm)
 Height is measured from the ground to the top of the bottom shelf



PREMIUM PNEUMATIC TIRES & BRAKES



MITCHELL, 150M & 100MM BOWL MOUNTS AVAILABLE



COMPUTER SYSTEM/KEY BOARD USING 3-SIDED DIT SHELF



1/4" & 3/8" TAPPED HOLES AROUND PERIMETER OF SHELF



Kerri Kart™ Configurations

Kerri Kart — DIT

- Kerri Kart
- Four 20" Risers
- Three Sided DIT Shelf with Shelf Mounting Hardware
- Shelf Bracket Set

Kerri Kart — Camera

- Kerri Kart
- Four 20" Risers
- Four Sided Shelf with Shelf Mounting Hardware
- Shelf Bracket Set



The four bracket clamps can be placed anywhere on the risers thus ensuring that the dolly remains level even when situated on uneven terrain as simulated by using Matthews Apple Boxes.



Kerri Kart — Pipe Dolly System

- Kerri Kart
- Four 20" Risers
- Pipe Dolly Rigging Kit
- Adjustable Width Rail for different sized dollies.
- Adjusts from 8" - 11.5" for a variety of Pipe Dollies.



429627 | INFINITY ARM KIT

Infinity Arm™

Superior Strength. Interchangeable Tips. Infinite uses...

Infinity Arm is a versatile cine arm used to mount cameras, lights, monitors and anything else you require. The Infinity Arm is a fully articulated arm equipped with 360° rotatable and interchangeable, ball-in-socket, quick release tips for adding and removing accessories quickly and efficiently. The Infinity Arm is the strongest articulating cine arm on the market, with a weight capacity of 15-32 lbs (6-14 kg) depending on the configuration.

The Infinity Arm is manufactured in two identical sections. Both sections are equipped with removable ball-in-socket assemblies at their outer end, and joined at their common center point by a radial rosette, designed to assemble and lock the two independent arms simultaneously into their desired positions for optimal functionality and accessory placement. PATENT PENDING.

429627 | Infinity Arm Kit | \$330.00

Infinity Arm Specifications

- 100% manufactured in California, USA
- Capacity: 15lbs+ (7kg+)
- Length including tips: 10" (w/o tips 9")
- Arm Weight: 1.5 lbs (.6kg)
- Materials: CNC'd Tool Steel and 6061-T-6 Aircraft Aluminum
- Material Finishes: Type 3 military grade black Anodize and a proprietary electroless nickel phosphorus

Infinity Arm Kit Includes

- Infinity Arm
- [2] 1/4"-20 Male Thread Ball Tips
- Soft Carrying Bag

Accessory Tips

- 429626-1 | 1/4"-20 Female | \$33.00
- 429626-2 | 1/4"-20 Male Thread | \$33.00
- 429626-3 | 3/8"-16 Female | \$33.00
- 429626-4 | 3/8"-16 Male Thread | \$33.00
- 429626-5 | GoPro Mount | \$59.00
- 429626-6 | 5/8" Female | \$45.00
- 429626-7 | Mini Mattheilini Clamp | \$65.00
- 429626-8 | Cold Shoe Mount | \$45.00
- 429626-9 | 5/8" Male | \$39.00
- *and many more to come*

Ease of mind with a redundant locking system. In addition to the trigger release, the center knob must be loosened all the way in order to remove the tips.



A 60 section, center rosette for maximum strength and adjustability.



INFINITY ARM SHOWING MALE DISCONNECT

INFINITY ARM ACCESSORIES



429626-7 INFINITY MINI MATHELLINI CLAMP \$65.00



429626-2 1/4"-20 MALE TIP \$33.00



429626-8 COLD SHOE MOUNT \$45.00



429626-9 BABY PIN \$39.00



429626-6 BABY RECEIVER \$45.00



429626-5 GO PRO MOUNT | \$59.00

INFINITY ARM APPLICATIONS



GO PRO MOUNTED ON INFINITY ARM AFFIXED TO MAFER CLAMP



INFINITY ARM AFFIXED TO MAFER CLAMP WITH SONY F55 CAMERA PACKAGE

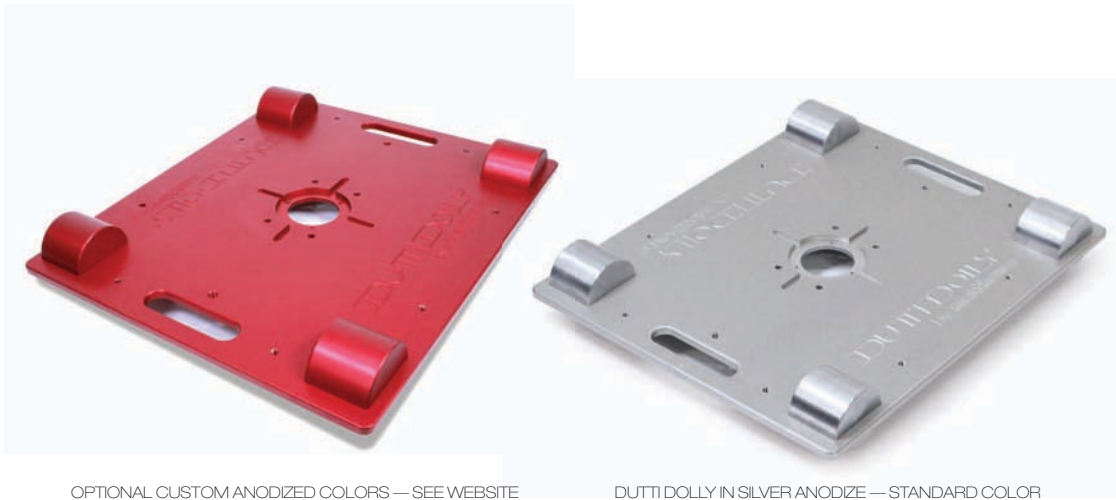


INFINITY ARM AFFIXED TO MAFER CLAMP WITH DSLR HANGING



MATCHBOX LIGHT MOUNTED TO CAMERA

PREMOUNTED TIPS ALLOW FOR QUICK CONNECT/DISCONNECT



OPTIONAL CUSTOM ANODIZED COLORS — SEE WEBSITE

DUTTI DOLLY IN SILVER ANODIZE — STANDARD COLOR

The Dutti Dolly™

An industry verified, multi-functional, portable camera dolly that rides lower and smoother than any other...

“The idea for the Dutti Dolly came from a need by cinematographer, James Muro ASC. He always liked low shots. And to move quickly. So, I looked at various dollies and realized most of them rest higher on a track. I created the Dutti Dolly not only to rest lower - but also to be much more portable.”

“Jim took it everywhere on Rush Hour 3. Fight scenes at the Eiffel Tower. Running shots. And more. Cinematographer Joaquin Sedillo ASC made a lot of use out of it when he was doing shots in the auditorium on Glee. When the aisles were too narrow or the table too close - he was able to put the dolly in the row behind him - and get the shot.”
James Saldutti, Dolly Grip and the inventor of the Dutti Dolly.

Dolly Grip, James Saldutti, also referred to as ‘Dutti’ in the Hollywood community began developing this dolly nearly 15 years ago. Since then, the dolly has become a necessary tool while being used on hundreds of feature films, television shows, and commercials to achieve hundreds of different shots, stunts, gags, and on occasion, some lite skateboarding between takes.

What is the Dutti Dolly?

The Dutti Dolly is a rectangular CNC'd aluminum plate with a built in Mitchell mount, measuring just 20" x 24", which rolls extremely low to the ground at just under 2" in height. The dolly is simple, as it rides on 8 inline skate wheels, which mount in pairs to the 1/2" thick aluminum plate.

- 395400 | The Dutti Dolly | \$1399.00
- B395400 | The Dutti Dolly - Black | \$1499.00
- 395400-11 | The Dutti Dolly Hard Case | \$500.00 — No Discount



DUAL WHEEL DESIGN ALLOWS FOR A LOWER RIDE HEIGHT OF JUST UNDER 2"



RAILS NEST TIGHTLY IN A TUBE FOR STORAGE & TRANSPORTING



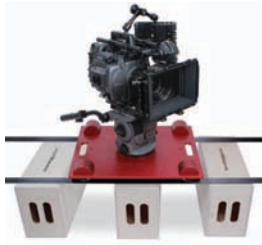
BOTTOM VIEW — NOTE THE SIMPLICITY



DUTTI WINGS ALLOWS FOR TRIPOD APPLICATION



DUTTI DOLLY SHOWN WITH MATTHEWS BAZOOKA



DUTTI DOLLY ELEVATED TRACK USING MATTHEWS APPLE BOXES



DUTTI DOLLY'S 2" RIDE HEIGHT ALLOWS FOR EASY STEPOFF CAPABILITY



DUTTI DOLLY PROVIDES A STEADY PLATFORM IDEAL FOR EXTREMELY LOW SHOOTING



DUTTI DOLLY CONFIGURED WITH MATTHEWS BAZOOKA & OPERATOR SEATING USING RISER & OFFSET ARM COUNTERBALANCE REQUIRED

Key Features

- Extreme low angles w/adaptability for any desired height. The dolly rides at just under 2" in height, on or off track.
- The width, weight, and wheel design of the dolly give the operator the capability of hard whip pans and quick tilts, unlike some of the skate dollies out on the market.
- Will roll directly on the ground floor or any smooth surface, or can be used with track, on or off stands, both over and underslung.
- Inexpensive expendable track can be purchased at any industrial metal supply or home improvement store or you can purchase our Matthews right angle DuttiTrack which comes in 4, 8 & 12 foot lengths. The track nicely stacks/nests for storage.
- The right angle track can be rested on apple boxes to achieve desired camera height.
- The dolly fits in tight spaces where conventional dollies cannot fit... for example, airplane and bus isles, church pews, and many more...
- Great for the long take... Dolly step offs using handheld, steady-cam or gimbal systems.
- Because of its size, speed and mounting capabilities, the dolly is great for stunts or poor man's process shots.
- Mount tripods, bazookas, tilt plates and a variety of adapters directly to the dolly.
- Rigging capabilities are endless due to the numerous tapped holes on the dolly board. Mount multiple dollies together tandem or side by side...or rig lights and props to it easily.

Dolly Specifications

Weight	25lbs (11kg)
Weight Capacity	800lbs (362kg)
Dimensions	20x24x3.5" (508x609x89mm)
Platform Height	1.75" (44.5mm)
Mount ..	Mitchell System, w/75/100 & 150mm bowl adapters

Other Spec Facts

- CNC machined out of billet 6061 T-6 aluminum
- Flat, non-reflective w/type 2 hard anodize
- Little to no maintenance

Dutti Dolly Kit Includes

- Dutti Dolly
- Low Profile Mitchell Tie Down

Accessories

- 395400-11 Dutti Dolly Hard Case
- DuttiWings
- DuttiTrack / 395401 - 4' / 395402 - 8' / 395403 - 12'
- 395400-15 Tube Universal Stand Bracket
- 515025 Mitchel to Elemack Adapter
- 395326 Mini Bazoooka
- 377702 Regular Telescoping Bazoooka
- 395329 Elemack to Mitchell Adapter Bowl Adapter
- 395500 Mitchell Riser Kit | \$180.00 | [4] 2.5" R isers with Mitchell Plate and Mounting Hardware required with 377709 100mm & 377714 150mm Bowl Adapters



UNDER SLUNG



DUTTI DOLLY w/DUTTI TRACK, BRACES & STANDS



395500 RISER & MITCHELL KIT



UNIVERSAL STAND BRACKETS

The Stand Caddy™

The Stand Caddy will hold your gear while in transport from the truck or van and can be lifted off with the equipment securely contained when you use the dolly as a shooting platform. The Stand Caddy is equipped with large rubber feet to protect the floor and can mount either inboard or outboard of the platform without exceeding the 29" width of the doorway dolly. When mounted outboard make sure



there is enough other gear on the opposite end of the doorway dolly platform to counterbalance the weight. The Stand Caddy will accommodate Scrims and Flags up to 24x36 with plenty of room for C-Stands and other lighting stands. The Stand Caddy is the cleanest, safest and most efficient way of maximizing the versatility of your Matthews Doorway or Round-d-Round Doorway Dolly.

395334 | The Stand Caddy | \$645.00

When purchased with the Doorway Dolly or Roundy Dolly.....\$550.00.



Outboard Configuration
Note: Counterbalance Load

Optional Accessories (Below) Sold Separately



395335 | STAND BRACKET | \$140.00



395100-4 | DOORWAY DOLLY | \$175.00
PUSH BAR



INDIE MOUNT™

Great for DSLR, HD, Small ENG, and Action Cameras

The Matthews Indie Mount is an affordable and reliable solution for mounting smaller camera packages to autos, RV's, boats, windows, countertops...virtually any smooth, non-porous surface! The Indie Mount allows the user to securely and safely mount cameras in dozens of places around the exterior and interior of the vehicle. The system uses a combination of MicroGrip technology, Vacuum Cups, one articulating camera mount and our new quick strut triangulating system.

Setting up a car shot with the Indie Mount takes just minutes! Simply mount the main 6" Cup with articulating camera mount, mount your camera, frame your shot, add the support cup and arm, secure your struts and you're off!

The different length Micro Grip rods can be attached via the terminating 1/4-20" threads, giving you a dynamic reach of 4"-32" for the second support cup. The 3" camera riser was included to give you more of a reach when trying to get the camera further away from the car and can also be used as a right angle adapter for that must have profile shot!

415175 | INDIE MOUNT | \$458.00
Supports any camera 8.5lbs (3.9kg) or less

KIT INCLUDES

- 6" (15mm) Vacuum Cup w/Articulating Camera Mount (w/pad protector)
- 4.5" (11mm) Vacuum Cup w/ 5/8"(1.8mm) Pin (w/pad protector)
- MiniGrip Head & MicroGrip Head
- [2] 6' (182mm) Triangulating Quick Struts (75lbs/34kg) load limit per strut
- [2] 12" (30mm) MicroGrip Rods
- 8" (20mm) MicroGrip Rod
- 4" (10mm) MicroGrip Rod
- Shoe Adapter
- 3" (7mm) Camera Riser-Right Angle Adapter
- Carrying Bag

POSSIBLE POV's

Hood, Side/Profile, Window, Roof, Wheel, Rear, Interiors, and many more!

SPECIFICATIONS

- Supports any camera 8.5lbs (3.9kg) or less
- Kit Shipping Weight: 6lbs (2.7kg)
- Kit Shipping Dimensions: 10"x10"x10" (25mm x 25mm x 25mm)
- 1-Year Warranty



Made in the USA

429482 | BRAUER HOSTESS TRAY



Ricky RODS™ & FREEDOM Car Mount System™

FREEDOM Car Mount System

Want to mount a heavier cinema camera on a car, truck, boat or any non-porous surface? No problem – now that MSE's Freedom Car Mount System is here. It's really the creative options that make this car mount different. A 360 degree rotating grip head is secured to your foundation with a 10" vacuum cup, cheese plate and MSE's new Ricky Rods. The swivel head easily slides across two of the Ricky Rods for easy positioning. In addition to rotating 360 degrees, this set up allows for a 90-degree swivel. Because the camera plate uses a standard hole pattern with threads and slots, you can mount using your dovetail slide plate or even place your camera directly on it. Freedom Car Mount kits include right angle adapters for more flexibility when trying to shoot the wheel or a car or get that must-have passenger/driver profile shot. The quick heads are easily and quickly secured because the large T-handle secures both the head and the opposite receiver simultaneously. The package also includes 6" vacuum cups, 2.5" grip heads, and the new quick struts for extra stability and safety. Got an even heavier camera? No problem the system can be beefed up depending on your needs.

415177 | FREEDOM Car Mount System | \$1627.00

SYSTEM INCLUDES

- 10" Vacuum Cup w/ Swivel Head & Swivel Head Camera Mount
- [2] 6" Vacuum Cups w/ baby pin | [8] Ricky Rods | [2] 5/8" Baby Pins
- [2] Right-Angle Ricky Rods | [2] 2.5" Quick Heads
- [2] 2.5" Standard Grip Heads | [2] Quick Struts

ADDITIONAL SYSTEM UPGRADES

- B350585 | Quick Head | \$90.00
- 417022 | 10" Vacuum Cup w/Swivel Head | \$575.00
- 415180 | Swivel Head Camera Mount | \$495.00
- 427000 | 6" Vacuum Cup w/Baby Pin | \$113.00
- 415176 | Quick Struts | \$15.00
- 429679 | 1/2-13 to 5/8" Baby Pin Adapters | \$12.00
- 350580 | 2.5" Grip Head | \$39.00



415177 | FREEDOM CAR MOUNT SYSTEM



415178 | RICKY RODS



415179 | RIGHT ANGLE RICKY RODS

Ricky RODS™ & FREEDOM Car Mount System™

Ricky Rods

No more cutting tube and wasting time during a shoot – now that Ricky Rods are here. While this unique rod support was specifically designed for car mount rigging, they can easily be used for a wide variety of applications. Machined out of 304 stainless steel, these rods come in 10" increments and are extremely strong because they can be screwed together with 1/2-13 steel male and female threads. Highly adaptable – they easily work with all other 5/8" rigging hardware. Setting up a car shot with the Indie Mount takes just minutes! Simply mount the main 6" Cup with articulating camera mount, mount your camera, frame your shot, add the support cup and arm, secure your struts and you're off!

Ricky Rods

415178 | 10" Ricky Rod | \$29.00

415179 | Right Angle Ricky Rods | \$55.00

ACCESSORIES

- Micro-Grip Rods 1/4-20 or 3/8-16 threads (4", 6", 8", 12" & 20" in length)
- MicroGrip Heads
- Mini Grip Heads
- Shoe Adapter
- Mattheinis
- Mini Mattheinis
- 1/4-20, 3/8-16 & 1/2-13 to 5/8" Baby Pins



GRIP HEADS



QUICK HEADS



10" VACUUM CUP



SWIVEL HEAD
CAMERA MOUNT



MOUNTING HARDWARE



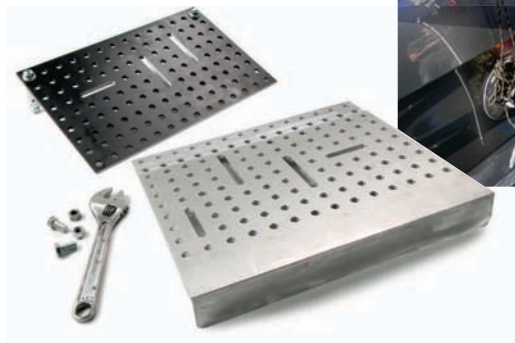
429482 | BRAUER HOSTESS TRAY

Brauer Hostess Tray Kit™

Wanting to get that profile/hostess tray shot and have a place for your coffee and donut at the same time? With the window up while shooting sound or down for some fresh air, or up and down during the take, the Brauer Hostess Tray is the only tray that will do both. The Brauer Hostess Tray will allow you to do all of that and mount nearly any camera package or even a gimbal stabilization system safely and securely in less than 5 minutes. In minutes, the 12"x 14" aluminum cheese plate slips between the window and door of nearly any vehicle and securely ties it to the side of the car with vacuum cups, 5/8" Rods, grip heads and quick struts. In addition, the door can be opened and closed without restrictions, a real convenience for your talent and if you have any mechanical aptitude at all, you can use the ingenious design of the Brauer Hostess Tray to jimmy the door and jack the car. Another first from MSE.

429483
Brauer Hostess Tray (only)
\$495.00

429482
Brauer Hostess Tray Kit
\$1101.00



KIT COMPONENTS

- Brauer Hostess Tray
- [2] 5/8" Pins w/nuts & washers
- [6] Ricky Rods
- [2] Quick Heads
- [2] Grip Heads
- [2] Quick Struts



249561 | THE SLIDER STAND

The Slider Stand™

The Slider Stand meets the demand for a strong, wide based stand with a low working height for those using camera sliders and Speed Rail/Pipe Dolly Systems. It comes standard with two rocky mountain legs for easy leveling on hills, mountain sides, rocky environments, stairs and most other uneven terrain. As a comparison, the Slider Stand minimum working height measures one foot (30cm) lower than the standard low boy combo, giving the camera operator a POV range from hip to eye level. And those Anodized Aerospace inspired designed braces — *They just look really neat!*

249561 | The Slider Stand | \$352.00

SPECIFICATIONS

- Min Height | 24" (61cm)
- Max Height | 46" (117cm)
- Max Footprint | 37" (94cm)
- Collapsed Height | 25" (64cm)
- Weight Capacity | 80lbs (36kg)
- Stand Weight | 14lbs (6.5kg)

FEATURES

- Junior (1-1/8") Receiver
- Military Black Chrome Plated
- Anodized Aerospace Inspired Designed Braces
- Double Rocky Mountain Legs

ACCESSORIES

- 415173 BH Adapter (May be needed to mount your slider/dolly to the stand)
- 388210 Magic Finger (Can be used to angle your slider/dolly)
- 429029 Stand Adapter (Converts the top of the stand to a 5/8" Baby Pin)



Multiple Slider Stands may be required depending on the length and the weight of your slider/camera package.



Stand Adapter converts the top of the stand to a 5/8" Baby Pin.



The Slider Stands utilizes two Rocky Mountain Legs for optimum positioning.



249564 | MINI SLIDER STAND

Mini Slider Stand™

The Mini Slider Stand meets the demand for a strong stand, with an even lower working height than its bigger brother, The Slider Stand. For those using camera sliders and Speed Rail/Pipe Dolly Systems, this stand will get you really low, safely and securely.

249564 | Mini Slider Stand | \$295.00

FEATURES

- Steel Tubes • STEEL Legs (type 2 hard black anodized)
- Military Black Chrome • Machined Welded Junior Receiver

SPECIFICATIONS

- Minimum Height | 20" (51cm)
- Maximum Height | 38" (97cm)
- Folded Height | 21" (54cm)
- Footprint | 19" (48cm)
- Weight | 10lbs (4.5kg)
- Capacity | 60lbs (27kg)

Mini vs The Slider Stand COMPARISON

- Minimum Height | 20" (51cm) vs 24" (61cm)
- Maximum Height | 38" (97cm) vs 46" (117cm)
- Footprint | 19" (48cm) vs 37" (94cm)
- Weight | 10lbs (4.5kg) vs 14lbs (6.5kg)





249562 | THE MONITOR STAND II

Monitor Stand II™ Monitors / Gimbals / Lighting Fixtures

The Monitor Stand II was designed to hold and transport your monitor safely and securely on set or location. It will also accommodate a variety of other accessories, for example: SteadiCam's, Gimbals, Lights and more...

249562 | The Monitor Stand II | \$475.00

FEATURES

- 4" High Quality Tente Casters
- Double Riser
- Military Black Chrome
- Rocky Mountain Leg
- Welded 5/8" Pin

SPECIFICATIONS

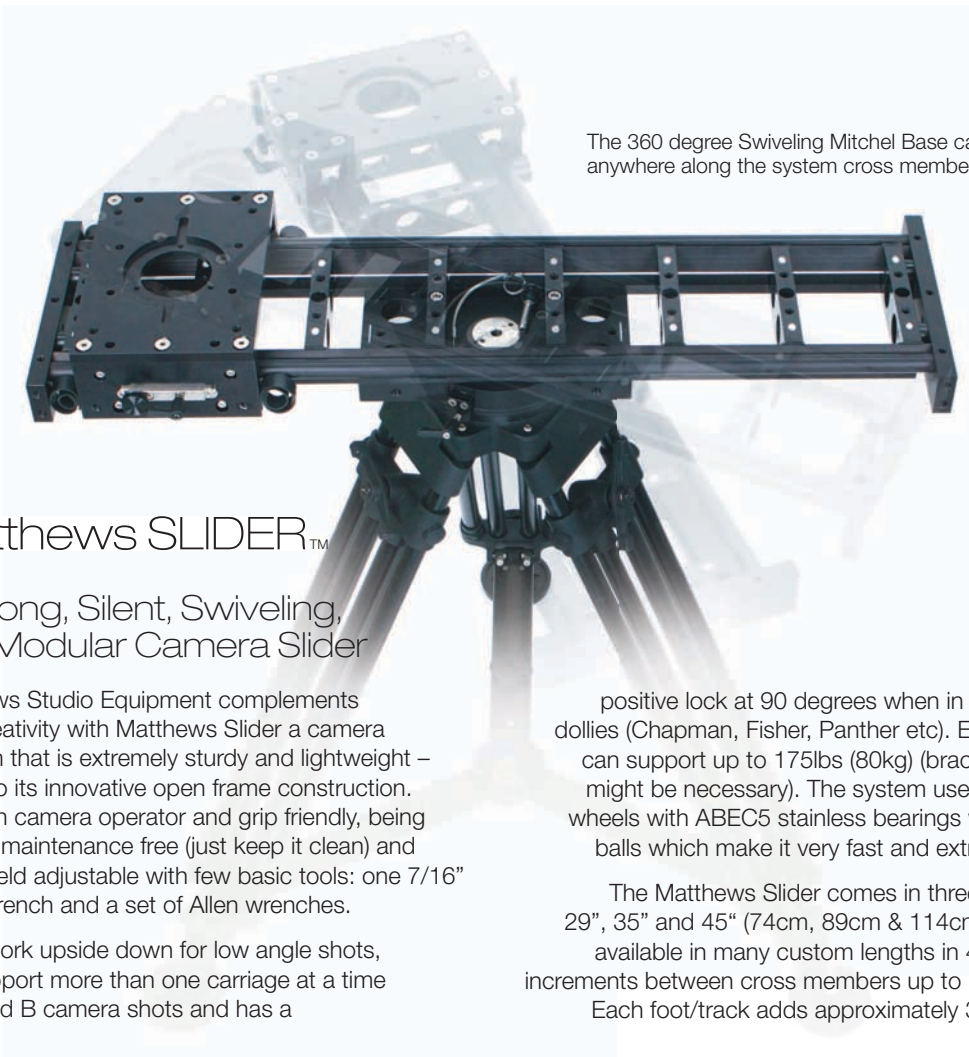
- Weight | 17lbs (8kg)
- Height Range | 29-75" (74-191cm)
- Weight Capacity | 70lbs (32kg)
- Foot Print | 31" (78cm)



LEVELING LEG



SHOWN WITH
861862 MONITOR MOUNT



The 360 degree Swiveling Mitchel Base can be mounted anywhere along the system cross members. ***

Matthews SLIDER™

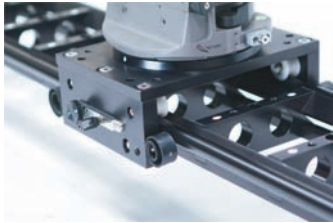
A Strong, Silent, Swiveling, and Modular Camera Slider

Matthews Studio Equipment complements your creativity with Matthews Slider a camera platform that is extremely sturdy and lightweight – owing to its innovative open frame construction. It is both camera operator and grip friendly, being virtually maintenance free (just keep it clean) and totally field adjustable with few basic tools: one 7/16" open wrench and a set of Allen wrenches.

It can work upside down for low angle shots, can support more than one carriage at a time for A and B camera shots and has a

positive lock at 90 degrees when in use on most dollies (Chapman, Fisher, Panther etc). Each carriage can support up to 175lbs (80kg) (bracing of tracks might be necessary). The system uses proprietary wheels with ABEC5 stainless bearings with ceramic balls which make it very fast and extremely quiet.

The Matthews Slider comes in three basic sizes 29", 35" and 45" (74cm, 89cm & 114cm) but is also available in many custom lengths in 4.75" (12cm) increments between cross members up to 12' (366cm). Each foot/track adds approximately 3 lbs (1.4kg).



Brakes (2) & Tension Adjustment Knobs (2) Guide markers for repeat camera positions and easy focus pulling.

377742
Matthews **SLIDER**29"
\$4950.00



Adjustable Levelers & Swivel Feet

377743
Matthews **SLIDER**35"
\$5300.00



Go inverted! Easily mount the system upside down! Counterweight and safety straps may be required.

377744
Matthews **SLIDER**45"
\$5800.00



Different Sizes available 29", 35", & 45"
(74cm, 89cm & 114cm).

Matthews Sliders

Fully factory assembled, the system will accept any gear head/fluid head/camera combination. It comes complete with Mitchell swivel base, Mitchell carriage, Mitchell 2" riser, filler plate, slim design locking handle, a set of leveling legs 0" to 6-3/4" (2x4", 2x6") extra 3/8-16 screws and a set of spanner wrenches. The Matthews Slider comes with numerous 3/8-16 tapped holes for rigging and securing. Additional accessories available from Matthews (bowl adaptors, rigging spigots, etc.). Conveniently sized to fit in Pelican rifle/long cases series 1700.

[2] Lo Boy
Combos
& [2] BH
Adapters



415173
Matthews Ball
Head Adapter
used to mount
the slider on
Junior devices.



Soft and Hard Stops: Double Rubber Loops
for an Extremely Smooth Stop System.



429779 5/8" baby Adapters. The 3/8" - 5/8"
adapters will allow secure mounting and
rigging of the slider almost anywhere.

Mount Two
Carriages for
A & B Camera
Setups.

Extra Carriages
Sold Separately.



3/8" Tapped Holes
Everywhere! A
Minimum of 60
Threaded Holes
per Unit for
Carriage Rigging!



*** The family of Matthews Sliders not only give you extremely smooth camera movement, it also adds stability in otherwise challenging lock-off positions. For example, getting the camera off a ledge or window sill and trusting that it won't hurt your talent down below.

All three of the standard sizes are completely modular, allowing offset mounting of the rotating Mitchell base to extend the reach of the system. This feature may be used for table top, car interior and many other situations.

The Matthews Slider gives you many options for incredibly solid and quiet camera movement for an affordable price.



427019 | THE WEDGE

The Wedge™ by matthews

The WEDGE is a portable, low POV camera mounting device that ensures fast, stable camera positioning in a variety of situations offering increased, creative filming possibilities. Film, Video or DSLR Cameras are mounted to The WEDGE via a Ball Head, Flat plate mount fluid head and 100mm ball fluid head allowing full camera movements.

Three adjustable legs with floating/self-leveling feet ensure fast, stable positioning of The WEDGE mounted camera. Multiple tapped and untapped holes around the perimeter of The WEDGE allow for the addition of accessories or tie downs. Manufactured from high quality, 6061 T6 Aluminum and finished with flat black anodize, The WEDGE opens up new vistas and visions of creative possibilities...

427019 | The Wedge | \$245.00

BH-30 | Ball Head Camera Mount | \$175.00
 12065-02 | 100mm Bowl | \$125.00

AA1020/3X | Stand Offs – 3pcs | \$80.00
 AA1019 | Mitchell Mount | \$225.00



THE WEDGE



THE WEDGE W/BH-30 BALL HEAD MOUNT



THE WEDGE W/100MM BOWL & AA1020/3X STAND OFFS



FLOATING/SELF LEVELING ADJUSTABLE LEGS



The CAM Tank™

LOW & DUTCH SHOTS, with FLUID PAN & TILT CAPABILITY

Matthews CAM Tank is designed to accept all large format camera plates or direct mount to any large or medium format camera equipped with 3/8"-16 mounting holes. The CAM Tank was designed for extremely low shots, without taking away your ability to pan and tilt the camera. It is also used to achieve dutch angles when mounted to a fluid head, or shots designed to be pointed straight down off of a fluid head on a tripod or jib. The bottom of the plate has 17 strategically placed 3/8"-16 tapped holes spaced 1" apart, complying with Motion Picture industry standards. The system is CNC machined out of 6061 T-6 aluminum, stainless steel hardware. The pan bearing uses a machined polyoxymethylene, delrin disk, which self-lubricates and has an endurance rating 100x more than any plastic. The tilt system uses 4 premium NSK deep grooved, ball bearings. Both pan and tilt functions come with brakes for lock of shots and camera safety.

417013 | The CAM Tank | \$1450.00

Pan Range	360 Degrees
Tilt Range	30 degrees in each direction
Weight Capacity	180lbs (82kg)
Minimum Camera Height	4" (101mm)
Length and Width	10"x7" (254mm x 177mm)
Total Weight in Case	15 lbs (7kg) CAM Tank only is 10lbs (4.5kg)

The CAM Tank System Includes:

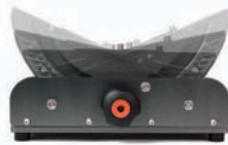
- [2] camera/fluid head tie down knobs &
- a hard plastic case with adjustable carrying strap.



DUTCH CAPABILITIES



2 CAMERA/FLUID HEAD TIE DOWN KNOBS & PAN BRAKE



30 DEGREE TILT RANGE FROM SIDE TO SIDE & TILT BRAKE



3/8"-16 TAPPED HOLES FOR EASY MOUNTING



COMBINE W/FLUID HEAD TO ACHIEVE STRAIGHT DOWN SHOT



Rover™

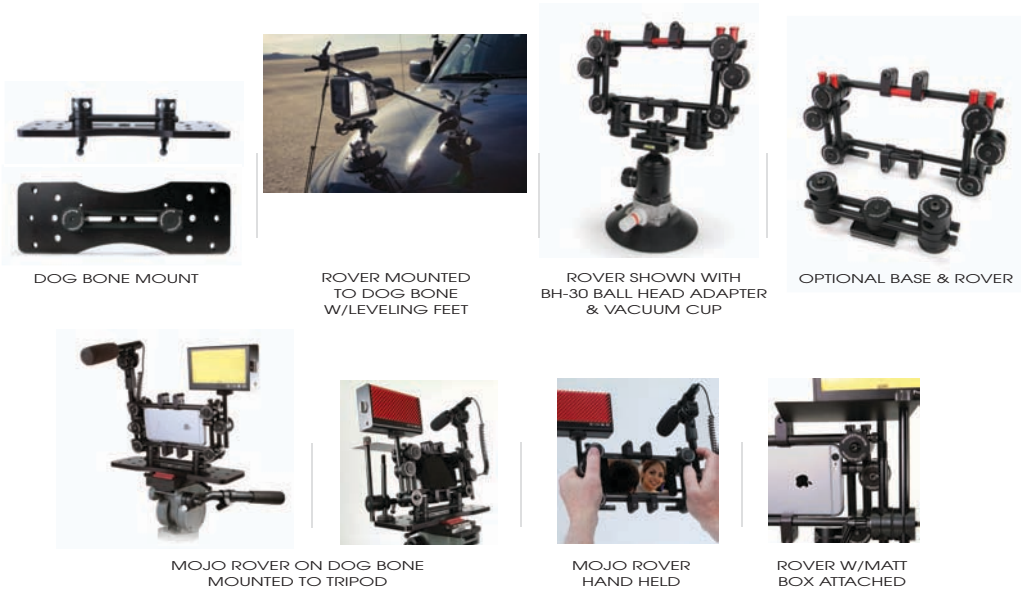
Smartphone imaging, especially video imaging, is problematic due primarily to difficulties associated with holding, stabilizing, and maneuvering smartphones consistently in a manner suitable for image capture. This is primarily due to the minimal thickness and the smooth, non-textured surface typical of smartphones, and the positioning of the lens relative to a comfortable holding position and operating features.

The Rover provides the shooter with a comfortable, stable, and sustained hold around the perimeter of a smartphone and the capability to mount professional accessories. The Rover cage is constructed using MicroGrip heads, rods and an adjustable bracketing system made to hold the majority of smart phones available on the market.

The Rover has a number of optional attachments that will allow the shooter to mount many different accessories in a variety of configurations. In addition, a variety of mounting solutions are available for ball heads, hand grips, tripods, fluid heads and even car mounts.

For more information and detailed specs, search Rover at msegrip.com

350640 | Rover | See Website for Pricing





“...MatthTough for reliable, safe service through proper engineering and use the very best materials... no rivets or cheap castings — set it & forget it!”



B387489 | MERF STAND

MERF Stand™

The Perfect Choice for Photographers on the Move.

Here's an interesting concept in a small, robust kit stand. We've taken the proven small stand concept of reverse folding legs and gone one step further by introducing MERF.

Stuff it in your backpack or small portable lighting kit – when extended, MERF will give you a full 7'5" (277cm) stand that features heavy-wall, lightweight aluminum tubing for added strength and stability.



You will be confident that your precision lighting instruments are secure when positioned on this robust, compact stand. Should in-field repairs become necessary, MERF is assembled with nuts and bolts — not rivets!

Once again, it's Matthews Studio Equipment. It's bold! It's MERF — Technology That Complements Your Imagination.

B387489 | MERF | \$88.00



SPECIFICATIONS

- Max Height 89" (7'5" or 277cm)
- Closed Length 20" (51cm)
- Weight 2.5lbs(1.1kg)
- Capacity 9lbs(4kg)
- Footprint Diameter 24" (61cm)





B387486 | REVERSE STAND

Reverse Stand™

An Innovative Approach to a Folding Stand.

Now here's a clever idea that really does complement your imagination — Matthews Reverse Stand. An innovative approach to folding a stand without compromising the stand's integrity or capacity. It's a tough little stand with a really neat feature!

The dimensions are particularly impressive when you compare the maximum height you're able to attain against the minimum folded length. And it's lightweight, strong and extremely durable. However, should there be a need for repair, it's constructed using nuts and bolts — not rivets — making repairs a whole lot easier! Comes with 4 risers and a 5/8 pin. Now that's versatile!

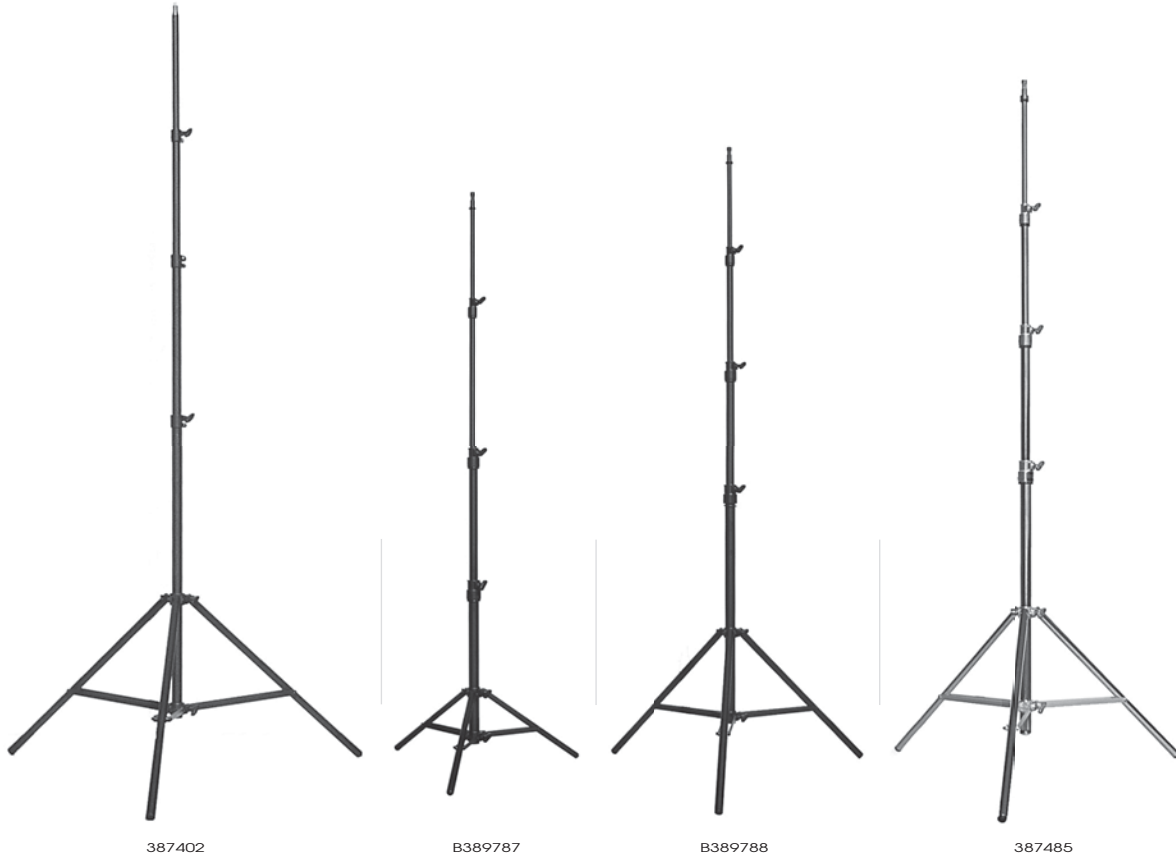
Why wouldn't it be... it's Matthews.

B387486 | Reverse Stand | \$90.00



DIMENSIONS

Height	83.5" (212cm)
Weight	3lbs (1.4kg)
Footprint	32" (81cm)
Folded	22.75" (58cm)
Folded Diameter	3" (7.5cm)
Capacity	11lbs (5kg)



Revenger Stands™

Designed primarily for use in lighting kits, these stands are compact and lightweight, ideal for assembling custom lighting kits or replacing your current stands. Matthews Revenger Stands employ a 'brake shoe' system for locking off the riser tubes as opposed to 'pinch castings,' therefore permitting the use of heavier fixtures. Revenger stands feature a wider footprint for increased stability, beefed up leg braces, and a very low price. Ideal for students, studio or location.

387402
Black Revenger Stand
 Maximum Height ... 128" (3130mm)
 Minimum Height 38" (930mm)
 Weight Capacity 22lbs (10kg)
 Weight 4lbs (1.8kg)
 Footprint 43" (1092mm)
 Folded Base 5" (127mm)
 Folded Length 36" (920mm)
 \$85.00

387102 Wheels
 Set of 3 | \$36.00

B389787
**Kit — Light/Medium
 with Brake — Black**
 Maximum Height 82" (2083mm)
 Minimum Height 26" (660mm)
 Weight Capacity 17lbs (8kg)
 Weight 3lbs (1kg)
 Footprint 27" (686mm)
 Folded Base 5" (127mm)
 Folded Length 27" (690mm)
 \$104.00

387102 Wheels
 Set of 3 | \$36.00

B389788
**Kit — Medium Duty
 with Brake — Black**
 Maximum Height ... 92.5" (2350mm)
 Minimum Height 30" (76mm)
 Weight Capacity 20lbs (9kg)
 Weight 3.5lbs (1.5kg)
 Footprint 32" (813mm)
 Folded Base 3" (76mm)
 Folded Length 31" (790mm)
 \$98.00

387102 Wheels
 Set of 3 | \$36.00

387485
**Chrome — Steel &
 B387485
 Black Aluminum Kit
 Medium Duty Maxi**
 Maximum Height ... 113.5" (2350mm)
 Minimum Height 36" (914mm)
 Weight Capacity 25lbs (11kg)
 Weight 8.5lbs (4kg)
 Alum. Weight Capacity ... 13lbs (6kg)
 Aluminum Weight 4lbs (2kg)
 Footprint 37" (813mm)
 Folded Base 3" (76mm)
 Folded Length 36" (920mm)
 \$150.00

387101 Wheels
 Set of 3 | \$36.00



387102 | WHEELS | SET OF 3



B387487



B387490



339763



INTERCHANGEABLE 5/8" PIN

Revenger Stands (CONT'D)

B387487
Kit — Light/Heavy
Double Riser — Black

Maximum Height 100.5" (2553mm)
Minimum Height 39" (991mm)
Weight Capacity 25 lbs (11kg)
Weight 6 lbs (3kg)
Footprint 43" (1090mm)
Folded Base 5" (127mm)
Folded Length 36" (920mm)
\$168.00

387101 Wheels
Set of 3 | \$36.00

B387490
Kit — Light/Heavy
Triple Riser — Black

Maximum Height 149" (3531mm)
Minimum Height 49" (1245mm)
Weight Capacity 25 lbs (11kg)
Weight 7 lbs (3kg)
Footprint 43" (1090mm)
Folded Base 5" (127mm)
Folded Length 39" (990mm)
\$201.00

387101 Wheels
Set of 3 | \$36.00

Back Light Stand™

Precision Lighting Made Possible.

The Matthews Back Light Stand is configured so that accurate positioning of the back light may be achieved. Used for either background illumination or backlighting the subject. An extendable column allows for a wide range of heights and includes an interchangeable 5/8" pin that positions the light almost directly on the floor.

339763
Back Light Stand —
Black

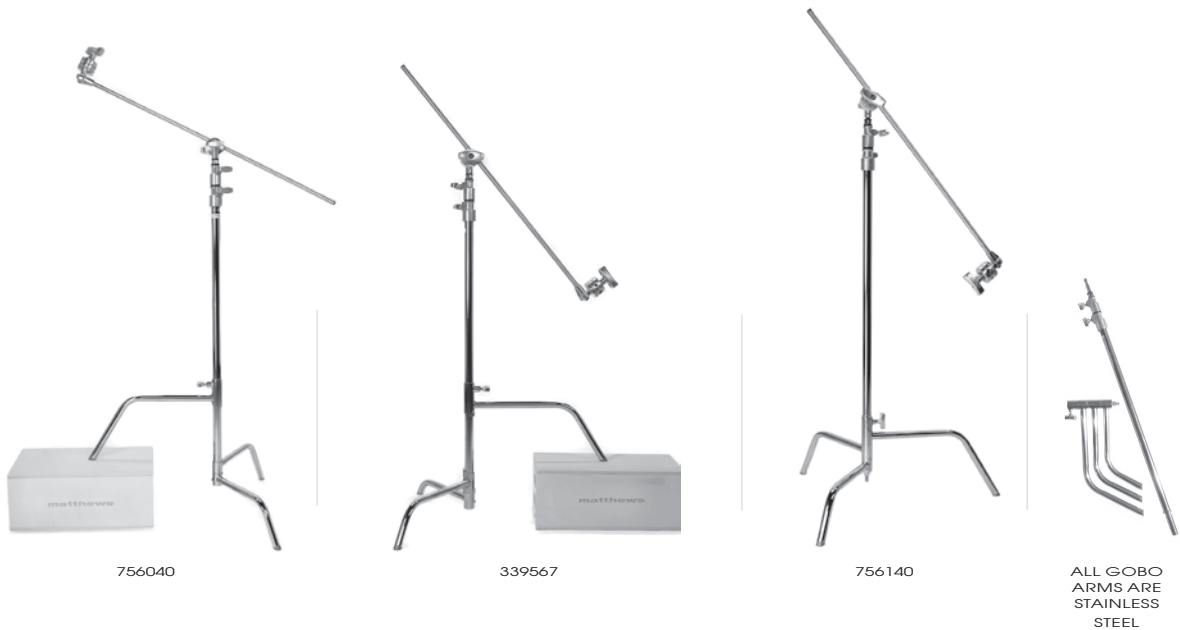
Maximum Height 41" (1041mm)
Minimum Height 19" (492mm)
Weight Capacity 22 lbs (10kg)
Weight 4 lbs (1.8kg)
Footprint 12" (305mm)
Folded Base 5" (127mm)
\$69.00

The History of C-Stands™

In 1974 Matthews Studio Equipment introduced the industry's first folding base C-Stand. (C-Stand and Century Stand are registered trademarks of Matthews Studio Equipment.) Matthews now produces a wide range of C-Stands and related accessories to assist the motion picture, television and photographic professional in lighting and lighting modification support. The term 'Century Stand' goes back to the early days of motion picture production.

Before there was artificial lighting the stages would revolve to allow for continuous overhead lighting from the sun. Large reflectors would be positioned to bounce or kick the overhead light up onto the stage and illuminate the set and actors. These reflectors were made in many sizes but it seems the most popular was the 100 inch, or 'century', sized reflector. In later years studios, grips and gaffers began to manufacture the earliest versions of what we now call C-Stands. The original C-Stands had welded bases that did not fold up or adjust but the fact that they easily nested together made them invaluable on the stage. Century Stands or 'C' stands are an important component in the image makers arsenal of

CONTINUED NEXT PAGE



Hollywood C-Stand™ Kits

756040
40" C-Stand w/Sliding Leg
Includes Grip Head & Arm

Maximum Height 126.5" (321cm)
Minimum Height 53" (134cm)
Capacity 22lbs. (10kg)
Weight 16lbs. (7.2kg)
Footprint 27.5" (70cm)
Folded Base 21" (54cm)
\$191.00

B756040
Available in black finish.

339567
Hollywood Pro
40" C-Stand w/Sliding Leg
Low Profile Base Includes Grip
Head & Arm

Maximum Height 126.5" (321cm)
Minimum Height 53" (134cm)
Capacity 22lbs. (10kg)
Weight 16lbs. (7.2kg)
Footprint 27.5" (70cm)
Folded Base 21" (54cm)
\$213.00

756140
40" C+ Stand w/Spring
Loaded Turtle Base
Includes Grip Head & Arm

Maximum Height 126.5" (321cm)
Minimum Height 53" (134cm)
Capacity 22lbs. (10kg)
Weight 16lbs. (7.2kg)
Footprint 27.5" (70cm)
Folded Base 21" (54cm)
\$235.00

B756140
Available in black finish.

"Stands that last...  you get what you pay for."

tools. These popular stands are available in many different configurations, lengths and finishes. The unique staggered leg design allows C-Stands to be nested and therefore be placed extremely close to one another on set. The lower leg can also be slid under many objects. The C+ offers a removable base for the risers making disassembly for travel simple and easy without being cumbersome or having the awkwardness typical of other manufacturers. The sliding leg allows for use on stairs, off curbs and even as high as a desk or counter top. Fast, easy opening and closing.

Hollywood C-Stand™ Features



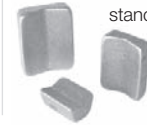
Matthews' T-handles and spin handles are ergonomically designed to allow for fast, efficient and safe tightening with little effort.

Matthews C-Stands are available with 18mm receivers for 16mm pins for the international production industry's requirements.

All Matthews 2-1/2" gripheads are available with 16mm pins. Contact your dealer for price.



Matthews' C-Stand legs are arc welded for maximum strength & lighter weight. No heavy, fragile castings.



Brakes: All Matthews stands feature v-shaped, brass brakes to ensure maximum three point contact & holding strength.



339570



756120

ALL GOBO ARMS ARE STAINLESS STEEL



756020

20" Hollywood C-Stand™ Kits

339570
Hollywood Pro
20" C-Stand w/Sliding Leg,
Low Profile Includes
Grip Head & Arm

Maximum Height 63" (161cm)
Minimum Height 30" (76cm)
Capacity 22lbs. (10kg)
Weight 8.25lbs. (4kg)
Footprint 27.5" (70cm)
Folded Base 21" (54cm)
\$213.00

756120
20" C+ Stand w/Spring
Loaded Turtle Base Includes
Grip Head & Arm

Maximum Height 63" (161cm)
Minimum Height 30" (76cm)
Capacity 22lbs. (10kg)
Weight 13lbs. (6kg)
Footprint 27.5" (70cm)
Folded Base 21" (54cm)
\$235.00

B756120
Available in black finish.

756020
20" C-Stand w/Sliding Leg
Includes Grip Head & Arm

Maximum Height 63" (161cm)
Minimum Height 30" (76cm)
Capacity 22lbs. (10kg)
Weight 8.25lbs. (4kg)
Footprint 27.5" (70cm)
Folded Base 21" (54cm)
\$191.00

B756020
Available in black finish.



339573 | 20" C STAND
W/SPRING LOADED BASE



339574 | 20" C STAND
W/SPRING LOADED BASE



339564 | 40" C STAND
W/SPRING LOADED BASE

Century Stands™

Spring Loaded C-Stands™

These popular stands are available in many different configurations, lengths and finishes. The unique staggered leg design allows C-Stands to be nested and therefore be placed extremely close to one another on set. The lower leg can also be slid under many objects. The C+ offers a removable base for the risers making disassembly for travel simple and easy without being cumbersome or having the awkwardness typical of other manufacturers. Fast, easy opening and closing.

339573
20" C-Stand - "Punky"
w/Spring Loaded Base

Mini Base - 17" Foot Print
Maximum Height ... 63" (161cm)
Minimum Height 30" (75cm)
Capacity 15lbs. (7kg)
Weight 7lbs. (3kg)
Footprint 27.5" (70cm)
Folded Base 21" (54cm)
\$230.00

B339573
Available in black finish.

339774
20" C-Stand
w/Spring Loaded Base
w/Grip Head & Arm

Maximum Height ... 63" (161cm)
Minimum Height 30" (76cm)
Capacity 22lbs. (10kg)
Weight 8.25lbs. (4kg)
Footprint 27.5" (70cm)
Folded Base 21" (54cm)
\$266.00

B339774
Available in black finish.

339561
30" C-Stand
w/Spring Loaded Base
Maximum Height ... 97" (246cm)
Minimum Height 51" (130cm)
Capacity 22lbs. (10kg)
Weight 13lbs. (6kg)
Footprint 27.5" (70cm)
\$271.00

B339561
Available in black finish.

339764
40" C-Stand
w/Spring Loaded Base
w/Grip Head & Arm

Maximum Height ... 126" (321cm)
Minimum Height 53" (134cm)
Capacity 22lbs. (10kg)
Weight 11lbs. (5kg)
Footprint 27.5" (70cm)
\$266.00

B339764
Available in black finish.

339568
60" C-Stand
w/Spring Loaded Base
Maximum Height ... 184" (467cm)
Minimum Height 70" (178cm)
Capacity 22lbs. (10kg)
Weight 18lbs. (8kg)
Footprint 27.5" (70cm)
\$272.00

B339568
Available in black finish.



681012
20" Stainless Steel Arm
Weight 2lbs. (1kg)
\$58.00
B681012
Available in black finish.
\$60.00



655020
20" Grip Head & Stainless Steel Arm
Weight 3.25lbs. (1.5kg)
\$80.00
B655020
Available in black finish.
\$82.00



681013
40" Stainless Steel Arm
Weight 3.25lbs. (1.5kg)
\$58.00
B681013
Available in black finish.
\$60.00



655040
40" Grip Head & Stainless Steel Arm
Weight 4.5lbs. (2kg)
\$80.00
B655040
Available in black finish.
\$82.00

Hollywood C-Stand™ Accessories



754042
40" C-Stand with
Double Sliding Leg
Weight 16lbs. (7.5kg)
Maximum Height 184" (467cm)
Minimum Height 70" (178cm)
Capacity 22lbs. (10kg)
Weight 18lbs. (8kg)
Footprint 27.5" (70cm)
\$240.00



339725
C+40" Riser
Section Only
Weight 10lbs. (4.6kg)
\$133.00

339761
C+20" Riser
Section Only
Weight 7lbs. (3.2kg)
\$102.00



339759
Spring Loaded
Turtle Base Only
Weight 5lbs. (2kg)
\$139.00

B339759
Available in black finish.



*"Set it – and forget it!"
Matthews grip heads
with the patented
"V" groove concept
will not slip.*

350580
Hollywood Grip Head™
The strongest and most
popular grip head in the
industry. Plates feature 3/8"
& 5/8" mounting holes.
Weight 1.3lbs. (0.6kg)
\$40.00

B350580
Available in black finish.



429658
Century Stand
Door Rack
Holds up to six
stands securely.
Weight 4lbs. (1.8kg)
\$173.00



Baby Stands — “Pony”

Heavy-duty and rugged, these aluminum and steel stands can withstand the rigors of location shooting. Made with square tubular legs for additional strength. Smaller versions of Beefy Baby Stands are known as Mini Premie and Premie Baby Stands.

386034 Premie Baby

Maximum Height	69" (1753mm)
Minimum Height	28" (711mm)
Weight Capacity	25lbs (11kg)
Weight	5lbs (2kg)
Footprint	30" (76mm)
Folded Base	5" (127mm)
\$225.00	

386038 Mini Premie Baby — Steel

Maximum Height	36" (914mm)
Minimum Height	20" (508mm)
Weight Capacity	22lbs (10kg)
Weight	5.75lbs (3kg)
Footprint	14" (356mm)
Folded Base	5" (127mm)
\$219.00	



387030 | HOLLYWOOD
BEEFY BABY DOUBLE RISER

387031 | HOLLYWOOD
BEEFY BABY TRIPLE RISER

387030 | HOLLYWOOD
BEEFY BABY DOUBLE RISER FOLDED

Hollywood Beefy Baby®

The Hollywood Beefy Baby leg supports now fold down. Legs are made of steel instead of aluminum to provide greater stability and longer wear. The top riser which is the smallest in diameter is also made of steel increasing its strength and permitting the 5/8" Baby Pin to be welded directly to the riser instead of being pinned.

387030
Hollywood Beefy Baby — Double Riser
with Rocky Mountain Leg

Maximum Height	104" (2642mm)
Minimum Height	41" (1041mm)
Weight Capacity	22lbs (10kg)
Weight	12.5lbs (5.7kg)
Footprint	33.5" (851mm)
Folded Base	5" (127mm)

\$253.00

387031
Hollywood Beefy Baby — Triple Riser
with Rocky Mountain Leg

Maximum Height	148" (3759mm)
Minimum Height	45.5" (1156mm)
Weight Capacity	20lbs (9.1kg)
Weight	13.5lbs (6.1kg)
Footprint	33.5" (851mm)
Folded Base	5" (127mm)

\$287.00

Budget Wheels

Featuring high grade 3" wheels, these wheel sets will fit all stands with 3/4" square legs. Easy to install – smooth operating.

366171 Budget Wheels - Set of 3 3.0 \$153.00



366171 | BUDGET WHEELS
3/4" SQUARE TUBE

Beefy Baby Stand® Door Rack

Will hold up to 7 Beefy Baby Stands. Racks for other type stands are available on request and can be ordered in custom colors.

429657 Beefy Baby Stand Door Rack 5.5 \$133.00



429657 | BEEFY BABY
STAND DOOR RACK



H386020 | BABY JR TRIPLE RISER H386025 | BABY JR DOUBLE RISER

Hollywood Baby Jr. Stands

These very popular lighting stands for Baby fixtures, which require a 5/8" mounting pin, are made with steel legs and riser assembly. The tripod braced base with 'all-axis' non-marking locking casters provides great stability. Matthews casters are not cheap, but when buying wheels you get what you pay for. Matthews casters are non-marking and lock in the caster position as well as rotationally. Made from steel components – not plastic – and will provide years of durable service.

H386025
Baby Jr. Double Riser

Maximum Height	116" (2946mm)
Minimum Height	48" (1219mm)
Weight Capacity	30lbs (14kg)
Weight	14lbs (6kg)
Footprint	42" (1066mm)
Folded Base	10" (254mm)

\$339.00

H386020
Baby Jr. Triple Riser

Maximum Height	147" (3734mm)
Minimum Height	55" (1397mm)
Weight Capacity	30lbs (14kg)
Weight	18.5lbs (8kg)
Footprint	49" (1245mm)
Folded Base	16" (406mm)

\$357.00



Matthews Rolling Stands

- Track in a straight line – especially important when moving overheads or butterflies.
- No more foot castings. • Wheels are protected when folded.



349581 | HOLLYWOOD GRIP HEAD



366165 & 369764 HOLLYWOOD TRIPLE & DOUBLE RISER COMBO STANDS



366066 | LOW BOY DOUBLE RISER COMBO STAND

Hollywood Combo

A Stand with an attitude! Wider footprint and longer legs provide increased stability. Complete with Rocky Mountain Leg and steel construction. Available with aluminum risers upon request. Will accept Matthews #366068 Combo Adapter Wheels. Matthews casters are locking and non-marking. Made from steel components – not plastic – and will provide years of durable service.

369764 Hollywood Combo Double Riser, Aluminum

Maximum Height	136" (3454mm)
Minimum Height	49.5" (1257mm)
Weight Capacity	50lbs (23kg)
Weight	13lbs (6kg)
Footprint	43" (1092mm)
Folded Base	5" (127mm)
	\$404.00

366065 Sky High — Triple Riser Combo Stand, Steel

Maximum Height	183" (4648mm)
Minimum Height	56" (1442mm)
Weight Capacity	50lbs (23kg)
Weight	28lbs (13kg)
Footprint	40" (1000mm)
Folded Base	4.5" (114mm)
	\$383.00

369673 Hollywood Combo — Double Riser

Maximum Height	136" (3454mm)
Minimum Height	49.5" (1257mm)
Weight Capacity	90lbs (40kg)
Weight	28lbs (12kg)
Footprint	43" (1092mm)
Folded Base	5" (127mm)

\$332.00

366165 Hollywood Combo — Triple Riser

Maximum Height	177.5" (4508mm)
Minimum Height	54.2" (1376mm)
Weight Capacity	68lbs (30kg)
Weight	32lbs (14kg)
Footprint	43" (1092mm)
Folded Base	5" (127mm)

\$360.00

366066 Low Boy — Double Riser Combo Stand, Steel

Maximum Height	76.5" (1943mm)
Minimum Height	33.5" (851mm)
Weight Capacity	72lbs (33kg)
Weight	16lbs (7kg)
Footprint	31" (787mm)
Folded Base	4" (102mm)

\$320.00

4-1/2" Hollywood Grip Head® aka "Lollipop"

Plates now feature two holes of 3/8" and 5/8" diameter that eliminate any confusion. New casting offers positive lock in all directions. The strongest and most popular 4-1/2" Grip Head in the industry. Guaranteed to hold.

349581	Hollywood 4-1/2" Grip Head	5	\$116.00
--------	----------------------------	---	----------

Combo Adapter Wheels

Easily move your Matthews Combo Stand around the studio floor with these large diameter, heavy-duty, multiple locating/locking caster sets. A strong spring steel retainer ensures a tight fit without having to drill through the legs. *Image on page 51.*

366068	Combo Adapter Adapter Wheels Set of 3	5.5	\$255.00
--------	---------------------------------------	-----	----------



Combo Door Rack

Will hold up to 5 Combo Stands.

429655	Combo Door Rack	5.5	\$94.00
--------	-----------------	-----	---------



387032 | DIGITAL BABY STAND

369675 | DIGITAL COMBO STAND

Digital Stands™

Matthews Digital presents two new, high-quality lighting stands for the demanding professional. Innovative, robust and durable, the Matthews Digital lighting stands are becoming an integral component of location and studio lighting packages. Additionally, each riser section is spring dampened, ensuring the stand may be safely lowered. Designed to be stronger and lighter than other manufacturers' aluminum combo stands, Matthews Digital Stands are also lower in cost.

Baby Stand

- Baby Digital Stand
- Maximum Height 163" (414cm)
- Minimum Height 50" (127cm)
- Weight Capacity 58lbs (26.3kg)
- Weight 13lbs (5.9kg)
- Footprint 50" (127cm)
- 5/8" Pin/Spigot
- Rocky Mountain Leveling Leg
- Rack Mount Adapter

387032 | Baby Stand | \$242.00

366170 | Budget Wheels
7/8" & 1" Square Tube — Set of 3 | \$153.00

Combo Stand

- Combo Digital Stand
- Maximum Height 132" (335cm)
- Minimum Height 51" (130cm)
- Weight Capacity 88lbs (40kg)
- Weight 18lbs (8.1kg)
- Footprint 50" (127cm)
- 5/8" Pin/Spigot plus 1-1/4" Receiver
- Rocky Mountain Leveling Leg
- Rack Mount Adapter

369675 | Combo Stand | \$253.00

366170 | Budget Wheels
7/8" & 1" Square Tube — Set of 3 | \$153.00



B366167 | COMBO STAND & B366168 | BABY STAND

B369765 | ALUM/STEEL
TRIPLE RISER COMBO

Black Aluminum Lightweight Digital Stands

Matthews Studio Equipment is pleased to announce the addition of two, new, lightweight aluminum stands to their product range. The recent developments in lighter weight illumination technologies has dictated the development of lighter weight stands to accommodate lighter weight fixtures such as LED arrays, fluorescents and other luminaries. The two new stands are manufactured from lightweight, hardened aluminum and will prove themselves reliable and robust supports on stage, set or location.

B366167

Combo Stand

Black, aluminum, double riser w/Rocky Mountain Leg.

SPECIFICATIONS

Maximum Height 124" (315cm)
 Minimum Height 48" (122cm)
 Weight Capacity 25lbs (11.3kg)
 Weight 10lbs (4.3kg)
 Footprint 36" (90cm)

\$215.00

387101 | Wheels | \$36.00

B366168

Baby Stand

Black, aluminum, triple riser w/steel top riser/pin & Rocky Mountain Leg.

SPECIFICATIONS

Maximum Height 155" (393cm)
 Minimum Height 53" (135cm)
 Weight Capacity 25lbs (11.3kg)
 Weight 9lbs (4kg)
 Footprint 36" (90cm)

\$217.00

387101 | Wheels | \$36.00

B369765

Alum/Steel Triple Riser Combo

By combining aluminum legs and risers with a steel top riser, Matthews has created a robust, lightweight and tall Combo stand, as the steel top riser adds strength and security. Black, aluminum, triple riser with Rocky Mountain Leg. Available in Black only.

SPECIFICATIONS

Maximum Height 177" (450cm)
 Minimum Height 54" (137cm)
 Maximum Load 35Lbs (16kg)
 Weight 21Lbs (9.8kg)
 Footprint 45" (109cm)

\$434.00



388200 | BABY RUNWAY STAND

999042 | MAGIC STAND

Magic Stand™

This stand is truly magical! With the Runway Base added, the Magic Stand can be a regular rolling light stand. It can be a high rolling light stand, and it can also convert to a two section light boom with its own rolling stand. Its versatility is truly magical, whether a light needs to be placed at floor height, or behind as a hair light, or over a table for a product shot – this stand can do it all! Made with a standard 1-1/8" Junior Pin at the bottom, the Magic Stand riser could be added to the Combo Stand as a very unique stand extension or inverted to hang from a C-Clamp into the set. The top riser incorporates our Magic Finger™ — a stand that has been copied, but not yet duplicated!

999042	
Magic Stand — Complete w/Runway Base	
Maximum Height	150" (3810mm)
Minimum Height	54.5" (1384mm)
Weight Capacity	40lbs (18kg)
Weight	37 lbs (17kg)
Footprint	32" (812mm)
Folded Base	21" (533mm)
	\$950.00

388214	
Magic Stand — Riser Only	
Maximum Height	150" (3810mm)
Minimum Height	54.5" (1384mm)
Weight Capacity	40lbs (18kg)
Weight	17 lbs (8kg)
Footprint	NA
Folded Base	NA
	\$516.00

388200	
Baby Runway Stand (includes base)	
Maximum Height	115" (2921mm)
Minimum Height	49.5" (1257mm)
Weight Capacity	40lbs (18kg)
Weight	20 lbs (9kg)
Footprint	32" (812mm)
Folded Base	21" (533mm)
	\$490.00

Runway Base

This really low rolling stand base was designed to work with the Magic Stand, but it is also capable of handling any large light fixture mounted directly into its Posi-V-Lock Junior Receiver. Matthews casters are locking and non-marking. Made from steel components not plastic and will provide years of durable service.

388201	
Runway Base	
Height	6" (152mm)
Weight Capacity	250lbs (113kg)
Weight	20 lbs (9kg)
Footprint	32" (812mm)
Folded Base	20" (508mm)
	\$401.00

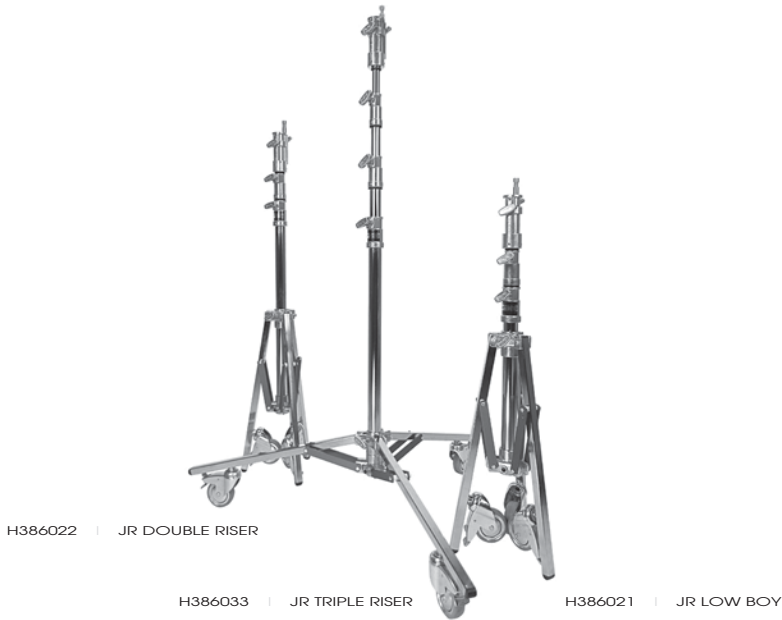


RUNWAY BASE FOLDS FOR EASY STORAGE



Matthews Rolling Stands

- Track in a straight line – especially important when moving overheads or butterflies.
- No more foot castings. • Wheels are protected when folded.



Hollywood Junior & Senior Stands

Designed for larger lighting fixtures, these stands are built with steel legs and steel riser assemblies. These stands provide a stable rolling base for Junior and midsize lighting fixtures. Equipped with universal Posi-V-Lock Junior Receiver with pop up 5/8" male pin, the Senior Stands are made for fixtures weighing up to 88 pounds. Please refer to the technical specification for the weight limitations of each stand. Matthews casters are locking and non-marking. Made from steel components – not plastic – and will provide years of durable service.

H386021
Low Boy Junior
Double Riser — Rolling
Maximum Height 75" (1905mm)
Minimum Height 39" (991mm)
Weight Capacity 55lbs (11kg)
Weight 24.5lbs (6kg)
Footprint 57" (1446mm)
Folded Base 12" (305mm)
\$366.00

H386026
Low Boy Senior Stand
Double Riser — Rolling
Maximum Height 97" (2426mm)
Minimum Height 45" (1143mm)
Weight Capacity 90lbs (41kg)
Weight 27.5lbs (12.5kg)
Footprint 60" (1524mm)
Folded Base 14" (356mm)
\$438.00

H386033
Junior Stand Triple Riser — Rolling
Maximum Height 154" (3912mm)
Minimum Height 56" (1422mm)
Weight Capacity 55lbs (25kg)
Weight 31lbs (14kg)
Footprint 57" (1446mm)
Folded Base 12" (305mm)
\$427.00

H386022
Junior Stand
Double Riser — Rolling
Maximum Height 114" (2896mm)
Minimum Height 51" (1295mm)
Weight Capacity 55lbs (25kg)
Weight 27lbs (12kg)
Footprint 57" (1446mm)
Folded Base 12" (305mm)
\$393.00

H386027
Senior Stand
Double Riser — Rolling
Maximum Height 126" (3200mm)
Minimum Height 56" (1422mm)
Weight Capacity 88lbs (40kg)
Weight 35lbs (16kg)
Footprint 60" (1524mm)
Folded Base 16" (406mm)
\$422.00

429051
Junior Double Riser — Column
Maximum Height 91" (2311mm)
Minimum Height 45" (1143mm)
Weight Capacity 55lbs (25kg)
Weight 9lbs (4kg)
Footprint NA
Folded Base 20" (508mm)
\$207.00



Matthews Rolling Stands

- Track in a straight line – especially important when moving overheads or butterflies.
- No more foot castings.
- Wheels are protected when folded.



377575 | H377577 | H377573
HOLLYWOOD OVERHEAD STANDS



369770 | HOLLYWOOD TRIPLE RISER
W/4.5 GRIP HEAD

Hollywood Overhead Stands

Roller Stands, or Overhead Stands as they are often called, utilize all steel tubes and legs. Developed for flying Butterflies and Overheads on location and supporting large backdrops in studios. These stands feature wide bases for stability and terminate in the new 4.5" Grip Head. Plates now feature two holes of 3/8" and 5/8" diameter that eliminate any confusion. New castings offer positive lock in all directions. The strongest and most popular 4-1/2" Grip Head in the industry, guaranteed to hold. Matthews casters are locking and non-marking. Made from steel components – not plastic – and will provide years of durable service.

H377573
Medium Overhead Roller Stand
Maximum Height 167.5" (4255mm)
Minimum Height 64" (1626mm)
Weight Capacity 88lbs (40kg)
Weight 35.5lbs (16kg)
Footprint 60" (1524mm)
Folded Base 16" (406mm)
\$489.00

H377577
Hi-Hi Overhead Roller Stand
with Rocky Mountain Leg
Maximum Height 249" (6325mm)
Minimum Height 84" (2134mm)
Weight Capacity 88lbs (40kg)
Weight 43lbs (20kg)
Footprint 60" (1524mm)
Folded Base 16" (406mm)
\$561.00

369770
Hollywood Triple Riser
with 4.5 Grip Head
Maximum Height 178" (4521mm)
Minimum Height 57" (1447mm)
Weight Capacity 68lbs (30kg)
Weight 33lbs (14kg)
Footprint 56" (1422mm)
Folded Base 4" Dia (101mm)
\$587.00

H377574
Hi-Hi Overhead Roller Stand
Maximum Height 249" (6325mm)
Minimum Height 84" (2134mm)
Weight Capacity 88lbs (40kg)
Weight 43lbs (20kg)
Footprint 60" (1524mm)
Folded Base 16" (406mm)
\$517.00

377575
Hi-Hi Overhead Stand — Wide Base
Maximum Height 241" (6121mm)
Minimum Height 76" (1930mm)
Weight Capacity 66lbs (30kg)
Weight 38lbs (17kg)
Footprint 75" (1095mm)
Folded Base 4.5" (114mm)
\$530.00



Matthews Rolling Stands

- Track in a straight line – especially important when moving overheads or butterflies.
- No more foot castings.
- Wheels are protected when folded.



Mini Mombo

The Hi Stand of Choice by Professionals All Over The World.

The Mini Mombo Stand.

If you do not need all the potential height of the Mombo Combo Stand but would rather like a lighter weight stand with almost as much reach as the Mombo Combo please consider the Mini Mombo from Matthews. Matthews has engineered the Mini Mombo to achieve the much desired 'lower working height' required when mounting either large flags and butterflies or heavy lighting fixtures. Additionally, each riser section is spring dampened.

The Mini Mombo 4-riser Stand has a maximum height of over 17 feet and will easily handle fixtures over 80 pounds. Great for overheads and frames. Like all Matthews stands the Mini Mombo packs a lot of punch! It's strong, robust, and the Mini Mombo's Rocky Mountain Leg will offset uneven terrain to ensure a firm, stable and sturdy footprint.

377585

Mini Mombo Overhead/Light Stand

SPECIFICATIONS

Closed Length	66.5" (169cm)
Loading Height	64" (162cm)
Maximum Height	17'4" (529cm)
Weight Capacity	88lbs (40kg)
Weight	34lbs (15.5kg)

\$587.00

366068

Caster and Brake Assembly

Position your Mombo exactly where you need it with this rugged and robust wheel set. Foot actuated brakes lock both wheel position and rotation. Matthews casters are locking and non-marking. Made from steel components – not plastic – and will provide years of durable service.

\$255.00 | Set of 3



Matthews Rolling Stands

- Track in a straight line – especially important when moving overheads or butterflies.
- No more foot castings. • Wheels are protected when folded.

Mombo Combo aka "Daddy Long Legs"

The Mombo Combo Stand achieves an incredible height of 22 feet. Because of this height, it features an extra-wide base and incorporates a collar for attaching stabilizing Guy Wires or ropes (Matthews #377578-40). The Mombo Combo legs are made of 1-1/4" square steel tubing and are internally reinforced with a Matthews engineered gusset assembly. Additionally, each riser section is spring dampened. The Mombo Combo's Rocky Mountain Leg will offset uneven terrain to ensure a firm, stable and sturdy footprint. This is absolutely the strongest stand of its type in the business!

CAUTION: *Slight wind can create a tremendous hazard at the heights attainable with this stand. The use of stabilizing cables or guy ropes is recommended.*

377591

Mombo Combo Stand

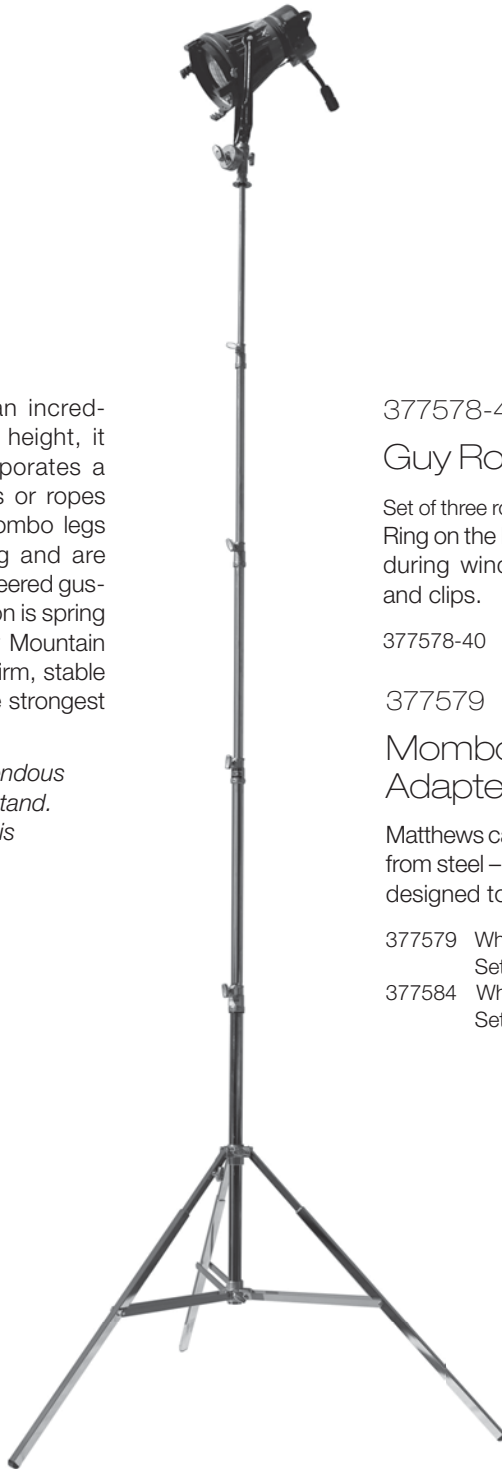
Maximum Height 24' (7315mm)
 Minimum Height 74.5" (1892mm)
 Weight Capacity 88lbs (40kg)
 Weight 48.5lbs (22kg)
 Footprint 74" (1180mm)
 Folded Base 6" (152mm)
 \$618.00



377579



377578



MOMBO COMBO STAND SHOWN FULLY EXTENDED TO A HEIGHT OF 22 FEET



377583

377578-40

Guy Rope Safety Set

Set of three ropes complete with clips to attach to the Guy Ring on the Mombo Combo Stand or any other stand during windy conditions. Complete with 3 ropes and clips.

377578-40 Guy Rope Safety Set 2 \$98.00

377579

Mombo Combo Wheel Adapters

Matthews casters are locking and non-marking. Made from steel – not plastic – components and have been designed to provide years of durable service.

377579 Wheel Adapters 11.3 \$235.00
 Set of 3 / O/S 1"x 1-1/2"
 377584 Wheel Adapters 11.3 235.00
 Set of 3 / N/S 1-1/4"x 1-1/4"

Minivator II

The MINIVATOR II from Matthews is the taller and stronger version of our very popular MINIVATOR stand which Matthews first introduced over 10 years ago.

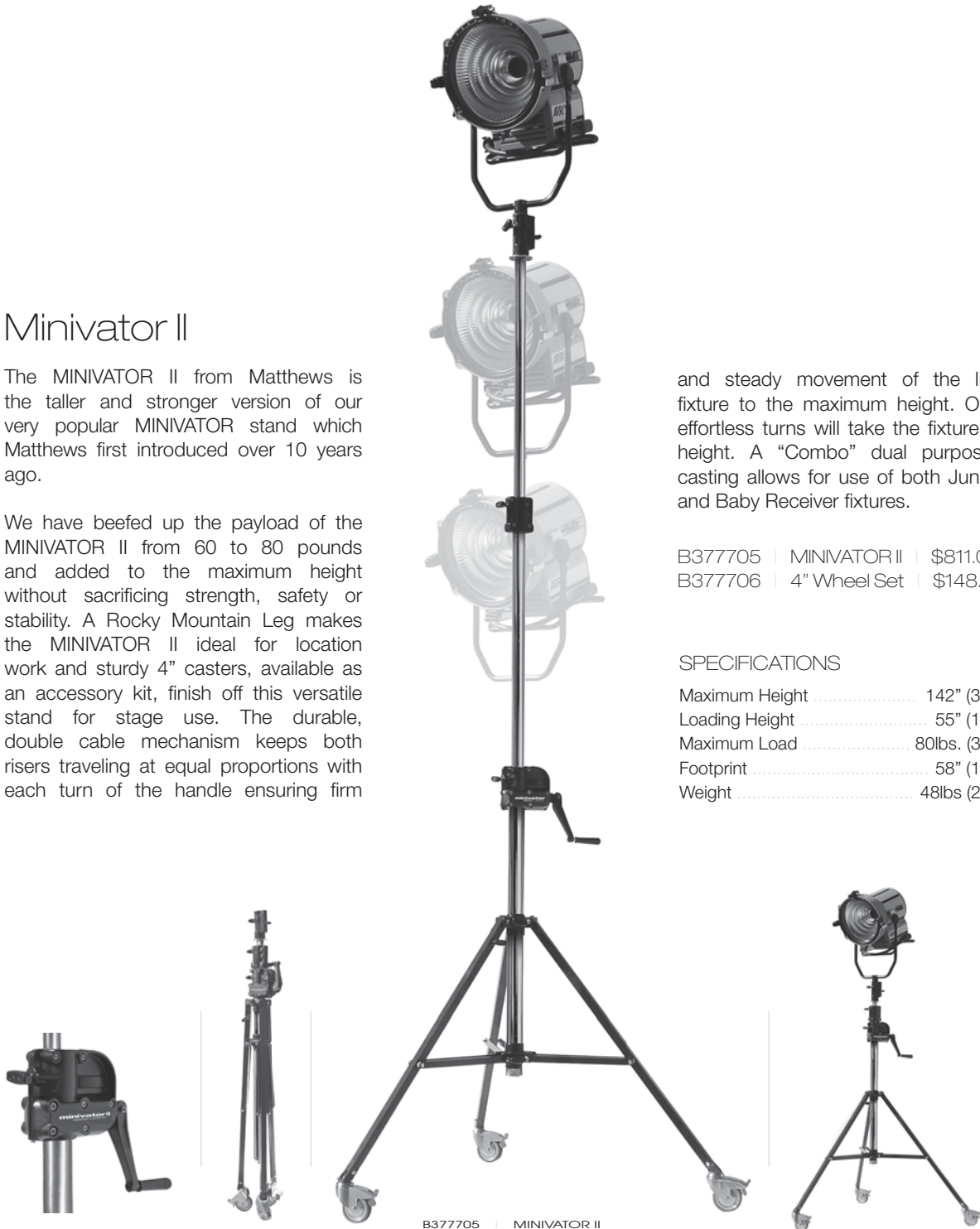
We have beefed up the payload of the MINIVATOR II from 60 to 80 pounds and added to the maximum height without sacrificing strength, safety or stability. A Rocky Mountain Leg makes the MINIVATOR II ideal for location work and sturdy 4" casters, available as an accessory kit, finish off this versatile stand for stage use. The durable, double cable mechanism keeps both risers traveling at equal proportions with each turn of the handle ensuring firm

and steady movement of the lighting fixture to the maximum height. Only 38 effortless turns will take the fixture to full height. A "Combo" dual purpose top casting allows for use of both Junior Pin and Baby Receiver fixtures.

B377705 | MINIVATOR II | \$811.00
 B377706 | 4" Wheel Set | \$148.00

SPECIFICATIONS

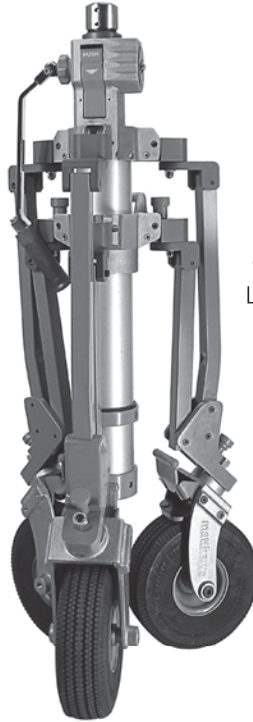
Maximum Height 142" (361cm)
 Loading Height 55" (140cm)
 Maximum Load 80lbs. (36.4kg)
 Footprint 58" (150cm)
 Weight 48lbs (21.8kg)



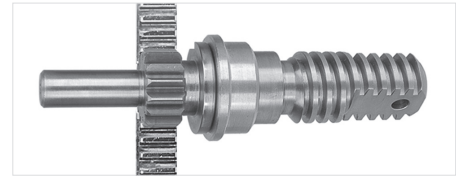
30 Years in Development... VATOR III™

During the past thirty plus years Matthews Studio Equipment has supplied the production community with heavy-duty VATOR cranking stands. From LoBoy VATORS to the SUPER Crank-O-Vators, productions around the world have learned to trust Matthews VATORS for reliable, robust and large fixture support.

Matthews now introduces the next generation of VATOR stands; VATOR III. The VATOR III family of dependable, safe, cranking stands continues the respected operating and performance characteristics of the past VATORS, while adding new models and features.



Matthews has such great confidence in the new VATOR III stands that each stand is covered by a three year warranty under normal operating conditions. Excludes wheels and tires. From the LoBoy single riser through the SUPER VATOR III, this new family of Matthews heavy-duty lighting



stands will certainly set new standards in reliable large fixture lighting support.

Vator III | More information: See Chapter 1 Showcase pages 10 & 11.



521001
LO BOY VATOR III Double Riser

Minimum Folded Height 41" (104cm)
 Minimum Footprint 18" Dia (46cm)
 Minimum Load Height 34.5" (88cm)
 Footprint 42" Dia (107cm)
 Maximum Height 64.5" (164cm)
 Weight 66lbs (30kg)
 Capacity 200lbs (91kg)

\$4080.00



521004
CRANK-O-VATOR III

Minimum Folded Height 62" (158cm)
 Minimum Footprint 18" Dia (46cm)
 Minimum Footprint 56.5" (144cm)
 Footprint 54" Dia (137cm)
 Maximum Height 135" (343cm)
 Weight 91lbs (41kg)
 Capacity 200lbs (91kg)

\$4590.00



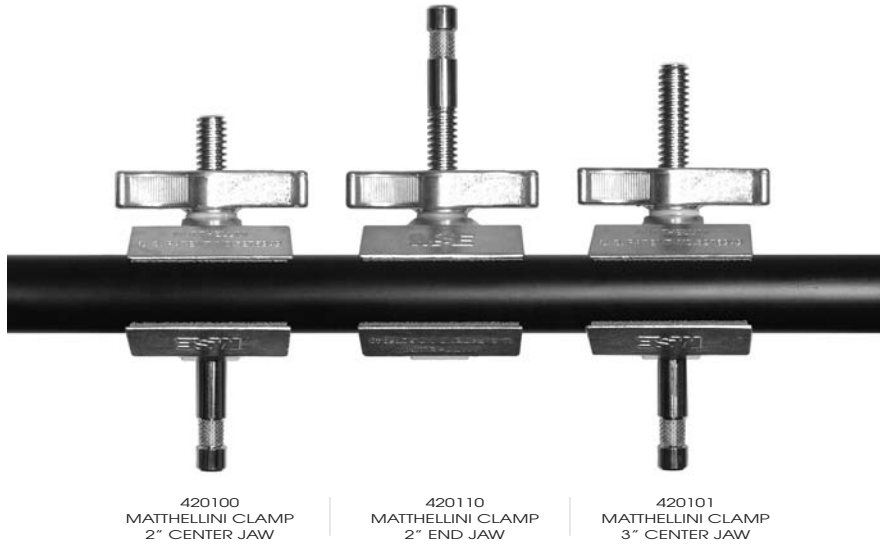
521003
Super VATOR III

Minimum Folded Height 67" (171cm)
 Minimum Footprint 16x19" (41x49cm)
 Minimum Load Height 56" (143cm)
 Footprint 89" Dia (226cm)
 Maximum Height 132" (335cm)
 Weight 130lbs (60kg)
 Capacity 200lbs (91kg)

\$6426.00



“... the real deal; tough, durable equipment that will interact to create the support necessary to meet the need... built with the “Why Factor” — we know not only what it does but why!”



Matthellini Clamps

Provides strong, solid gripping of round, square or rectangular tubing and many other common and irregular shapes. Features ergonomic handle design and reinforced jaws as the shaft is 1010 chrome plated steel. The 3/8" threaded version is perfect for mounting camera, lighting and many other devices w/ 3/8" female holes, and also comes with a jam nut to prevent rotation. Available with 2" or 3" Center Jaw and 2" or 6" End Jaw. The Center Jaw has a fixed jaw mounted at the base of the Baby Pin portion of the shaft providing strong support for the pin. The End Jaw has the fixed jaw mounted at the end of the threaded portion of the shaft. Superior in tight places!

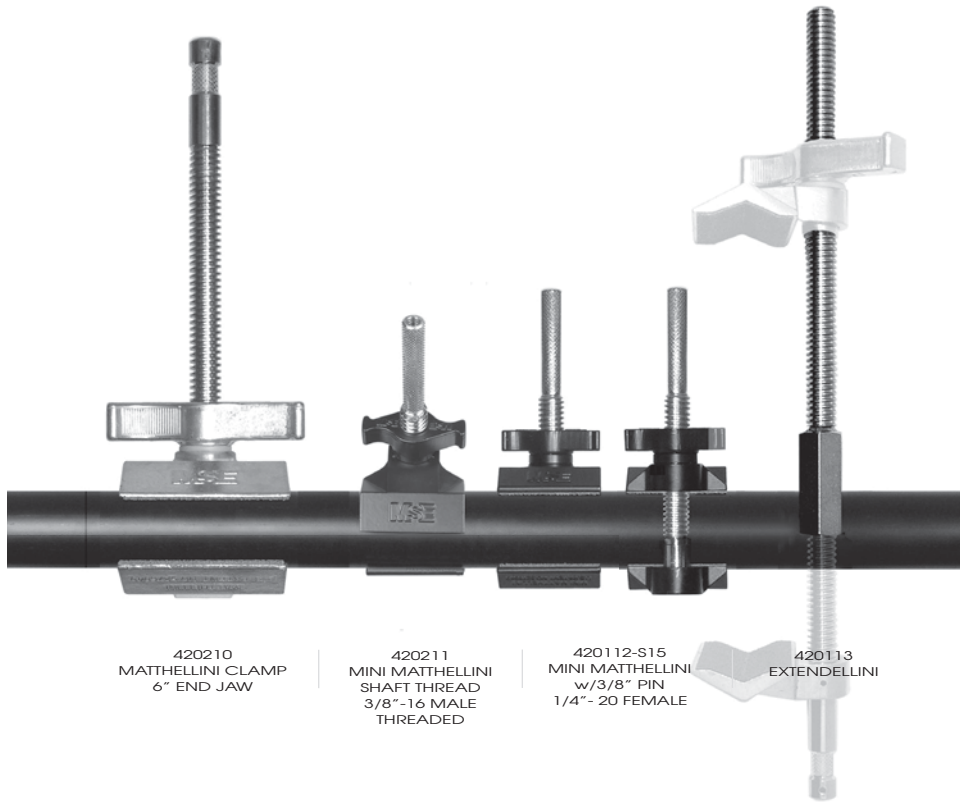
MANUFACTURED UNDER LICENSE, STEVE CARDELLINI, U.S. PATENT NUMBER 5,276,949

420100	Matthellini Clamp – 2" Center Jaw	1.5	\$70.00
420101	Matthellini Clamp – 3" Center Jaw	1.5	70.00
420110	Matthellini Clamp – 2" End Jaw	1.5	70.00
420210	Matthellini Clamp – 6" End Jaw	1.5	76.00
420211	Mini Matthellini Clamp – 2" End Jaw 3/8"-16 Male Threaded	1.0	54.00
420112-S15	Mini Matthellini Clamp – 2" End Jaw 1/4"-20 Female	1.0	53.00

"If it's made right... you should



only have to buy grip once."



420210
MATTHELLINI CLAMP
6" END JAW

420211
MINI MATTHELLINI
SHAFT THREAD
3/8"-16 MALE
THREADED

420112-S15
MINI MATTHELLINI
w/3/8" PIN
1/4"-20 FEMALE

420113
EXTENDELLINI

Matthellini Clamps — Extendellini

In response to the industry's requests for an increase in the gripping range of Matthews popular Matthellini line of clamps, Matthews now introduces the 'EXTENDELLINI' with an increased gripping range of nearly 10 inches.

By simply removing the movable jaw, spin handle and bushing from the Matthellini Clamp and securing the new Extendellini to the thread of the clamp, you will increase your gripping range by almost one foot. You can now safely secure the extended clamp and fixture to an even wider variety of objects.

Like the Matthellini Clamp, the Extendellini is a precision machined, chromed product for durability and ease of operation. The Extendellini works with both the 2" and 3" Center Jaw Matthellini or Cardellini Clamps.

420113 | Extendellini | 2.2 | \$26.00



END JAW
APPLICATION



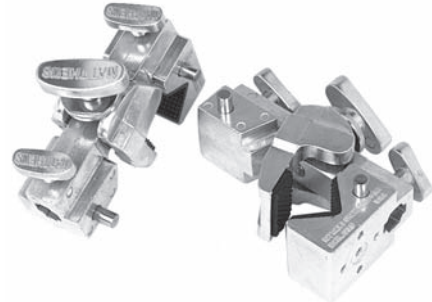
MATTHELLINI
COMPARISON
3/8"-16 MALE THREADED
VS
1/4"-20 FEMALE



540004
SUPER MAFER CLAMP



541004
SUPER MAFER CLAMP W/PIN



540011
DOUBLE SUPER MAFER CLAMP

Mafer Clamps®

Super Mafer Clamp®

Strengthened to withstand greater clamping pressure than any other clamp of its kind, the Super Mafer Clamp is now even more diversely effective. The protective pads in the jaws have been reformulated for better gripping action. Because of its superior strength, several new attachments have been added.

540004	Super Mafer	1	\$36.00
B540004	Super Mafer — Black	1	36.00
541004	Super Mafer w/Pin	1	45.00
B541004	Super Mafer — w/Pin Black	1	45.00

Double Super Mafer Clamp®

The Double Super Mafer allows the use of two Mafer attachments with one clamp. The castings and the reformulated protective pads in the jaws are now strong enough for us to be able to make this Double Super Mafer Clamp. Use a Hollywood Superflex Arm at one end and a 5/8" Baby Pin with a light fixture at the other end, or do the reverse and use the small light fixture on the Superflex Arm and a Grip Head with Gobo Arm and Flag on the other end.

The possibilities are endless!

540011	Double Super Mafer	1.5	\$57.00
--------	--------------------	-----	---------

Grip Head — Right Angle Snap In Grip Head

This 2-1/2" Grip Head comes off at a right angle from the Super Mafer Clamp, allowing it to be used on a vertical riser without a clearance problem.

209636	Grip Head — 2-1/2" Right Angle	1.2	\$51.00
--------	--------------------------------	-----	---------



209636
RIGHT ANGLE SNAP IN
GRIP HEAD

Snap in Grip Head Stem Head — Snap In

A 2-1/2" Grip Head with a snap in pin attached.

540015	2-1/2" Stem Head — Snap In	1.25	\$67.00
--------	----------------------------	------	---------



540015
SNAP IN STEM HEAD



B209642 | SNAP IN SWIVEL U HOOK



209639 | SNAP IN OFFSET ARM



209638 | 4"x 4" SNAP IN MOUNTING PLATE



209641 | SNAP IN RIGHT ANGLE PIN

Mafer Clamp® Accessories

Offset Arm — Snap In

The Offset arm has two snap-in pins in opposite directions so that the arm can be used in either the horizontal or vertical position when mounted in a Super Mafer Clamp. It also features two 5/8" pins.

209639 Offset Arm — Snap In 1.25 \$40.00

Mounting Plate 4 X 4 — Snap In

A 4"x4" plate with mounting holes in each corner and a snap-in pin welded to it. Useful for mounting signs or small platforms with Super Mafer Clamps.

209638 Mounting Plate 4"x 4" — Snap In .50 \$32.00

Snap In Pins

For mounting of lighting fixtures. Matthews offers three different sizes to fit most motion picture and still photographic instruments. 5/8", 1/2" and 3/8".

209637	1/2" Pin — Snap In	.25	\$18.00
209633	3/8" Pin — Snap In	.25	12.00
209632	5/8" Pin — Snap In	.25	10.00
209641	Right Angle — Snap In	1	25.00

Swivel U-Hook

A U-Hook bracket that can be used to hang cables; or, when used in pairs, to suspend tubes, pipes, backgrounds or even to support a horizontal Matthpole.

B209642 Swivel U-Hook Snap-in .50 \$18.00

Weld On Snap In

Raw steel (not plated) for welding onto... whatever! To be mounted into a Super Mafer Clamp.

209640 Weld on Snap-in .25 \$7.00

Swivel Snap In

Allows two Super Mafer's to be connected so that one can swivel. Often used to support Microphone Fish poles or Matthpoles.

209635 Swivel Snap-in .25 \$12.00

TVMP Snap In

Ideal for mounting small lighting fixtures. Replaces C-Clamp to allow it to mount into a Super Mafer.

429493 TVMP Snap-in .25 \$18.00

HEX Pin to 1/4-20

Ideal for adapting 1/4-20 accessories to mafer clamps.

18069-22 Hex Pin to 1/4-20 .25 \$11.00



18069-22
HEX PIN TO 1/4-20



429493
SNAP IN TVMP



209640 WELD ON SNAP IN &
209635 SWIVEL SNAP IN



SNAP IN PINS
209633, 209637 & 209632



349581 | 4-1/2" HOLLYWOOD GRIP HEAD

Grip Heads

4-1/2" Hollywood Grip Head® —“Lollipop”

Plates now feature two holes of 3/8" and 5/8" diameter that eliminate any confusion. New casting offers positive lock in all directions. The strongest and most popular 4-1/2" Grip Head in the industry. Guaranteed to hold.

349581 4-1/2" Hollywood Grip Head 5 \$116.00

Hollywood Grip Head™

The strongest and most popular grip head in the industry. Plates feature 3/8" and 5/8" mounting holes.

350580 2-1/2" Hollywood Grip Head 1.3 \$40.00
B350580 Available in black finish

Mini Grip Heads

Mini Grip Heads are manufactured from high impact, composite material the MINI GRIP HEAD is strong yet extremely lightweight.

350584 Mini Grip Head .7 \$29.00

Micro Grip Heads

Micro Grip Heads are precision machined, the Micro Grip Head has all of the moves and functions of its Big Brother 2 1/2" grip head but in a smaller package. Ideal for camera accessories and attachments.

350604 1.25" Micro Grip Head .3 \$43.00



350580 | 2-1/2" HOLLYWOOD GRIP HEAD

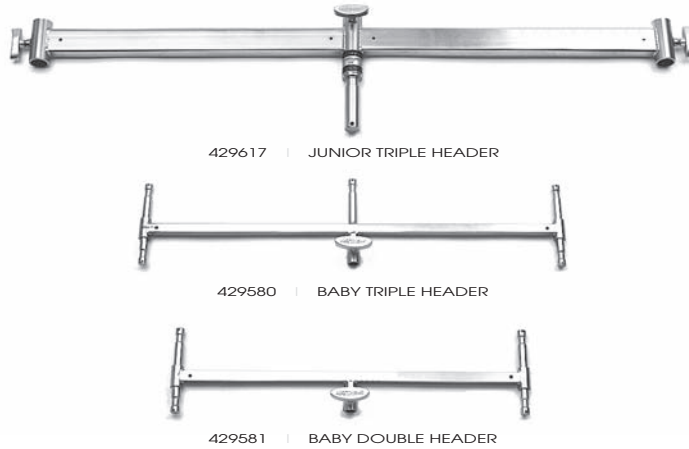


350584 | MINI GRIP HEAD



350604 | 1.25" MICRO GRIP HEAD

“Stupid Heads go both ways...  locks in any direction.”



Accessories

Junior Stand Extensions

The Junior Stand Extension is made from heavy wall steel pipe that fits into any Junior Receiver. The last 6 inches of the shaft are painted red as a warning. The unit terminates in a Junior Receiver at the top.

426019	36" Junior Stand Extension	4.75	\$81.00
--------	----------------------------	------	---------

Baby Stand Extensions

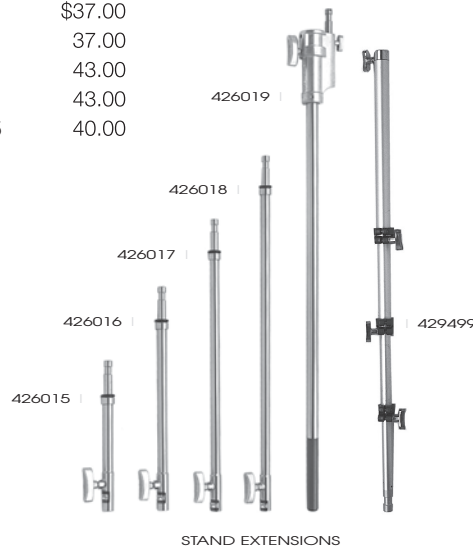
When a Baby Lighting fixture needs to be just a little higher, the stand extension can be added to the top of the stand, nail on plate or other hardware. A light weight extendable version is also available.

426015	6" Baby Stand Extension	1	\$37.00
426016	12" Baby Stand Extension	1	37.00
426017	18" Baby Stand Extension	1.5	43.00
426018	24" Baby Stand Extension	1.5	43.00
429499	Extendable Baby Stand Extension Dimensions 16" to 50"	1.25	40.00

Headers

Double or Triple Headers are especially useful when several light fixtures are needed in a relatively small amount of floor space. These headers are mounted on the light stand and allow four objects to be mounted on the Baby Double Header and five on the Baby Triple Header. The Junior Triple Header allows the use of three larger fixtures. All female receivers are of the Posi-V-Lock Design.

429581	24" Baby Double Header	2.75	\$ 51.00
429580	30" Baby Triple Header	3.25	70.00
429617	48" Junior Triple Header	12	173.00





429614 | GAG



429642 | DOUBLE GAG



429599 | 6" PIN



429701 | 5/8" FEMALE TO FEMALE ADAPTER

Accessories

Gag & Double Gag

The Gag is the combination of two sets of Grip Head Plates on one shaft, and with one locking spin handle. It serves many purposes, such as making a yoke with a Grip Head at each end or converting a Double Extension Arm to a Triple Extension Arm, feathering two Open End Scrimms for a graduated lighting effect. The Double Gag combines two Grip Heads onto one 1/4" mounting shaft and allows each head to be locked individually.

429614	Gag	1.5	\$40.00
429642	Double Gag	2.5	84.00

Drop Ceiling Scissors Clamp

Made to attach to the dropped ceiling tile support rails found in many offices, it affords the mounting of small lighting instruments on its 5/8" pin without the need for a stand. The Drop Ceiling Cable Holder (included) clips onto the 5/8" pin to keep cables near the ceiling and out of the shot. A Drop Ceiling Scissors Clamp is also available with a 1/2" pin.

429733	Drop Ceiling Scissors Clamp with 1/2" Pin	.25	\$17.00
429678	Drop Ceiling Scissors Clamp with 5/8" Pin	.25	19.00



429678 | DROP CEILING SCISSORS CLAMP W/5/8" PIN
429733 | DROP CEILING SCISSORS CLAMP W/1/2" PIN



429599 | 6" PIN W/COLLAR



429066 | PUTTY KNIFE

Putty Knife with 5/8" Pin

Another emergency kit gadget that allows the placement of a 5/8" pin in many unusual locations. Because of its strength and its very thin profile the Putty Knife can be slipped behind a door molding, window sill molding, the top of a closed door, a baseboard, the backing on a bookcase and so on.

429066	Putty Knife with 5/8" Pin	.50	\$27.00
--------	---------------------------	-----	---------

5/8" Female to Female Adapter

429701	5/8" Female to Female Adapter	2	\$33.00
--------	-------------------------------	---	---------

6" Pin with Collar

Small and easy to keep in that emergency kit, the 6" Pin with Collar can be mounted in a Grip Head, without fear of it slipping through the hole when a light fixture is attached. Often used with a 40" Gobo Arm as a short light boom.

429599	6" Pin with Collar	1	\$15.00
--------	--------------------	---	---------



350623 | 1/4-20 MALE TO 5/8 FEMALE ADAPTER



350625 | 5/8 FEMALE TO 1/4-20 MALE ADAPTER



861833 | 3/8 MALE TO 5/8 FEMALE ADAPTER



429489 | KIT ADAPTER

Accessories

Adapter

Converts any Baby 5/8" pin. Especially useful to photographers whose strobes often call for mounting sizes other than 5/8".

350623	1/4-20 Male to 5/8 Female Adapter	.75	\$33.00
350625	5/8 Female to 1/4-20 Male Adapter	.50	14.00

Baby Adapter

Baby 3/8" Female to 3/8" Male Adapter is used to allow devices with a 3/8 female thread to be mounted onto anything with a 5/8" Baby Pin. Commonly used in the motion picture industry it can be found on everything including stands, rods, clips, clamps and more.

861833	3/8 Male to 5/8 Female Adapter	.75	\$34.00
--------	--------------------------------	-----	---------

Adapter Kit

Converts any Baby 5/8" pin. Especially useful to photographers whose strobes often call for mounting sizes other than 5/8". The Adapter Kit includes a 5/8" female adapter with a 1/4-20 male thread and one each of 3/8" and 1/2" male pins.

429489	Adapter Kit	1	\$59.00
--------	-------------	---	---------

Baby Pipe Adapter

An inexpensive, yet efficient way to fasten a 5/8" pin to a pipe or stand riser. The wedge tab on the tightening screw protects the integrity of the pipe or tube.

429597	Baby Pipe Adapter	1	\$45.00
--------	-------------------	---	---------

Baby 2Fer and 3Fer

Baby 2fers and 3fers are a strong and versatile way of adapting 5/8" females or grip heads into two or three 5/8" male pins.

209644	Baby 2fer (Triple)	1	\$26.00
209645	Baby 3fer (Quad)	1.25	31.00

Bar Clamp Adapters

Another product which was designed to allow the mounting of a small light fixture to a Furniture Clamp, but which has become a product used for much more. The Bar Clamp Adapter can be mounted on any rod measuring up to 1" diagonally. The 5/8" pin can also be mounted into a Grip Head and used to hold small items.

429595	Bar Clamp Adapter with 5/8" Pin	.50	\$29.00
429036	Bar Clamp Adapter with 5/8" Pin for Heavy Duty Bar Clamp	1	40.00



429595 | BAR CLAMP ADAPTER



429597 | BABY PIPE ADAPTER



209644 | BABY 2FER



209645 | BABY 3FER



429036 | HEAVY DUTY BAR CLAMP ADAPTER

"Knurling...  An old Canadian sport!"



Accessories

TVMP/Bale Block

Most TV lighting instruments have a hole in the yoke for the mounting of a C-Clamp. When one of these fixtures needs to be mounted on a stand, the TVMP Adapter makes this easy. With an external diameter to fit into a Junior receiver, and a 5/8" female bore for mounting on a Baby pin, the threaded 1/2" -13 top attaches right to the lamp yoke. Complete with Matthews T-Handle.

429492 TVMP Adapter .25 \$18.00

Stand/SPUD Adapter

Machined from solid steel, the Stand/SPUD Adapter is exceptionally strong. Used to convert Junior 1-1/8" female to Baby 5/8" male.

429029 Stand/SPUD Adapter 1-1/8" to 5/8" 1.5 \$29.00

Jr. Baby Adapter

Manufactured with the exclusive Matthews Posi-V-Lock design. 1-1/8" female to 5/8" female.

429301 Jr. Baby Adapter .50 \$43.00

Right Angle Baby Pin Adapter

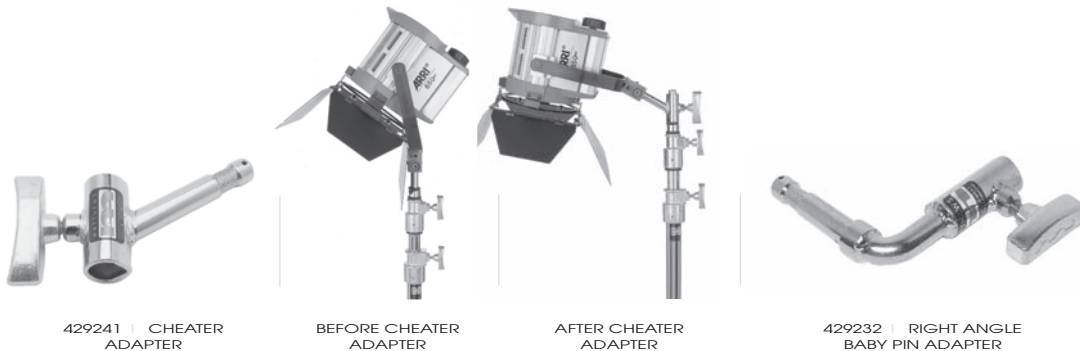
Permits a fixed 90° angle offset from any Baby Pin.

429232 Right Angle Baby Pin Adapter 1 \$45.00

Cheater Adapter

The Cheater Adapter has a 5/8" receiver with the Baby Pin set at an angle, to eliminate barn door interference.

429241 Cheater Adapter .75 \$40.00

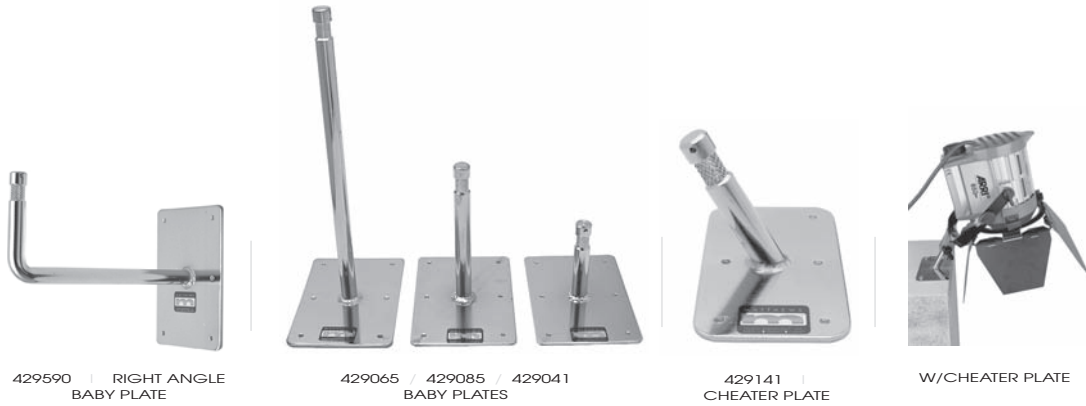


429241 | CHEATER ADAPTER

BEFORE CHEATER ADAPTER

AFTER CHEATER ADAPTER

429232 | RIGHT ANGLE BABY PIN ADAPTER



429590 | RIGHT ANGLE
BABY PLATE

429065 / 429085 / 429041
BABY PLATES

429141
CHEATER PLATE

W/CHEATER PLATE

Accessories

Baby Plates — “Pigeons”

This piece of equipment has almost as many names as it has uses. Originally designed for mounting Baby fixtures to the top of set walls, they are also used as the world’s lowest stand, nailing to a floor or on an Apple Box. Other names include Baby Nail On, 750 Pigeon, or just Nail On Plate. Matthews manufactures Baby Plates in 3”, 6” and 12” straight and a 12” Right Angle.

429041	3” Baby Plate	1	\$21.00
429085	6” Baby Plate	1.5	21.00
429065	12” Baby Plate	1.75	25.00
429590	Right Angle Baby Plate	1.75	29.00

Junior Wall Plate

Functions very much the same way as a Baby Plate, but it’s made with a heavier plate and a 1-1/8” Posi-V-Lock receiver for larger lights.

429582	Junior Wall Plate	3.5	\$40.00
--------	-------------------	-----	---------

Receiver Mounting Plate

Often used as the foundation for a monitor platform, a speaker platform or for placing product. The plate has a 5/8” receiver for placing directly onto a Baby Stand.

429621	5/8” Receiver Mounting Plate	.75	\$43.00
--------	------------------------------	-----	---------

Cheater Plate™

Similar to the 3” Baby Plate with one big difference the — pin is mounted at an angle, which eliminates barn door interference when positioning a lighting fixture.

429141	Cheater Plate with 3” Pin	1	\$25.00
--------	---------------------------	---	---------

Baby Swivel Plate

Flat mounting plate, with a 5/8” Baby receiver that swivels 360°.

427806	Baby Swivel Plate	1	\$68.00
--------	-------------------	---	---------



429582
JUNIOR WALL PLATE



429621
RECEIVER MOUNTING
PLATE



427806
BABY SWIVEL PLATE



209494 | CANTRELL HOLDER



209495 | FOAM CORE HOLDER



429042 | QUACKER CLAMP

Accessories

Cantrell Holder

The Cantrell Holder is a 3/8" shaft, threaded at one end with square plates attached. The foam core is 'speared' and the white plate is then mounted on the foam with the wing nut. The shaft may then be mounted into a Grip Head and the foam core placed and held in position on any stand.

209494
Cantrell Holder
1 lb (5kg)
\$57.00

Foam Core Holder

Made with a pivoting ball that locks for easier adjustment, the foam core or bead board are taped onto the flat plate. The Foam Core Holder is also often used to hold small mirrors for reflecting Xenon light beams around a set.

209495
Foam Core Holder
1.25 lbs (.75kg)
\$62.00

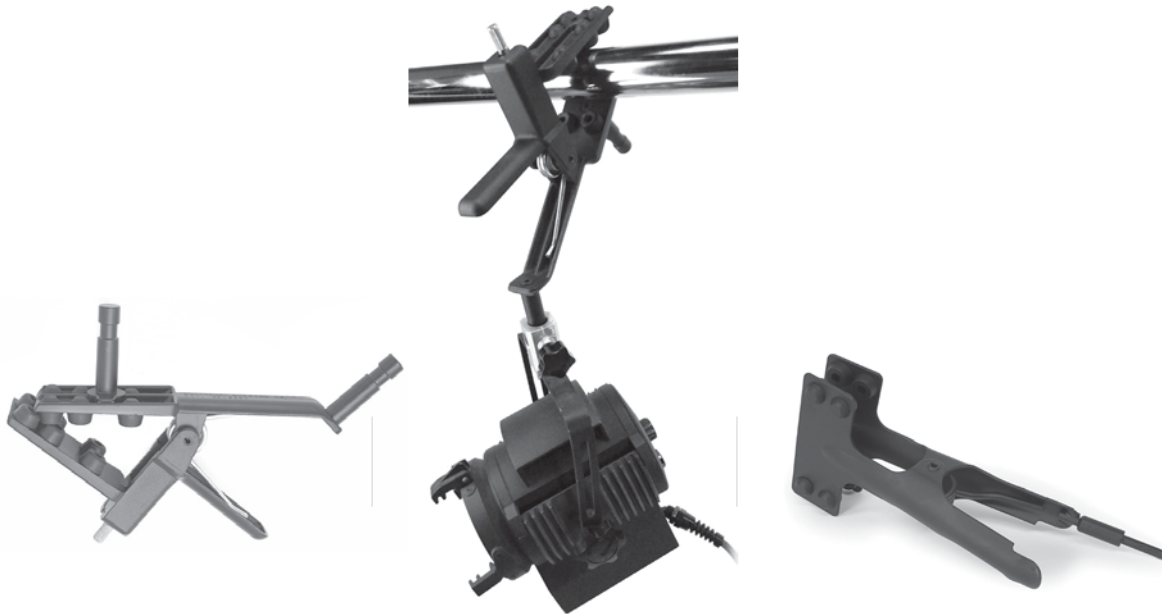
Quacker Clamp

Also known as the Duck Bill or Platypus Clamp. This clamp is ideal for positioning foam core or bead board.

429042
Quacker Clamp
2 lbs (1kg)
\$108.00



QUACKER CLAMP APPLICATION



B429587 | GAFFER GRIP

APPLICATION

B429500 | AFFLAC CLAMP

Accessories

Gaffer Grip

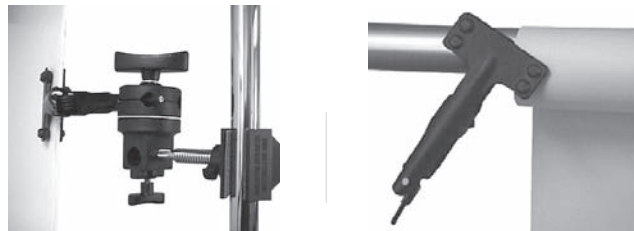
This multi-use clamp can put small light fixtures virtually anywhere that the adjustable jaw can clamp over. The jaw is equipped with 12 rubber gripper pads that not only protect the surface being clamped but also provide greater gripping ability. Because the jaw opening is adjustable, the clamp will grip to 3-3/4".

B429587
Gaffer Grip
1.25 lbs. (.70kg)
\$41.00

AFFLAC Clamp

The AFFLAC Clamp was designed by Matthews to hold small reflector cards, gels and foam core mostly for tabletop shooting. We've welded the same pin as is found on a Dot or Finger to a Spring Clamp so that it can be mounted into a Hollywood Superflex Arm, a Flex Arm or a Grip Head.

B429500
AFFLAC Clamp — Black
.5 lbs (.25kg)
\$33.00



AFFLAC CLAMP W/FOAM CORE & PAPER ROLL



540023 | SCRIM FLAG ADAPTER



540024 | KNUCKLER HEAD

SuperFLEX®

SuperFLEX® Arm

Totally redesigned to be the only Articulated Arm that locks firmly enough to be able to hold a small light fixture securely. The serrated ball joints and the redesigned end receiver are all part of Matthews Magic. The end receiver is a 5/8" Baby Pin on the outside and will accept the standard Dot, Finger or Flex Frame pin on the inside; and is tapped 3/8-16 internally to receive other camera accessories. Available only in the snap-in version for use with Super Mafer Clamp.

540001 SuperFLEX Arm Snap-in 1.5 \$127.00
See SCRIM FLAG ADAPTER 540023.

Adapter — Baby Pin to 17mm

Converts 5/8" male to 17mm female. Also, by reversing the position of the set screw and the T-Handle, can be semi-permanently attached to any snap-in accessory (i.e. Hollywood Superflex, Microphone Adapter, Right Angle Snap in). For use with 5/8" male mounting such as a Matthellini Clamp, Nail on Plate or 5/8" stand top, etc.

429702 Adapter — Baby Pin to 17mm .25 \$29.00

Knuckle Head

The ultimate positioning device. Mounts to 5/8" male or 1-1/8" female, and is internally threaded 3/8-16 to support standard camera accessories. It rotates in all axis and will easily support up to 15 pounds. Made for Dots, Fingers, Flex Scrim and small light fixtures accepting 5/8" male. Add the Scrim Flag Adapter (see Matthews #540023 below) for Flags and Scrim.

540024 Knuckle Head 1 \$45.00

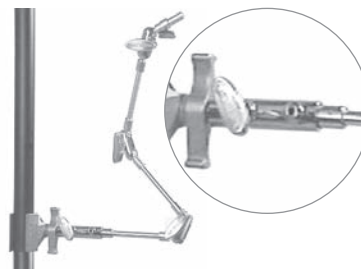
Scrim Flag Adapter

Locks into the SuperFlex to allow the use of a scrim or flag.

540023 Scrim Flag Adapter .25 \$29.00
See HOLLYWOOD SUPERFLEX 540001.



540001 | SUPERFLEX ARM SNAP IN



ADAPTER BABY PIN APPLICATION



388211 | GOBO ARM W/MAGIC FINGER

Fingers, Head & Arms

Magic Finger®

The Magic Finger has become one of the most popular grip accessories of all time. The 5/8" pin attached to the ball joint pivots from -15° to +90° while the collar rotates 360°. Axis locks positively with one locking handle. The stand mounting portion has an outside diameter of 1-1/8" to fit into a Junior Receiver, while the inside is designed to mount on a 5/8" pin. The Matthews Magic Finger is machined from one solid piece of steel which allows for the strongest, safest product of this type available. Knockoffs of the Matthews Magic Finger are made from two pieces of steel that are bolted together and do not offer the unitized characteristics of the Matthews product.

388210
Magic Finger
2 lbs (1kg)
\$98.00

Broken Arm®

More versatility, faster setups and finer adjustments are three things desired most on a set. Adding the Broken Arm to any equipment request will do just that. Used like any other Gobo Arm, the Broken Arm incorporates the 2-1/2" Head and can hold all the same items, but it has the unique ability to change its position and rotate 360° in two axis. Now a Cookie, Scrim, Flag or small lighting fixture can be repositioned in just nanoseconds.

U.S. PATENT # 5,806,821

680011
Broken Arm — Standard Finish
4 lbs (2kg)
\$230.00

GOBO Arm with Magic Finger®

One of the most popular grip accessories of all time has been incorporated into a 40" Gobo Arm. The ball joint on the Magic Finger pivots from -15° to +90° while the collar rotates 360°.

U.S. PATENT # 5,806,821

388211
40" Gobo Arm with Magic Finger
3.25 lbs (1.5kg)
\$137.00



388210 | MAGIC FINGER



680011 | BROKEN ARM



BABY | C CLAMPS | JUNIOR | TOP VIEW OF JUNIOR RECEIVERS

C Clamps

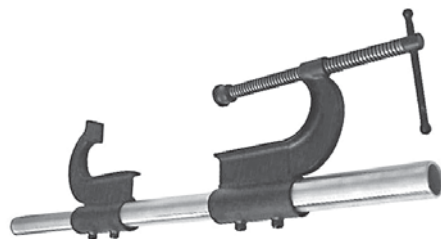
Matthews C Clamps are available in 4", 6", 8", 10" and 12" with or without 5/8" mounting pins or Junior Receivers. Each clamp has a steel channel welded to both sides of the opening for better and safer locking. Clamps made for mounting Baby fixtures have two separate pins at different angles so that the light fixtures may fit with minimal clearance. Junior Receivers are made in two fixed versions, horizontal and vertical.

Matthews C Clamps are manufactured from premium drop forged steel. It should be noted however, that since the Matthews clamp is an adaptation of a standard C Clamp, there is no effective warranty on the part.

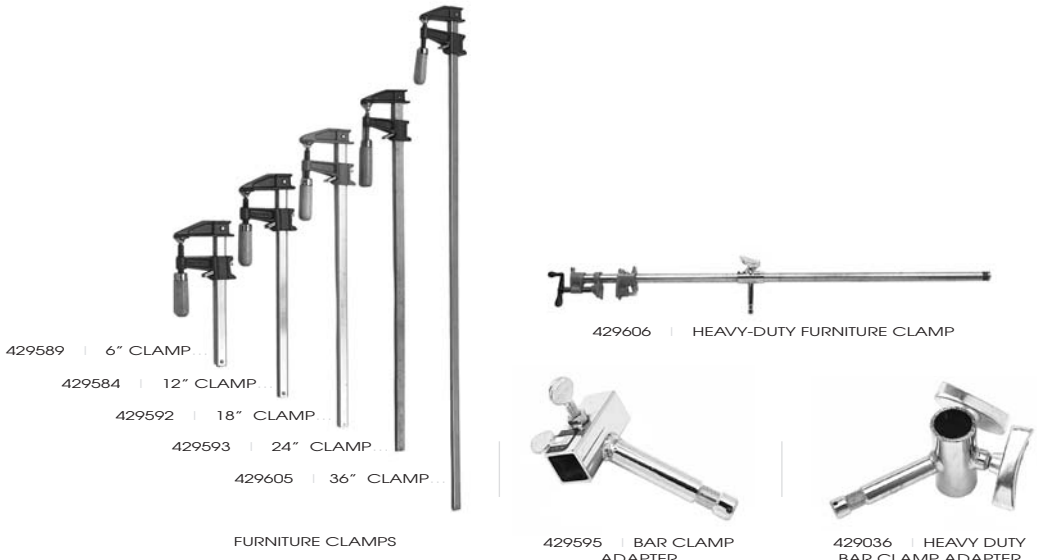
Speed C Clamps

Taking a standard 10" clamp and adding Speed Rail fittings makes this clamp one of the most versatile. Clamp adjusts from 10" to 20". Riding on standard 1-1/4" Speed Rail this multi-purpose clamp can make any rigging challenge easier. Matthews C Clamps are manufactured from premium drop forged steel. It should be noted however, that since the Matthews clamp is an adaptation of a standard C Clamp, there is no effective warranty on the part. Black only.

429694	4" C Clamp	2	\$38.00
429594	4" C Clamp with 2-5/8" Pins	2.25	57.00
429695	6" C Clamp	3.5	44.00
429596	6" C Clamp with 2-5/8" Pins	3.75	63.00
429696	8" C Clamp	5.75	62.00
429598	8" C Clamp with 2-5/8" Pins	6	78.00
429690	8" C Clamp with Horizontal Junior Receiver	5	92.00
429697	8" C Clamp with Vertical Junior Receiver	5	92.00
429229	10" C Clamp	7	81.00
429228	10" C Clamp with 2-5/8" Pins	7.25	104.00
429602	12" C Clamp	7	116.00
429603	12" C Clamp with 2-5/8" Pins	7.25	143.00
439004	4" C Clamp — with Double Jr. Receiver	3	70.00
439006	6" C Clamp — with Double Jr. Receiver	4	81.00
439008	8" C Clamp — with Double Jr. Receiver	5	92.00
439010	10" C Clamp — with Double Jr. Receiver	7.5	116.00
439012	12" C Clamp — with Double Jr. Receiver	9	156.00
439013	Speed C Clamp	7.5	184.00



439013 | SPEED C CLAMPS



429589 | 6" CLAMP ...
 429584 | 12" CLAMP ...
 429592 | 18" CLAMP ...
 429593 | 24" CLAMP ...
 429605 | 36" CLAMP ...

FURNITURE CLAMPS

429606 | HEAVY-DUTY FURNITURE CLAMP

429595 | BAR CLAMP ADAPTER

429036 | HEAVY DUTY BAR CLAMP ADAPTER

Clamps

Furniture Clamps

Available in 6" to 36" lengths. Also known as Bar Clamps, a rough adjustment is made by releasing the spring loaded lock and sliding the adjustable half of the clamp over the serrated bar. Final tightening is done with the worm screw handle. The Bar Clamp Adapter, included, slides over the bar and tightens with two thumb screws. Bar Clamp Adapters are also sold separately.

429589	6" Furniture Clamp with 5/8" Bar Clamp Adapter Included	1.50	\$37.00
429584	12" Furniture Clamp with 5/8" Bar Clamp Adapter Included	1.75	37.00
429592	18" Furniture Clamp with 5/8" Bar Clamp Adapter Included	2	48.00
429593	24" Furniture Clamp with 5/8" Bar Clamp Adapter Included	2	48.00
429605	36" Furniture Clamp with 5/8" Bar Clamp Adapter Included	3	57.00
429595	Bar Clamp Adapter w/ 5/8" Pin	.50	29.00

Heavy Duty Furniture Clamps

429606	Heavy-Duty Furniture Clamp with 5/8" Bar Clamp Adapter	8.75	\$104.00
429036	Heavy-Duty Bar Clamp Adapter	1	40.00

Condor Bracket

Mounted directly to the front edge of the bucket on a Condor Crane, as many as two fixtures can be mounted on the Condor Bracket. No crating necessary.

429611*	Condor Bracket	60	\$688.00
---------	----------------	----	----------

***CONDOR CRANES, BUCKETS AND BRACKETS ARE VERY DANGEROUS AND SHOULD ONLY BE OPERATED BY QUALIFIED PERSONNEL WHO HAVE RECEIVED FORMAL SAFETY TRAINING IN THEIR OPERATION.**

Candlestick

Used to mount junior pin light fixtures to Condors.

511661	Candlestick	10	\$67.00
--------	-------------	----	---------



511661 | CANDLESTICK



429611 | CONDOR BRACKET (FOLDED)



CONDOR BRACKET MOUNTED TO A CONDOR CRANE



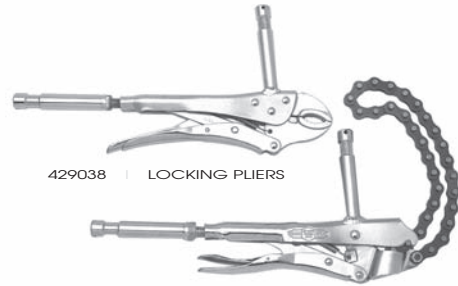
429611 | CONDOR BRACKET



429583 | SET WALL BRACKET



429648 | BAILIN BRACKET



429038 | LOCKING PLIERS

429039 | CHAIN VICE GRIP

Brackets

Set Wall Bracket

Specifically designed to be attached to the top of a set wall or over a 2 x 4 or 2 x 6 to make an extremely stable support for mounting lighting fixtures. The Set Wall Bracket is made with a 1-1/8" receiver.

429583 Set Wall Bracket 1.75 \$39.00

Bailin Bracket

This handy piece of equipment can be mounted in any 1-1/8" Junior Receiver to suspend 2 x 4 or 2 x 6 lumber for use as a lighting beam or for attaching backdrops.

429648 Bailin Bracket 3 \$55.00

Poultry Bracket

Need a Junior as a backlight, but can't use a light stand because it can't be hidden behind the telephone pole that is in the shot? Use the telephone pole as your light stand. Or use a street lamp or a tree trunk! The Matthews Poultry Bracket turns all of these into instant light stands. Made with a 1-1/8" Junior Receiver at the end of the arm with a 5/8" pin directly below it, even a cutter can be mounted from the same bracket.

429020 Poultry Bracket 12 \$195.00



429020 | POULTRY BRACKET

Tree Branch Holder

Tree Branch Holders enable the user the opportunity to use a real tree branch instead of a cello or wood cookie. Allowing for natural branch movement, it also hides a multitude of problems when placed in the foreground of a shot, or should the shot require coming in from the side.

429641 Tree Branch Holder 1.5 \$87.00

Chain Grips & Locking Pliers

The Chain Grip provides maximum gripping power on any size pipe up to 6" in diameter. The Locking Plier also provides maximum gripping power on both flat and round surfaces with smaller diameters. **EXTREME CAUTION** must be taken when the 5/8" pin provided on the adjustment screw is used. Be sure that any off-center weight is toward the locking direction (clockwise); allowing more weight on the other side could loosen the jaws.

We use only real Vice Grip products. Don't be deceived by cheaper imitations.

429039 Chain Grip with two 5/8" Pins 2.25 \$90.00
429038 Locking Plier with two 5/8" Pins 1.75 49.00



429641 | TREE BRANCH HOLDER



Mattpoles

Matthews Mattpoles are stronger and more durable than any similar product. The unique “expanding casting” provides the pressure for holding the Mattpole in place. Used primarily in studios for mounting seamless paper and backdrops with the use of Super Mafer Clamps and Swivel U-Hooks. The Mattpole has also been used in a horizontal position behind the President of the United States to support small lighting fixtures, in campaign venues for many candidates, and probably in many places we don’t even know about. Manufactured in three overlapping sizes, Mattpoles can be used in openings as small as 30” to 178” which is almost 15 feet without the need for extensions.

CAUTION: Because tubing can sag over long lengths and when weight is added, the Mattpole may become loose and could come down. It is therefore recommended that vertical Mattpoles with two Super Mafer Clamps mounted at right angles with a #209635 Swivel at each end be used to support the horizontal Mattpole. To avoid damage to the wall or ceiling, Mattpoles should only be used directly in line with studs.

B427083
Mini Mattpole
(30” to 53” / 76cm to 135cm)
Black
3 lbs.
\$118.00

B427080
Maxi Mattpole
(99” to 187” / 252cm to 475cm)
Black
7 lbs.
\$179.00

B427082
Mattpole
(53” to 97-1/2” / 135cm to 248cm)
Black
3.5 lbs.
\$127.00



MATTHPOLE SIDE LOCK



429017 | WALL SPREADER 2X6



429016 | WALL SPREADER 2X4

Accessories

Wall Spreaders

Wall Spreaders are used in both vertical and horizontal positions. They are placed at each end of either a 2 x 4 or 2 x 6 pre-cut piece of lumber. The Wall Spreader is a two-piece system, one is simply a receptacle for the lumber with a padded flat plate welded to it to protect the wall or ceiling and the other is a receptacle for lumber and a telescoping piece to insure a tight fit.

CAUTION: Because lumber sags over long lengths and when weight is added, the entire structure may become loose and could come down. To avoid damage to the wall or ceiling, plates should only be used directly in line with studs.

429016	Wall Spreader — 2 x 4	6.75	\$133.00
429017	Wall Spreader — 2 x 6	9	133.00

Trapeze

Obtaining its name from the obvious similarity to its circus counterpart, not just because of its look, but also its function; the Trapeze is used to “fly” a lighting instrument, chandelier or other practical light into a set usually from a grid or catwalk on the center ring via either rope, chain or cable. The ring welded at each end of the Trapeze is for attaching positioning ropes.

429591	Trapeze	3	\$92.00
--------	---------	---	---------



429591 | TRAPEZE



B429037 | T-BONE



529604 | EXTENSION EAR SET OF 3

T-Bone

The T-Bone, also called T-Bone Turtle, is the ultimate “Pigeon”. Made of heavy-gauge steel, with supported 1-1/8” Posi-V-Lock receiver, this piece of equipment is usually nailed or screwed to the studio floor for mounting larger fixtures such as Seniors or 10K’s.

B429037	T-Bone	10	\$162.00
---------	--------	----	----------

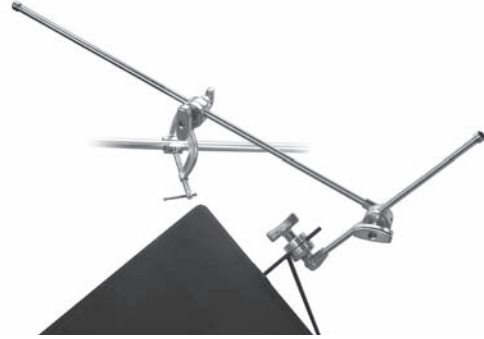
Extension Ears

One of the problems generated by a light source such as a 12K or larger is the tremendous heat transmitted from the front of the light. Using stainless steel diffusion is not a problem; however, when trying to diffuse the source with silk or lighting control filters, extreme temperatures will destroy these materials. The Extension Ear will allow the diffusion to be positioned a distance away from the light source, thereby avoiding the intense heat and creating an even spread of the light.

529604	12K Extension Ear (set of 3)	4.5	\$689.00
--------	------------------------------	-----	----------



429682 | MEAT AXE



429683 | MINI MEAT AXE

Accessories

Meat Axe

The Meat Axe is primarily used on catwalks. It will clamp onto the handrail, although it may be used on pipe grids. The 72" arm is adjustable so it can pivot in all directions around the mounting clamp and will telescope in and out of the set. It has a 2-1/2" Grip Head on one end and a small handle on the other end for positioning.

429682	Meat Axe	10	\$252.00
--------	----------	----	----------

Mini Meat Axe

The Mini Meat Axe incorporates a uniquely designed Grip Head with simultaneous 3-axis adjustment. Locks firmly in position with a single handle. One 20" and one 40" long 5/8" round stainless steel shafts can be securely locked in any position around the 4" C Clamp used to mount the Mini Meat Axe to the grid or hand rail. The terminating Grip Head will support any size Meat Axe Flag or conventional Scrims or Cutters. Unquestionably the strongest device of its kind available.

429683	Mini Meat Axe	8.25	\$190.00
--------	---------------	------	----------

Trombones

Trombones derive their name from the musical instrument that also telescopes. Designed to hang on a set wall, the retaining arms adjust to the thickness of set wall for security. The arm has a 90° offset on it and telescopes in two sections. Comes with a tennis ball slipped over the lowest vertical drop to protect the wall. Telescopes 18" to 48".

429046	Trombone Baby	9.25	\$201.00
429047	Trombone Junior	9.25	213.00

Studio Overhead Grip Arm

Usually clamped to a grid or the railing of a catwalk, the attached Grip Head and Gobo Arm are used for positioning Flags and Cutters or other manual lighting control devices. A safety collar or pin prevents the Gobo Arm from sliding through the Grip Head.

429622	Studio Overhead Grip Arm	6.5	\$133.00
--------	--------------------------	-----	----------



429046 | BABY TROMBONE



429047 | JUNIOR TROMBONE



429622 | STUDIO OVERHEAD GRIP ARM



B429720 | B429746 | B429742
LIGHTWEIGHT TELESCOPING HANGERS



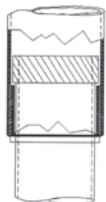
B429720 | 1' TO 2'
LIGHTWEIGHT TELESCOPING HANGER

Hangers

Lightweight Telescoping Hangers

Designed for use with lightweight fluorescents or other fixtures weighing no more than 25 lbs. (11.4kg.) Engineered to telescope from a grid with nominal ceiling clearance. Telescoping Hangers are available in a wide range of lengths and attachment options – for both temporary and permanent placement of lighting fixtures. Constructed of aluminum and cast aluminum fittings. Hanger will accept all pipe clamps currently manufactured. Size and weight is less than 50% of conventional hangers. Hangers come standard with Bolt Mount.

B429720	1 to 2 Ft. (305-610mm) Lightweight Telescoping Hanger with Pipe Clamp	4.5	\$122.00	B429744	3 to 6 Ft. Lightweight Telescoping Hanger with Pipe Clamp and Stirrup Hanger	8.25	172.00
B429740	1 to 2 Ft. Lightweight Telescoping Hanger with Pipe Clamp and Stirrup Hanger	6.25	149.00	B429728	4 to 8 Ft. (1219-2438mm) Lightweight Telescoping Hanger with Pipe Clamp	8	149.00
B429726	1.5 to 3 Ft. (457-914mm) Lightweight Telescoping Hanger with Pipe Clamp	8.5	127.00	B429748	4 to 8 Ft. Lightweight Telescoping Hanger with Pipe Clamp and Stirrup Hanger	9.75	177.00
B429746	1.5 to 3 Ft. Lightweight Telescoping Hanger with Pipe Clamp and Stirrup Hanger	6.5	155.00	B429734	5 to 10 Ft. (1524-3048mm) Lightweight Telescoping Hanger with Pipe Clamp	9	156.00
B429722	2 to 4 Ft. (610-1220mm) Lightweight Telescoping Hanger with Pipe Clamp	5.5	138.00	B429754	5 to 10 Ft. Lightweight Telescoping Hanger with Pipe Clamp and Stirrup Hanger	10.75	183.00
B429742	2 to 4 Ft. Lightweight Telescoping Hanger with Pipe Clamp and Stirrup Clamp	7.25	166.00	429779	5/8" Baby Pin with 3/8" Thread.	.50	12.00
B429724	3 to 6 Ft. (914-1828mm) Lightweight Telescoping Hanger with Pipe Clamp	6.5	144.00				



Matthews Hangers are engineered with an internal mechanical stop which will prohibit the Riser from falling through should the lock-off knob be inadvertently released. When properly used, Matthews Hangers are the safest in the business!



STANDARD FITTING
BOLT MOUNT



429779 | 5/8" BABY PIN
W/3/8" THREAD



429676 | 429674 | 429677
TELESCOPING HANGERS



429691 | TELESCOPING HANGER
2'- 6' (609MM X 1828MM)

Hangers

Heavy Duty Telescoping Hangers

Telescoping Hangers have a very substantial pipe clamp to attach to a lighting grid. The pipe clamp has been slightly offset, to allow the riser or drop down tube to slide up when there is sufficient room between the grid and the ceiling. It is therefore possible for a 3' Single Extension Hanger to go from a few inches below the grid to the fully extended 3 feet. Matthews Telescoping Hangers are available in single stage and double stage. All terminate in 1/2"-13 female thread to permit the attachment of several hanging accessories listed below.

429676	Telescoping Hanger Single Extension 3 Ft. (914mm)	8	\$190.00	429675	Telescoping Hanger Double Extension 5 to 10 Ft. (1524mm - 3048mm)	15	\$304.00
429671	Telescoping Hanger Single Extension 4 Ft. (1219mm)	10	195.00	429691	Telescoping Hanger Triple Extension 2 to 6 Ft. (609mm - 1828mm)	16	241.00
429672	Telescoping Hanger Single Extension 6 Ft. (1828mm)	11.5	213.00	429612	Telescoping Hanger Stirrup	1.75	29.00
429673	Telescoping Hanger Single Extension 8 Ft. (2438mm)	14	225.00	429680	Telescoping Hanger Junior Receiver Adapter	1.5	65.00
429677	Telescoping Hanger Double Extension 3 to 6 Ft. (914mm - 1828mm)	14	259.00	429679	Telescoping Hanger 5/8" Male Pin Adapter	.50	13.00
429674	Telescoping Hanger Double Extension 4 to 8 Ft. (1219mm - 2438mm)	15	287.00	429681	Universal Hanger Adapter	2.5	82.00



429612 | STIRRUP HANGER



429681 | UNIVERSAL
HANGER ADAPTER



429680 | JR. RECEIVER



429679 | 5/8" MALE
PIN ADAPTER



429052 | BAZOOKA
DOUBLE RISER

B429753 | GRIP HELPER

Hangers

BAZOOKA

Most film studios have very high ceilings and catwalks from which much of the lighting is done. Catwalks, also known as decks or greens, can be raised or lowered depending on the set. Catwalks have safety railings and there are usually holes drilled at the edge of the deck about 18" apart. The "L" bracket of the Bazooka fits over the safety railing while the bottom pin fits into the hole in the deck, providing a stable base on which to mount a lighting instrument. The Bazooka terminates in a Combo Receiver.

429052 Bazooka Double Riser 3 \$287.00

Grip Helper

The Grip Helper is a combination of several adapters in one. The Junior Pin of the Grip Helper mounts into a light stand, and the Junior Receiver allows the mounting of a light fixture without upsetting the center of balance. In between there is a 3' to 6' telescoping Extension Arm fixed at a 45° angle with a 4-1/2" Grip Head attached. By using the Grip Helper, a large light fixture and Diffusion Frame up to 48"x 48" can be used from the same stand.

B429753 Grip Helper Junior — Black 10 \$247.00

Crowder Hanger

A Junior Posi-V-Lock Receiver hangs from a 2 x 4 or 2 x 6 without the need to nail it. The 5/8" Adapter is made with a right angle bend and a 5/8" pin at each end, allowing a pin to come straight down or come off at a right angle from the beam.

429624 Crowder Hanger 1.75 \$63.00
429625 Crowder Hanger 5/8" Adapter 1 37.00



429625 | CROWDER
HANGER ADAPTER



429624 | CROWDER
HANGER



Digital Imaging Technician (DIT) Tray

The Matthews media tray allows photographers, videographers, editors and DIT's to easily support media devices using industry standard tools. The new media tray will hold laptops, including the popular MacBook Pro and MacBook Air series, or any other device within the dimensions of 10.5"x16.5" (26.5cm x 42cm). The tray is supplied with an industry standard 3/8" female thread on the bottom, a removable 5/8" (baby) adapter for mounting to light stands or a wide selection of industry hardware.

Weighing under 2lbs (.8kg), the platform is constructed out of T-6 Aerospace aluminum, accompanied by a pattern of air slots, and finished in a non-reflective matte black.

861832 | DIT Tray Kit | \$143.00



B389788 | Medium Duty Kit Stand — Black | \$98.00



MICROgrip™

MICROgrip by Matthews is being introduced as the newest line of grip and mounting products developed especially for the motion picture, television and photographic production industries. This broad range of products has been developed around the MICROgrip head with only a 1.25" (32mm) diameter and tapped 3/8" rods of various lengths.

MICROgrip is great in the studio for table top and product imaging as well as miniature work. The micro-griphead allows all of the moves and features of its bigger 2-1/2" counterpart, but in a smaller package. Accessories to the MICROgrip head include various lengths of 3/8" rods, weighted bases for increased stability, clips to hold props and objects and micro shot bags plus a wide variety of micro scrims and flags.

The creative professional image maker will discover many uses and applications for MICROgrip that will allow them to quickly expand their creativity with more satisfying results

MICROgrip. Matthews smallest endeavor ever!

350604 | MICROgrip Head | \$43.00

VIDEO DEMONSTRATION  @WWW.MSEGRIP.COM

Scrims&Flags

M219063 3" Single Scrim Dot	\$27.00	M229111 2"x 4" Single Scrim Finger.....	\$30.00
M219073 3" Double Scrim Dot.....	\$27.00	M229112 2"x 4" Double Scrim Finger.....	\$30.00
M219083 3" Solid Dot.....	\$27.00	M229113 2"x 4" Art. Silk White Finger....	\$30.00
M219093 3" Artificial Silk Dot.....	\$27.00	M229114 2"x 4" Solid Finger.....	\$30.00

Components



MICROgrip™

Rods

MICROgrip 3/8" Solid Aluminum Black Rod is designed for the 3/8" Grip Gear. The 3/8" MICROgrip Rods come in two different terminating ends, 3/8" Male and 1/4"-20" female and both feature a smooth flat black anaodized finish. The MICROgrip rods and heads can be used for camera rigs whenever a smaller lightweight rig is preferred and are ideal for table top photography. When connecting two 3/8" male end rods together, you will need a 350635 - 3/8" to 3/8" coupler.

350612

MICROgrip Master Kit

2- Bases, 1- Pin & 1- Clip | 6 - MICROgrip Heads
 2 each - 4", 6", 8", 12" & 20" Rods | 2- MICRO Shot Bags,
 1- Kit Bag
 \$485.00

350611

MICROgrip Basic Kit

1- Base, 2 - MICROgrip Heads | 1 each - 8", 12" & 20" Rods
 1- MICRO Shot Bag
 \$168.00



MICROgrip | 3/8" Solid Aluminum Black Rod w/3/8" Male Thread



MICROgrip | 3/8"-16 Aluminum Black Rod w/1/4"-20 Female Thread



MICROGRIP KIT BAG



350602-4 | 20" (510mm) Rod w/1/4"-20 Female Thread | \$12.00

350602-7 | 20" (510mm) Rod w/3/8"-16 Male Thread | \$15.00



350602-3 | 12" (304mm) Rod w/1/4"-20 Female Thread | \$10.00

350602-8 | 12" (304mm) Rod w/3/8"-16 Male Thread | \$13.00



350602-2 | 8" (203mm) Rod w/1/4"-20 Female Thread | \$8.00

350602-9 | 8" (203mm) Rod w/3/8"-16 Male Thread | \$11.00



350602-6 | 6" (150mm) Rod w/1/4"-20 Female Thread | \$7.00

350602-10 | 6" (150mm) Rod w/3/8"-16 Male Thread | \$10.00



350602-5 | 4" (101mm) Rod w/1/4"-20 Female Thread | \$6.00

350602-11 | 4" (101mm) Rod w/3/8"-16 Male Thread | \$8.00



350606 | Clip 1/4" Thread | \$15.00



MICROgrip Mounting Solutions

MICROclamp

Taking after his father, the Mafer Clamp, with both strength and versatility, the Matthews MicroClamp is the newest addition to the MicroGrip family. The MicroClamp can grip to round or flat surfaces, as well as many other objects or shapes one may find on set. Its reduced size and dual 3/8" and 1/4" mounting holes give it extreme flexibility. Its strength is derived from a precision aluminum extrusion, its high performance stick pads and an aluminum locking kip handle.

The MicroClamp is a must have in your bag of tools.

Attachments: 1/4" & 3/8"
 Clamp Range Max: 1.75"
 Payload: 10lbs (5kg)
 Weight: .25lbs (.10kg)

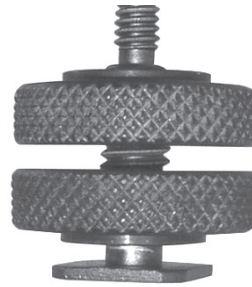
350617 | MicroClamp | \$29.00



MICRO CLAMP
 USED W/20027-10
 1/4" TO 5/8" ADAPTER



350610
ADAPTER 3/8" TO 1/4"
\$20.00



350614
HOT SHOE ADAPTER
TO 1/4"-20
\$30.00

MICROmount™

We know it's the strongest, lightest most versatile and 'won't wear out' mount offered.

Try it and you will too!

The MICROmount Basic Kit by Matthews Studio Equipment is a light/monitor mount utilizing two of the MICROgrip heads and three lengths of 3/8" rod to create a highly flexible mount. This will allow the photographer/operator to enable the on-camera light to be positioned to either side and creating the more desirable 'dimensional' lighting effect, rather than the 'flat' lighting effect. While the basic MICROmounts light/monitor mount is supplied with three 4" rods, the photographer/operator can add longer rods to create dramatic and creative lighting effects with the on-camera lighting fixture.

The MICROmounts light/monitor mount will also serve as an on-camera monitor mount. Its flexibility will allow for the monitor placement to be almost anywhere! Add just a few more MICROgrip components and the MICROmount can support an on-camera light and monitor or even two monitors from the same support system.

Note: If your camera is not equipped with a 1/4"- 20 female thread to receive the MICROmount use a Hot Shoe Adapter. To adapt the MICROmount to the hot shoe adapter remove one of the 1/4"- 20 Pan Head Screws from one of the two rods and attach to the hot shoe adapter. It will be necessary to heat the rod to release the Lock-Tite material in order to remove the screw. A 3/8" to 1/4"- 20 adapter is also available if needed!

The possibilities are endless!

350609 | MICROmount Basic Kit | \$128.00



View Video Demonstration  @ www.msegrip.com



350627
NOGA ARMS by MATTHEWS
LARGE

350626
NOGA ARMS by MATTHEWS
MEDIUM

NOGA Arms by **matthews**

The new articulated, multi-jointed NOGA Arms by Matthews are the strongest and most versatile yet in the industry, offering many more features and benefits than their predecessor. The redefined NOGA Arms are larger, longer, tougher and stronger than any other extended three-joint articulated arm on the market.

NOGA Arms will hold smaller cameras, lights, monitors, props and other production accessories that require precise, extended positioning on set. With one simple turn, NOGA Arms instantly and simultaneously locks - or releases - the system's three articulated joints. Making it easy both to quickly position equipment or accessories and to modify the angle, skew or height of your fixtures in response to shot requirements.

With NOGA Arms - you set it... and forget it!

AVAILABLE IN TWO LENGTHS

350627

NOGA Arms by Matthews Large is 22" (55.8cm) long at full extension and will support a weight of 11 lbs. (5kg) at full extension.

\$184.00

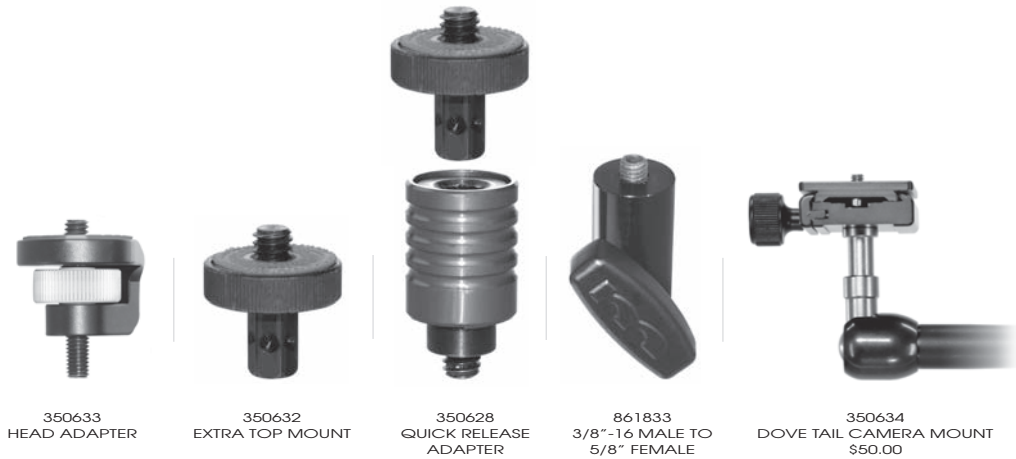
350626

NOGA Arms by Matthews Medium is 10.5" (26.6cm) long at full extension and will support a weight of 13.2 lbs. (6kg) at full extension.

\$174.00



NOGA Arms by Matthews offers some unique accessories to further complement its versatility.



Mount Options

This clever adapter allows you to make quick changes to your equipment without having to mess with screws and threads. In low light, tight spaces or no time to lose, pull back the red sleeve and drop your preloaded monitor, mic, light or whatever into the Quick Release adapter and you're ready to go to work. 1/4-20 top and bottom.

350628 | Quick Release | \$98.00

ALSO AVAILABLE

350629 | 1/4-20 Male Top and 1/4-20 Female Bottom | \$100.00

350632 | Extra Top Mount 1/4-20 Male | \$36.00

350634 | Dove Tail Camera Mount | \$51.00

861833 | Baby Adapter 5/8 Female to 3/8-16 Male | \$34.00

350633 Head Adapter. This small, compact adapter has been designed to allow simple and easy operation. Screw the bottom 1/4-20 male thread into the end of your NOGA Arms by Matthews and with just two fingers you can quickly and easily turn the non-slip wheel to add or remove your camera or accessories.

350633 | Head Adapter | \$62.00

NOGA Arms by Matthews are compatible with a wide range of other Matthews products including stands, clamps, vacuum cups, ball heads and other items. Let your imagination run free with NOGA Arms.



350627
LARGE ARM
USED WITH
6" SUCTION CUP
w/ 3/8" THREAD
6049/100

350626
MEDIUM ARM
USED WITH
ON-BOARD
MONITORS

350626
MEDIUM ARM
USED TO
ON-BOARD
LIGHTS

350617
MICROCLAMP
USED TO HOLD
PRODUCT

350620
ARM WITH QR ADAPTER
& TABLET MOUNT



Teflon coated, adjustable steel bracket with spring steel pressure points.



Universal Tablet Mount

The MUT...Mounts Most Breeds of Tablet or iPad®!

Whether you're on location, on set or at your desk, the Matthews Universal Tablet Mount or MUT provides a simple yet reliable mounting solution for your tablet or iPad® regardless of the model. The MUT allows Tablet or iPad users to mount their device with or without a protective case as it will adjust from 9" to 13" long and 1/8" to 3/4" thick.

The MUT affixes to most brands easily and provides maximum holding strength and reliability. Additionally, the MUT works with most standard mounting devices, as it comes with a 1/4-20 female threaded hole on the back of the bracket.

Available in 2016 Matthews will offer the new Universal Tablet Mount Plus developed specifically for the larger format Tablet.



350621 Master Kit
Used to Mount Tablet
Off of 1-1/4" Pipe



350620
Basic Kit
(1) MUT Bracket
w/locking knob
(1) 1/4- 20 to 5/8
Baby Pin
\$81.00



350622
Desk Kit
(1) MUT Bracket
w/locking knob
(1) Micro Grip Base
(1) Micro Grip Head
(1) Micro Grip Rod 4"
(1) Micro Grip Rod 6"
\$204.00



350621
Master Kit
(1) MUT Bracket
w/locking knob
(1) 10" Articulating Magic
Arm w/ removable shoe
(1) Micro Clamp
(1) Carrying Bag
\$255.00



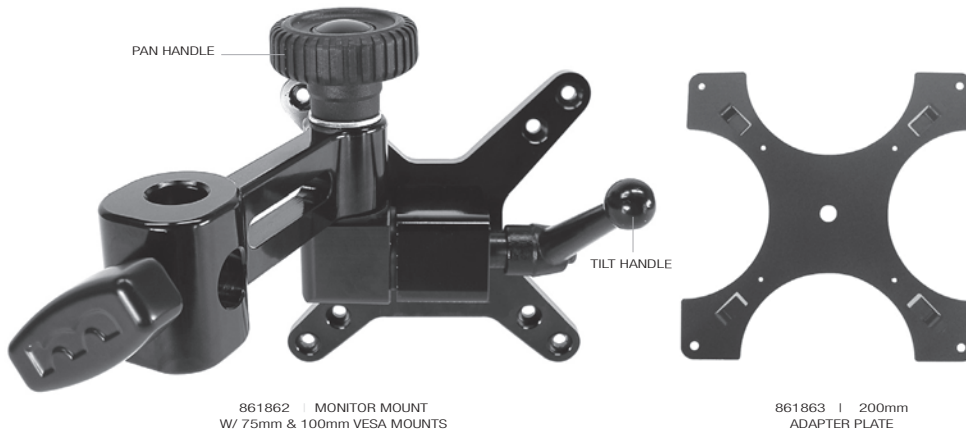
MUT used w/Male to
Female Receiver 350623,
Magic Finger 388210 &
Matthellini 420110



350623
1/4 - 20 Male to
5/8 Female Receiver
\$34.00



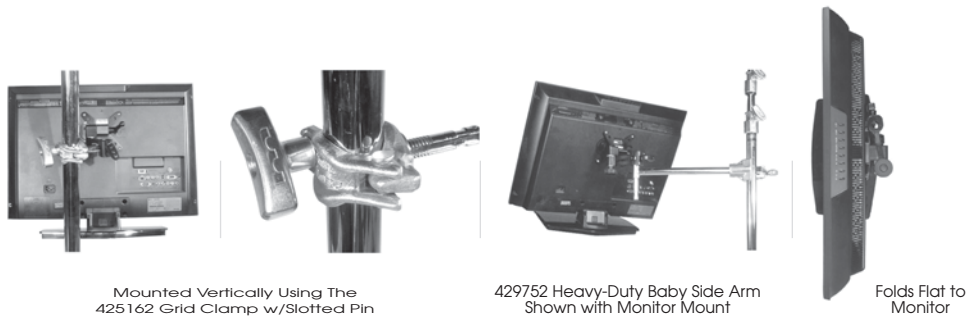
20027-10
1/4 - 5/8 Pin
\$13.00



Monitor Mount™ & Adapter Plate

CNC machined from 6061T-6 aluminum billet, Matthews now offers the strongest, most versatile and compact monitor mount available. Because it's not a casting, this mount will support any size monitor that does not exceed 65lbs. (30kg). Works with light stands, C-Stands, or any other mounting device with a 5/8" baby pin. Folds flat to monitor for storage and transportation. It can also be used with Matthews catalog #425162 Baby Grid Clamp for mounting to truss as shown below.

- 861862 | Matthews Monitor Mount | \$203.00
- 861863 | Matthews 200mm Adapter Plate for large monitors | \$53.00



Mounted Vertically Using The 425162 Grid Clamp w/Slotted Pin

429752 Heavy-Duty Baby Side Arm Shown with Monitor Mount

Folds Flat to Monitor

VIDEO DEMONSTRATION ON  OUR WEB SITE: WWW.MSEGRIP.COM



B119737 | K-STACKER
SHOWN ON 388201 RUNWAY BASE
(RUNWAY BASE NOT INCLUDED)

K-Stacker

The K-STACKER allows you to build up multiples of the production industry's most popular, professional, fluorescent fixtures into a wide variety of configurations easily, quickly and safely...

Strong and robust, the K-STACKER is constructed with a Junior Pin at one end and a Junior Receiver at the other end to allow stacking of multiple fixture supports. Multiple through holes that feature secure T-Handle locking allow for tight placement of fixtures on a single plane. Each K-STACKER will accommodate two fluorescent fixtures with 3/8" (9mm) mounting pins with the barn doors either folded back out of the way or to the front in normal operating position... with two K-STACKERS vertically mounted on a stand or base it is possible to place four 4 foot fluorescent fixtures vertically around the stand and create a center or "campfire" type light source.

Or for maximum power and mobility, build a "TOWER OF FLO POWER." Stack 2, 3 or even 4 K-STACKERS on a rolling base or stand, mount up to 8 four foot fixtures, hang the ballasts off the back end, tie everything into a simple power strip and with just a stinger to the power source you can easily move this compact, powerful light source almost anywhere... By simply rotating the mounting pin 90 degrees you can easily re-configure the K-STACKER from the horizontal to the vertical light fixture position mode... A "Pop Up" 5/8" (16mm) pin at the top of each K-STACKER lets you add even yet another small fixture into the lighting array...

B119737 | K-STACKER | \$140.00

Dimensions: Height 36" (92cm) | Weight 7 lbs. (3.2kg)



K-STACKER shown with four 4 foot horizontal light banks.



K-STACKER with two horizontal banks on Matthews 366066 Lo Boy COMBO Rolling Stand.



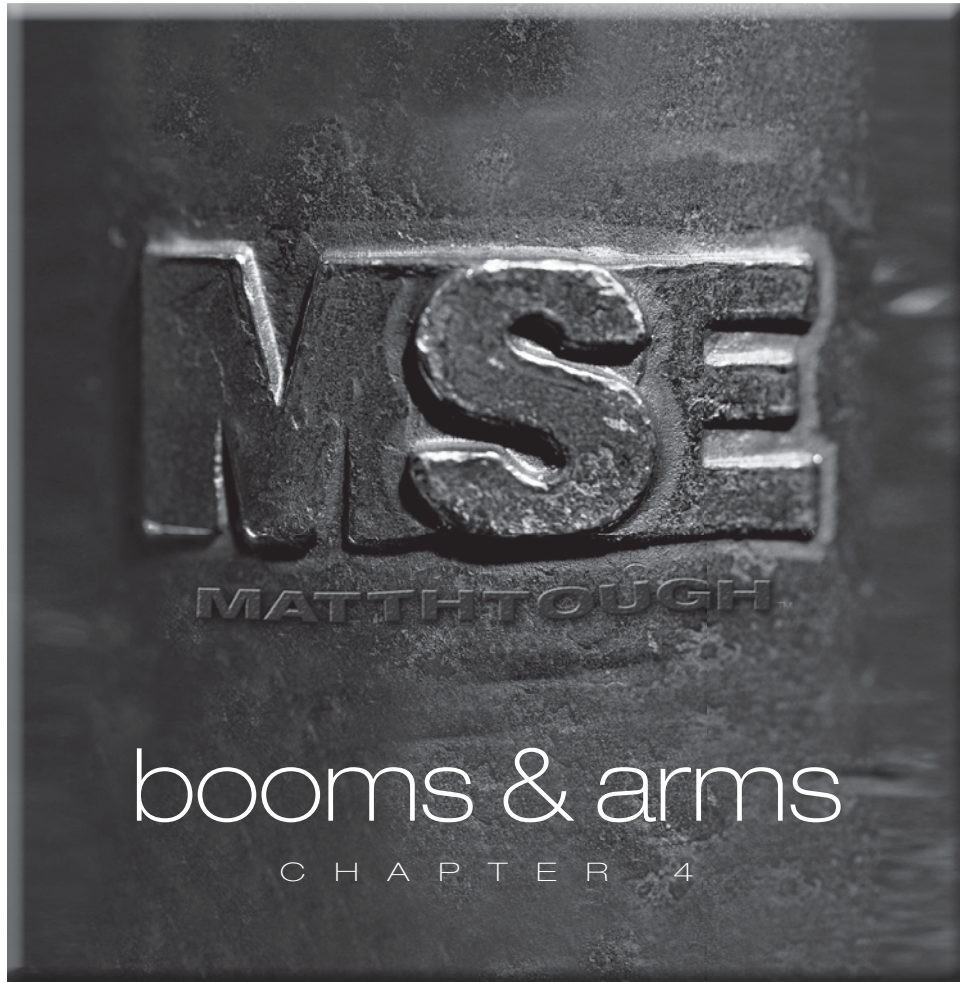
K-STACKER with two 4' vertical banks on Matthews 366066 Lo Boy COMBO Rollin Stand.



Two K-STACKERS with multiple horizontal banks on Matthews 388201 Runway Base.



K-STACKER with two banks horizontal to the floor on Matthews H.D. Telescoping Hanger.



*“...the Academy Award Winning MAX Menace Arm.
Technology That Complements Your Imagination —
‘nuff said!”*



Booms & Arms

Junior Boom

The largest and heaviest duty boom currently made by Matthews. The Junior Boom measures 68" (172cm) when fully collapsed and will extend to over 10 feet (300cm). The Junior Boom has a 25-pound (12kg) counterbalance weight attached and features the same tilt-locking and mounting mechanism found on the Baby Boom. Matthews #427805 Junior Drop Down can be used to keep light banks level.

427803 Junior Boom 41 \$450.00
 Extends from 68" (172cm) to 120" (300cm).

Mini Boom

Designed because of the growing demand for a boom that would not bend when an array of accessories were added to it, like small lighting fixtures or strobes, such as light banks, egg crates etc. Made completely out of steel, the Mini Boom mounts on a 5/8" Baby Pin and will extend over 80" (203cm), terminating in a 5/8" pin. A hook is provided at the rear end of the boom to accommodate a sandbag for balancing. The use of a Baby Drop Down #427804 will keep the lighting instrument level. Extends from 45" (115cm) to over 80" (203cm).

427802 Mini Boom 7.5 \$204.00
 B427802 Mini Boom — Black 7.5 204.00

We suggest that you use Matthews Boa Bags to counterweight the boom. See page 142 on Boa Bags.

Baby Boom

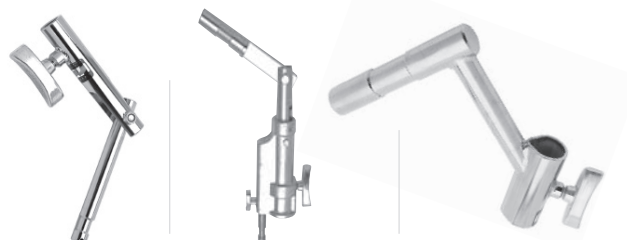
Similar in construction to the Mini Boom, this boom utilizes a much heavier duty tilt locking device and can be mounted on a stand with either a Junior Receiver or a Baby Pin.

427801 Baby Boom 11 \$287.00
 Extends from 45" (115cm) to over 80" (203cm).

Drop Downs

Drop Downs are most commonly used on Lighting Booms. The pivoting mount allows the use of a light box or other lighting instruments to maintain a horizontal position regardless of the angle of the boom. The 45° Angle Drop Down is primarily used with reflectors to allow their use at lower angles than most stands permit.

427804 Baby Drop Down 1.25 \$59.00
 427805 Junior Drop Down 4.75 111.00
 429688 Drop Down — 45° Angle 2.75 69.00



427804 | BABY DROP DOWN

427805 | JUNIOR DROP DOWN

429688 | 45° DROP DOWN

CAUTION:

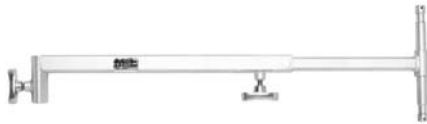
Any light boom that is not properly balanced is extremely dangerous on a set. When calculating the proper stand on which to attach the boom, be sure to include the amount of counterweight in addition to the lighting fixture and accessories being used.



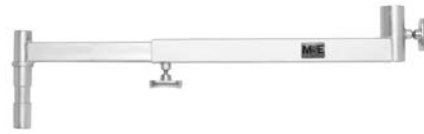
429100 | BABY OFFSET ARM



429045 | JUNIOR OFFSET ARM



430126 | HOLLYWOOD BABY OFFSET ARM



430127 | HOLLYWOOD JUNIOR OFFSET ARM



429751 | HEAVY-DUTY JUNIOR SIDE ARM



429752 | HEAVY-DUTY BABY SIDE ARM

Booms & Arms

Offset Arms

Offset Arms are a convenient tool when a lighting fixture needs to be placed off-center for the purpose of hiding the stand behind a set wall or coming over the top of the set. The Baby Extendable Offset Arm terminates in double 5/8" pins and the Junior Extendable Offset Arm terminates in a single 1-1/8" Junior Posi-V-Lock Receiver. Both extend from 18" to 25".

429100	Baby Offset Arm	1.75	\$117.00
429045	Junior Offset Arm	4	148.00
430126	Hollywood Extendable Baby Offset Arm	3.5	127.00
430127	Hollywood Junior Extendable Offset Arm	7	127.00

Side Arms

Side Arms can be clamped anywhere on the stand riser, allowing a light to be lowered to just above the legs and slightly offset, without the need for another stand. The Heavy Duty Side Arms utilize a special vice clamp and are made with heavier materials. In both cases, the Baby terminates in double 5/8" pins and the Junior in a single 1-1/8" Posi-V-Lock receiver.

CAUTION: When using a Side Arm, place a sandbag on the far leg with the same amount of weight as the light fixture. This will help prevent tipping of the stand.

429752	Heavy-Duty Baby Side Arm	2	\$118.00
429751	Heavy-Duty Junior Side Arm	2.5	122.00

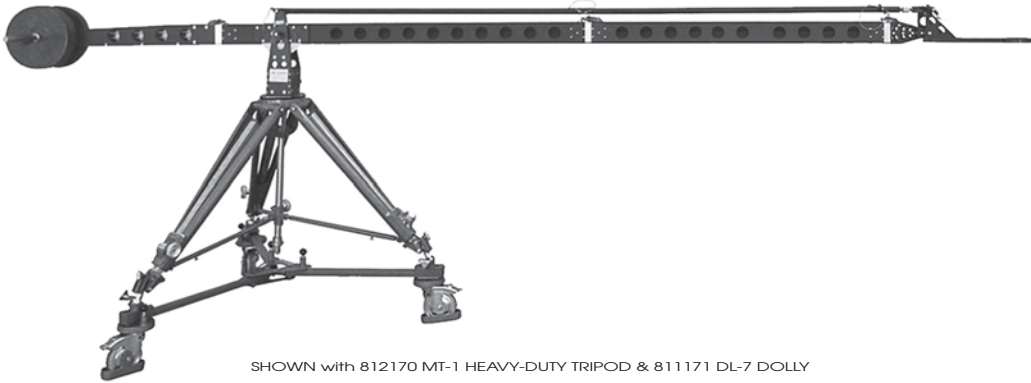
Heavy Duty Flag Clamp

Utilizing the same clamp as the Heavy Duty Side Arm, this device can be attached to a light stand riser, an overhead grid or even the yoke of a large light fixture. The arm extends 6", rotates 360° and terminates in a 2-1/2" Grip Head.

429850	Flag Clamp — Heavy Duty	4	\$164.00
--------	-------------------------	---	----------



429850 | HEAVY DUTY FLAG CLAMP



SHOWN with 812170 MT-1 HEAVY-DUTY TRIPOD & 811171 DL-7 DOLLY

Booms & Arms

Intel-A-Jib™

Exclusively Distributed by **Matthews Studio Equipment, Inc.**

Intel-A-Jib is a unique modular jib system that can go from zero to ten feet in two minutes without tools!

The Intel-A-Jib is manufactured using the latest techniques, processes and equipment, resulting in the superior quality for which Matthews equipment is known. Among the many features that differentiate the Intel-A-Jib from the competition is the one-piece X-Box Extrusion™ modular beam. This design element offers superior anti-deflection and anti-distortion of the arm. The Intel-A-Jib sets up in less than two minutes without any tools due to the innovative V-Lock™ component connector locking system. With extensions of either 10 or 6 feet in length, the Intel-A-Jib can accept virtually any camera package, expanding great image-making creativity. The Intel-A-Jib uses the internationally accepted Mitchell Mounting System to interface with the supporting tripod system and for camera mounting.

Matthews also offers many accessories designepand the jib arm's capability and functionality. Mounting the Intel-A-Jib to Matthews MT-1 Heavy-Duty Tripod and the DL-7 Dolly (sold separately) allows the operator to quickly and easily position the fixture thereby ensuring many more opportunities to capture that 'perfect' shot. If you'd like to see it in action — 'click' on Matthews web site at msegrp.com to view a few of many in-use photos.

377704 | Intel-A-Jib | Contact Matthews for Pricing.

Intel-A-Jib Accessories (not included)

- Travel Cases
- Mitchell to Claw Ball Adapters (100mm & 150mm)
- Mitchell to Elemac Adapters
- Mitchell to Elemac to Claw Ball Adapters (100mm & 150mm)
- Camera Risers
- Jib Control Handle (quick release)
- MT-1 Heavy-Duty Tripod
- DL-7 Dolly for MT-1 Tripod
- 4-Way Leveling Head
- Bangi for horizontal off-set camera positioning

Intel-A-Jib's innovative V-Lock Connector™ makes assembly and disassembly simple and fast, without wires or cables.



Intel-A-Jib's one-piece X-Box Extrusion offers superior anti-deflection and anti-torsion properties, resulting in a lightweight jib with a great load capacity, and smooth operation.



377711 | SMALL CASE



377712 | LARGE CASE

Booms & Arms Intel-A-Jib Accessories

Protect your investment! Matthews offers two specifically designed cases that have been created to allow you to store and transport the Intel-A-Jib from location to location in a safe and organized way. It will also enable your setup times to be consistently under two minutes! The Large Case has been designed to accept the Extension & Cable Kit.

377711 | Small Case | \$510.00 377712 | Large Case w/wheels | \$918.00



377708 |
Expanding
Handle
| \$339.00



The Expanding Handle securely locks into any of the holes along the beam for front end control of the jib's movement.



377709 |
Mitchell to 100mm
Low Profile, Bowl
Adapter | \$159.00



377710 |
Mitchell to Sachtler
Adapter | \$459.00



415063 |
Matthews 4-Way
Leveling Head
| \$1088.00

INTEL-A-JIB GENERAL SPECIFICATIONS*

<p>Min. Reach (From center of fulcrum pivot point, to center of 7" Mitchell mount).....6' (1.83 METERS)</p> <p>Max Reach (From center of fulcrum pivot point, to center of 7" Mitchell mount).....10' (3.10 METERS)</p> <p>Max Camera Package Load Capacity.....120 lbs. at 6' (54.43 Kg at 1.83 m) 80 lbs. at 10' (36.29 Kg at 3.10 m)</p> <p>Overall Assembled Length.....9' 7" at 6' (2.96 m at 1.83 m) 13' 8" at 10' (4.21 m at 3.10 m)</p>	<p>Weight at Full Extension (less counterbalance weight).....65 lbs. at 10' (28.48 Kg. at 3.10 m)</p> <p>Counterbalance Weight to Load Ratio.....1.8:1 at 6' (1.83 m) 3.0:1 at 10' (3.10 m)</p> <p>Camera Mount Options.....Over/Under 7" Mitchell (flat-base)</p> <p>Intel-A-Jib™ Mounting Requirements.....Dolly, tripod, or other, with 7" Mitchell mount (rated for weight of jib, camera package and counterbalance weight)</p>
---	--

*All specifications & features subject to change without notice.



377704-2 | INTEL-A-JIB EXTENSION KIT

Booms & Arms Intel-A-Jib Extension

The Intel-A-Jib Extension will add 3.5 feet (107cm) to the full extension resulting in a 13.5 foot (412cm) maximum operating radius. Aside from additional counterbalance weights, no other modifications are required to the jibs tailpiece when adding this new extension. Because of the exclusive X Box construction of the Intel-A-Jib, the extended version of the Intel-A-Jib will safely and securely accommodate a camera package of 40 pounds (18kg)

with minimal radial twisting and robust linear rigidity. The unique, X Box construction of the Intel-A-Jib allows for a full rigid extension of the jib arm without the need for cables, turnbuckles or other stabilizing devices that are both clumsy and time consuming in set up. Should you exceed the 40 pound (18kg) camera package limit recommendation cables are required to achieve maximum stability.

377704-2 | Intel-A-Jib Extension Kit | \$1224.00



377704-2 | Intel-A-Jib EXTENSION KIT includes:
(1) 3.5' (107cm) Arm, (1) Parallel Bar, (2) Aircraft Pins & (1) Anti-Sag Spacer



377704-30 | Intel-A-Jib CABLE SYSTEM | \$903.00



Mini MAX has a maximum operating arc of 105" (265cm) reaching a Maximum Height of 16' (489cm) to 3' (92cm) below ground level. Maximum Horizontal Extension is 9' (274cm).

B377701 | MINI MAX

Booms & Arms

Mini MAX™

Mini MAX is the smaller compact version of Matthews' very successful and very popular MAX. Like its larger counterpart, Mini MAX allows you to hang a fixture in places where no other lighting support system may go — either into a corner or flush to the wall — as there are neither rear rails nor pipes required for counterbalance. When the POV will not accommodate a stand or fixture placement, Mini MAX can 'fly' right in, making it possible to strategically place either a Key Light, Top Light or Back Light.

Mini MAX can support a 20lb. (9.1Kg) fixture 9ft.(274cm) high on a 9 ft. (274cm) horizontal extension. Mini MAX will operate on a 105" (265cm) maximum arc from 16 ft. (489cm) high to 3 ft. (92cm) below horizontal.

B377701 | Mini MAX | 44lbs (20kg) | \$1385.00

Camera Mount

Designed to affix to any stand or arm with a 5/8" pin, this camera mount offers an almost unlimited number of interesting angles.

B377702 | Camera Mount | 12lbs (5kg) | \$105.00



B377702 | CAMERA MOUNT

MiniMAX features 3 Rocky Mountain Legs for non-level terrain, stairs or curbs without the need for Apple Boxes.



VIDEO DEMONSTRATION @  WEB SITE: MSEGRIIP.COM



HOLLYWOOD KEY GRIP
MR. RICHARD MALL, CREATOR OF MAX

Booms & Arms

The Academy Award Winning MAX Menace Arm™

Over the past few years Matthews has shipped the MAX MENACE ARM to clients all over the world and we have received excellent reviews from Gaffers, Directors of Photography, Key Grips, rental houses, production companies and motion picture and television studios. Matthews Studio Equipment, along with MAX's creator Hollywood Key Grip Mr. Richard Mall, submitted MAX to The Motion Picture Academy of Arts and Sciences for consideration to be recognized for its highly regarded Technical Achievement Award (OSCAR) and MAX won...a very proud moment in Matthews history of providing Technology That Complements Your Imagination.

A prestigious award well deserved; MAX will support lighting fixtures up to 175 pounds (80Kg) allowing you to place almost any light almost anywhere on the set — back lights, over set walls and in places where lifts are restricted such as roof tops, balconies, etc. MAX will support a 75 pound (34Kg) light fixture up to 17.5 feet (533cm) on the horizontal and over 20 feet (609cm) in elevation. MAX's horizontal plane can be adjusted from 7-10 feet (213-305cm) and at an extension of 8 feet (244cm) has a capacity of 175 pounds (80Kg). MAX can be counterbalanced with either shot or sand bags and by using the standard weight plates MAX can be moved around easily on flat, level surfaces.

B377700 | MAX Menace Arm | Weight 215 lbs (98kg) | \$6630.00*

* ADDITIONAL CRATING CHARGE WILL BE ADDED TO PRICE SHOWN

MAX FACTS

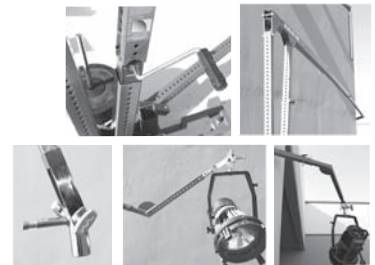
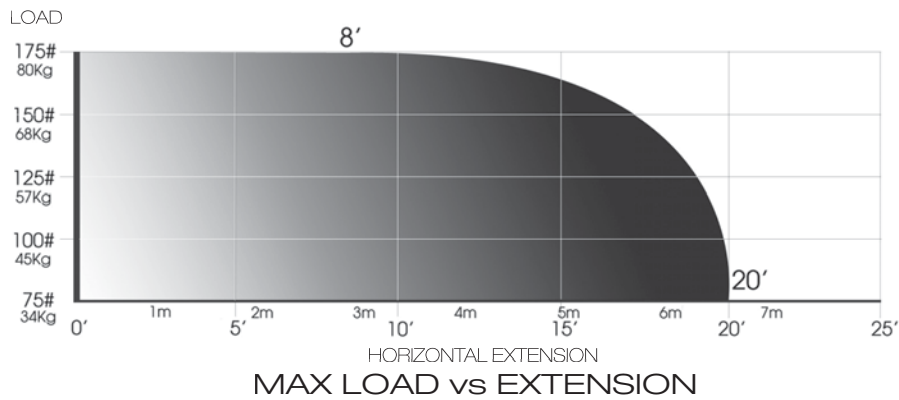
- MAX can be positioned flush against a wall, into or around a corner. • Self leveling head with Baby Pin and Junior Receiver.
- MAX works below the horizontal thus eliminating the need for scaffolding. • Easily movable at full extension on level surfaces.
- MAX can be positioned parallel up to a 10' (305cm) ceiling. • Angles are adjustable with light fixture attached.
- MAX at a height of 6'6" (199cm) goes through doorways. • Use for lights, flags, frames, branch holders or even cameras.
- 16' (487cm) extension w/o adapter. 17.5' (533cm) extension with adapter. • Fast & easy setup or tear down. • 3:1 weight ratio





Booms & Arms

The Academy Award Winning MAX Menace Arm



MAX is easy to store and transport with minimal footprint.

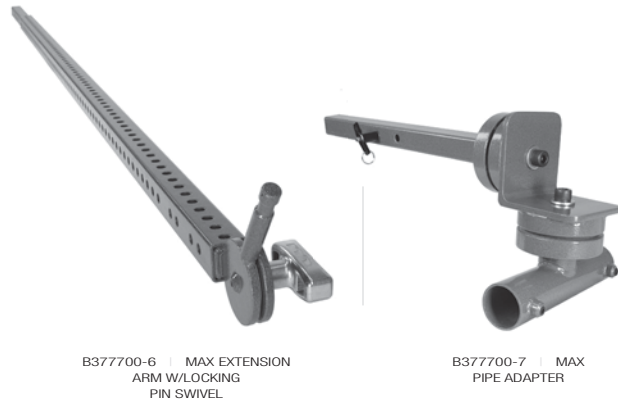


Reposition the chrome weight post from its storage position and add 25 lb. (12kg) weights to each side as required to counterbalance the load. Weights shown not included.

VIDEO DEMONSTRATION



@MSEGRIP.COM



B377700-6 | MAX EXTENSION
ARM W/LOCKING
PIN SWIVEL

B377700-7 | MAX
PIPE ADAPTER

Booms & Arms

MAX 720 Pipe Adapter & 6' Extension Arm

The MAX 720 Pipe Adapter and 6' Extension is designed to be used with standard 1-1/4 schedule 40 pipe. It accepts any length pipe and rotates 360 degrees in two opposite planes. Functions are unlimited and can be used for stretching MAX in reach, as well as horizontally for multiple fixtures and/or a key and fill light off the same rig. This adapter will also stretch MAX vertically for a higher degree of angle to the subject and/or positioning a light through a window. The 720 Pipe Adapter enables MAX to turn corners and can be used with the MAX Dropdown, enabling the user to – configure an unlimited degree of compound angles.

Caution must be taken to insure safe rigging and should only be performed by a qualified Grip. Proper use of weight distribution to evenly balance the pipe setup is of extreme importance and special attention must be paid to the counterbalance requirements and payload maximum recommended load.

B377700-6 | MAX 6' Extension Arm w/ Locking Swivel Pin | \$510.00

B377700-7 | MAX 720 Pipe Adapter | \$765.00



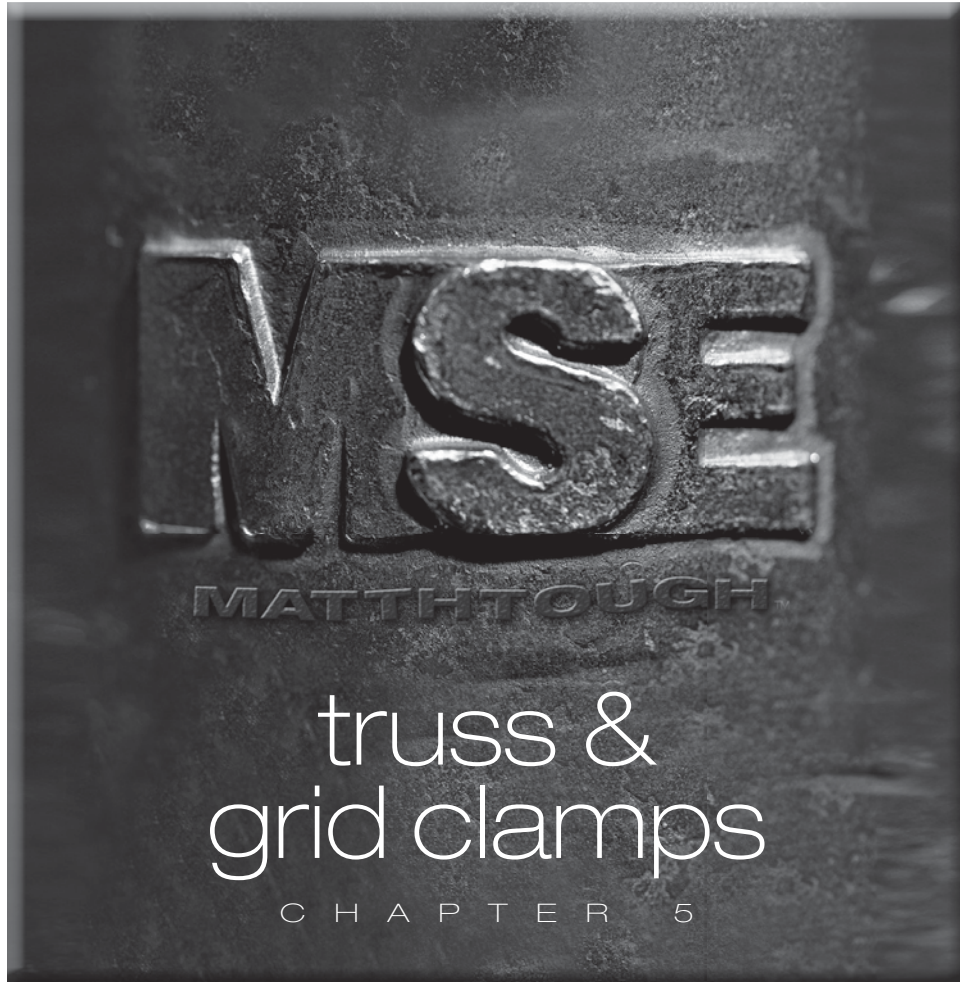
Mounted in the vertical position with dual florescent fixtures.



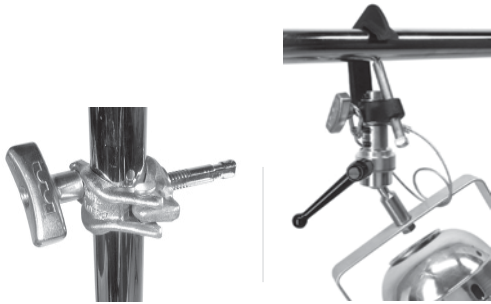
Speed rail pipe to wrap around corners.



Offset speed rail with proper counterbalance.



“...when properly used Matthews Hangers are the safest in the business.”



425162 | FLAT SIDE GRID CLAMP

429629 | JK CLAMP



429620 | BIG BEN CLAMP

425157 | BABY GRID CLAMP

Grip Hardware

Flat Side Grid Clamp

When you have to keep either a heavy or off-center light or monitor from rotating on the pin, the Flat Side Grid Clamp ensures a safe, positive-lock in either horizontal or vertical applications.

425162	Flat Side Grid Clamp	1	\$59.00
--------	----------------------	---	---------

JK Clamp

Designed for use with theatrical fixtures. Combines a pipe clamp and a Magic Finger. Allows fixture to hang plumb when hanging position is not horizontal to the floor or easy adjustment of the fixture into otherwise awkward positions.

429629	JK Clamp	4	\$156.00
6348-1/100	Safety Cable	.15	10.00

Big Ben Clamp

A “cheeseboro” clamp with a 1-1/8” pin attached to it serves multiple purposes. Use it with a piece of pipe with a diameter of 1-1/4” to 1-1/2” as a temporary overhead grid.

429620	Big Ben Clamp	3	\$70.00
--------	---------------	---	---------

Baby Grid Clamp – Little Ben Clamp

Made to clamp securely on overhead grids, car rigs or camera car rails for mounting light fixtures. The Baby Grid Clamp can also be inverted with the pin mounting into a Grip Head for spanning pipe between two stands. Clamp will grip a pipe having a minimum diameter of 1-1/4” (1.660) OD and a maximum diameter of 1-1/2” (1.990) OD.

425157	Baby Grid Clamp	2.27	\$59.00
--------	-----------------	------	---------



425160 | SWIVEL GRID CLAMP

425158 | JUNIOR GRID CLAMP



429618 | BABY PIPE CLAMP

429619 | JUNIOR PIPE CLAMP

Swivel Grid Clamp

Virtually unbreakable. When the ultimate in strength is required. Clamp will grip 1-1/4” pipe (1.660) OD minimum diameter, to a maximum of 1-1/2” pipe (1.990) OD.

425160	Swivel Grid Clamp	5	\$40.00
--------	-------------------	---	---------

Junior Grid Clamp

For mounting larger lighting fixtures securely to overhead grids, car rigs or camera car rails. Clamp will grip 1-1/4” pipe (1.660) OD minimum diameter, to a maximum of 1-1/2” pipe (1.990) OD.

425158	Junior Grid Clamp	3.25	\$65.00
--------	-------------------	------	---------

Pipe Clamps

Both the Baby Pipe Clamp and the Junior Pipe Clamp have a uniquely designed hook molded into the clamp, which keeps the clamp on the pipe even with a light fixture attached while the bolt is being tightened. The Baby Pipe Clamp terminates in a 5/8” Pin with a safety chain and cotter pin attached. The Junior Pipe Clamp of course terminates in a Junior Receiver and also has a safety chain.

429618	Baby Pipe Clamp	2.5	\$43.00
429619	Junior Pipe Clamp	3.5	67.00

TRUSS & GRID CLAMPS 5



B429720 | 1' TO 2' LIGHTWEIGHT TELESCOPING HANGER

LIGHTWEIGHT (L) & STANDARD HANGER (R)

LIGHTWEIGHT TELESCOPING HANGERS

STANDARD FITTING BOLT MOUNT (INCLUDED)

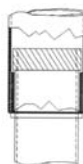
429779 | 5/8" BABY PIN W/3/8" THREAD

Hangers

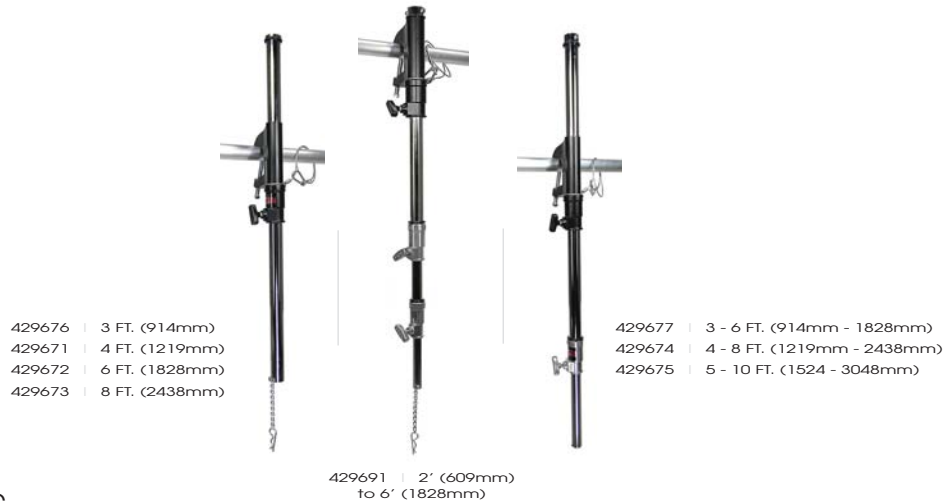
Lightweight Telescoping Hangers

Designed for use with lightweight fluorescents or other fixtures weighing no more than 25 lbs. (11.4kg.) Engineered to telescope from the grid with nominal ceiling clearance. Telescoping Hangers are available in a wide range of lengths and attachment options – for both temporary and permanent placement of lighting fixtures. Constructed of aluminum and cast aluminum fittings. Hanger will accept all pipe clamps currently being manufactured. Size and weight is less than 50% of conventional hangers. Hangers come standard with Bolt Mount.

B429720	1 to 2 Ft. (305-610mm) Lightweight Telescoping Hanger With Pipe Clamp	4.5	\$122.00	B429744	3 to 6 Ft. Lightweight Telescoping Hanger with Pipe Clamp and Stirrup Hanger	8.25	172.00
B429740	1 to 2 Ft. Lightweight Telescoping Hanger with Pipe Clamp and Stirrup Hanger	6.25	149.00	B429728	4 to 8 Ft. (1219-2438mm) Lightweight Telescoping Hanger With Pipe Clamp	8	149.00
B429726	1.5 to 3 Ft. (457-914mm) Lightweight Telescoping Hanger with Pipe Clamp	8.5	127.00	B429748	4 to 8 Ft. Lightweight Telescoping Hanger with Pipe Clamp and Stirrup Hanger	9.75	177.00
B429746	1.5 to 3 Ft. Lightweight Telescoping Hanger with Pipe Clamp and Stirrup Hanger	6.5	155.00	B429734	5 to 10 Ft. (1524-3048mm) Lightweight Telescoping Hanger with Pipe Clamp	9	156.00
B429722	2 to 4 Ft. (610-1220mm) Lightweight Telescoping Hanger With Pipe Clamp	5.5	138.00	B429754	5 to 10 Ft. Lightweight Telescoping Hanger with Pipe Clamp and Stirrup Hanger	10.75	183.00
B429742	2 to 4 Ft. Lightweight Telescoping Hanger with Pipe Clamp and Stirrup Clamp	7.25	166.00	429779	5/8" Baby Pin with 3/8" Thread.	.50	12.00
B429724	3 to 6 Ft. (914-1828mm) Lightweight Telescoping Hanger With Pipe Clamp	6.5	144.00				



Matthews Hangers are engineered with an internal mechanical stop, which will prohibit the Riser from falling through should the lock-off knob be inadvertently released. When properly used, Matthews Hangers are the safest in the business!

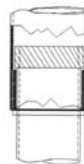


Hangers

Heavy Duty Telescoping Hangers

Telescoping Hangers have a very substantial pipe clamp to attach to a lighting grid. The pipe clamp has been slightly offset, to allow the riser or drop down tube to slide up when there is sufficient room between the grid and the ceiling. It is therefore possible for a 3' Single Extension Hanger to go from a few inches below the grid to the fully extended 3 feet. Matthews Telescoping Hangers are available in single stage and double stage. All terminate in 1/2"-13 female thread to permit the attachment of several hanging accessories listed below.

429676	Telescoping Hanger Single Extension 3 Ft. (914mm)	8	\$190.00	429675	Telescoping Hanger Double Extension 5 to 10 Ft. (1524mm - 3048mm)	15	\$304.00
429671	Telescoping Hanger Single Extension 4 Ft. (1219mm)	10	195.00	429691	Telescoping Hanger Triple Extension 2 to 6 Ft. (609mm - 1828mm)	16	241.00
429672	Telescoping Hanger Single Extension 6 Ft. (1828mm)	11.5	213.00	429612	Telescoping Hanger Stirrup	1.75	29.00
429673	Telescoping Hanger Single Extension 8 Ft. (2438mm)	14	225.00	429680	Telescoping Hanger Junior Receiver Adapter	1.5	65.00
429677	Telescoping Hanger Double Extension 3 to 6 Ft. (914mm - 1828mm)	14	259.00	429679	Telescoping Hanger 5/8" Male Pin Adapter	.50	13.00
429674	Telescoping Hanger Double Extension 4 to 8 Ft. (1219mm - 2438mm)	15	287.00	429681	Universal Hanger Adapter	2.5	82.00



Matthews Hangers are engineered with an internal mechanical stop, which will prohibit the Riser from falling through should the lock-off knob be inadvertently released. When properly used, Matthews Hangers are the safest in the business!



437003 | BASE
9-1/2" CENTER TO CENTER



437004 | 90°
PASS THROUGH



437002 | SPLICER



437001 | SPACER
9-1/2" CENTER TO CENTER

Truss Me System

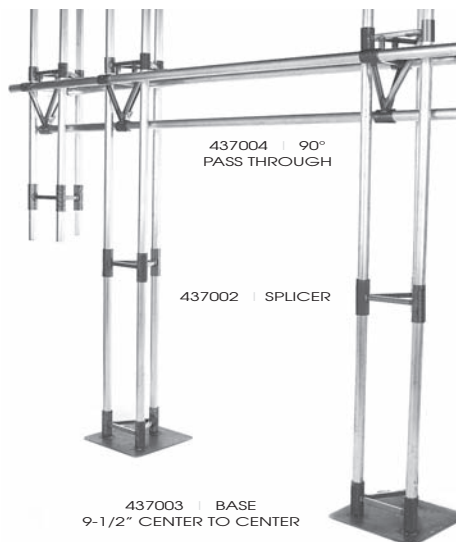
These brackets, in cooperation with random lengths or 1-1/4" aluminum or steel pipe, will make an immediate truss. Material selection for various types of pipe should be based on proper pay-load calculations. The Pass Through Bracket (9-1/2" center to center) will allow the vertical truss column to pass through the horizontal member, allowing for multiple horizontal members.

Custom colors and/or finishes are available upon request. The standard finish is flat black powder coat.

437001	Truss Me Bracket — Spacer	2.5	\$114.00
437002	Truss Me Bracket — Splicer	3.5	114.00
437003	Truss Me Bracket — Base	21.5	159.00
437004	Truss Me Bracket — 90° Pass Through	5.5	306.00



Pacific Coast Luggage Trade Show Booth
constructed using Matthews Truss Me System



437003 | BASE
9-1/2" CENTER TO CENTER

437002 | SPLICER

437004 | 90°
PASS THROUGH



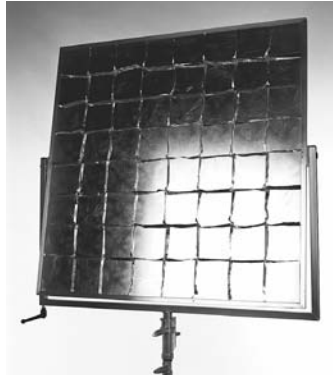
437002 | SPLICER

437001 | SPACER
9-1/2" CENTER TO CENTER

437002 | SPLICER



*“Matthews fabrics...the same lot to lot,
month to month & year to year. To be certain.”*



119070 | STANDARD 42" x 42" REFLECTOR /GOLD



119751 | XENO MIRROR REFLECTOR

Lighting Control

Reflectors

One of the oldest and still most popular means of lighting a set is to take a reflective surface and redirect sunlight or artificial light exactly where it is needed. The "hard" side of the Reflector will reflect the light almost exactly as it hits the board, while the "soft side" will soften the light as it redirects it.

Standard 42" x 42" Reflector

Matthews offers several different types of Reflectors. The standard Reflector measures 42"x42" and is made of honeycomb material sandwiched between two sheets of aircraft aluminum, which is then set into an aluminum frame. The frame is then mounted into a yoke which has a 1-1/8" pin to fit a Combo Stand and has a pivoting positive locking braking system. The Standard Reflector has shiny silver paper on the "hard" side and silver leaf squares on the "soft side." It is also available in gold.

119732*	Standard 42" x 42" Reflector with Yoke Brake — Silver	23.5	\$857.00
119070*	Standard 42" x 42" Reflector with Yoke Brake — Gold	23.5	857.00

* ADDITIONAL CRATING CHARGE WILL BE ADDED TO PRICE SHOWN. CANNOT BE SHIPPED BY UPS OR FEDEX. TRUCK SHIPPED ONLY.

Mirrored 42" x 42" Reflector

The Mirrored Reflectors are also 42" x42" and are similar to the Standard Reflectors with the exception of the surface, which is an actual glass mirror mounted with special brackets for easy changing. These Reflectors are most commonly used for reflecting HMI Par or Xenon light sources. There is also a Xeno mirrored surface available for higher temperature light sources. On both reflectors, the yokes have a brake in the pivot and are stand mounted via a 1-1/8" pin. Xeno mirrors are made for xenon light sources only and will not redirect sun light smoothly.

119752*	Mirror Reflector 42" x 42" with Yoke Brake	37.5	\$1087.00
119751*	Xeno Mirror Reflector 42" x 42" with Yoke Brake	47.5	1233.00
119753*	Reflector Frame 42" x 42" No Mirror	20	980.00

42" x 42" Reflector Scrim

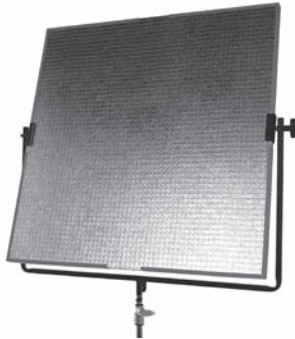
Elastic corners hold the Scrim in place when positioned over the Reflector.

119121	42" x 42" Single Reflector Scrim	1	\$ 97.00
119122	42" x 42" Double Reflector Scrim	1	116.00

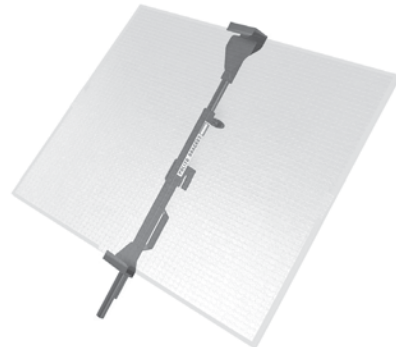
* ADDITIONAL CRATING CHARGE WILL BE ADDED TO PRICE SHOWN. CANNOT BE SHIPPED BY UPS OR FEDEX. TRUCK SHIPPED ONLY.



B119069 | ALUMINUM
HAND REFLECTOR



119728 | EXPENDABLE MATTHBOARD
SHOWN WITH B119738 OPTIONAL YOKE



B119736 | POLITO BRACKET

Lighting Control

Aluminum Hand Reflector

This 24" x 24" reflector has a yoke attached that terminates in a 5/8" receiver for mounting on a Baby Stand. The Aluminum Hand Reflector has a stippled silver paper on the "hard" side and shiny silver paper on the "soft side."

B119069	Aluminum Hand Reflector 24" x 24" with Black Yoke — Silver	6	\$219.00
B119069G	Aluminum Hand Reflector 24" x 24" with Black Yoke — Gold	6	219.00

Matthboards — Expendable Reflectors

These honeycomb Reflectors are 75% lighter in weight than the Standard Reflectors, measuring 40" x 40" and cost considerably less. Three different Reflectors are available. The Standard Matthboard features a "hard" side and a "soft" side. In addition, the Silver Fill Matthboard offers a "super soft" side and an "ultra soft" side. The "super soft" is made with a material available only from Matthews.

119726*	Expendable Matthboard 40" x 40" Standard — Silver	6	\$250.00
119728*	Expendable Matthboard 40" x 40" Fill — Silver	5	250.00

*CANNOT be shipped by either UPS or FedEx. Truck shipped only!

Pivoting Yoke for Matthboards

Positive lock-off yoke made to hold Expendable Reflectors. Gives the same feel and look as a conventional hard board yoke.

B119738	Pivoting Yoke for Matthboard Black	7	\$161.00
---------	------------------------------------	---	----------

Polito Bracket

Made to hold Expendable Reflectors or bead board and foam core, the Polito Bracket can be adjusted from 24" to 48". To further enhance its functionality, it has an ear for mounting a Grip Head or a ground spike and a handle.

B119736	Polito Bracket	5.5	\$203.00
---------	----------------	-----	----------



119124 | REFLECTOR BOX 42" X 42"

Lighting Control

Reflector Materials

Everything needed for repairs.

139034	Reflector Material Kit Includes 500 Sheets Silver Leaf, 50" Roll Silver Paper, 1 Can Adhesive, 1 Quart Gold Size	8.5	\$401.00
129033	Reflector Tool Kit Includes 1 Razor Blade Holder, 1 Brush, 1 Paper Smoother, 1 Roller, 1 Paste Brush	1	65.00
139092	Reflector Recover Material Gold Leaf 500 Sheets	1	207.00
139341	Reflector Recover Material Silver Leaf 500 Sheets	1	207.00
6059-1/100	Reflector Silver Paper - 26"x100', Minimum Order 100'	1	3.00/ft
6346-1/100	Reflector Gold Paper - 26"x100', Minimum Order 100'	1	3.00/ft
139344	Gold Size Paste	1	34.00
9023	Adhesive Spray	1	23.00

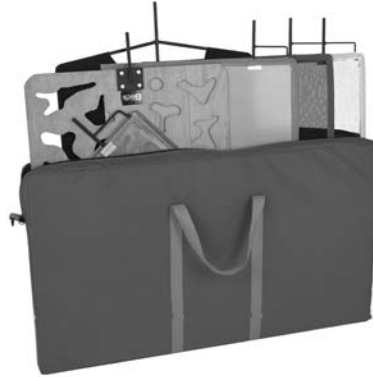
Reflector Boxes

Made of solid wood to protect Reflectors.

119054	Reflector Box 24" x 24" — 2 place	21	\$398.00
119055	Reflector Box 24" x 24" — 4 place	28	459.00
119123	Reflector Box 42" x 42" — 2 place	60	672.00
119124	Reflector Box 42" x 42" — 4 place	66.5	729.00



999012 | 18" X 24" LIGHTING CONTROL KIT



999013 | 24" X 36" LIGHTING CONTROL KIT

Lighting Control Kits

Light Duty Butterfly Kit

309108 Light Duty Butterfly Kit 35 \$1010.00

CONTENTS

- 1 B309071 6 x 6 Snap-A-Part Light Duty Frame
- 2 B387487 Light Heavy Double Riser Stands
- 2 B350580 Hollywood 2-1/2" Grip Heads
- 1 309084 6 x 6 Artificial Silk
- 1 719104 6 x 6 Black / White T55 Griffyflon
- 1 445389 Carrying Bag



309108 | 6' X 6' LIGHT DUTY BUTTERFLY KIT

Lighting Controls Kits

Lighting Control Carrying Bags are made of 1000 denier polyester fabric exterior shell with heavy duty zippered closure and carrying handles. The inside is lined with corrugated plastic to protect the contents and provide stiffness.

18" x 24" Lighting Control Kit

999012 Lighting Control Kit 17 \$612.00

CONTENTS

- 1 149066 18" x 24" Single Scrim — Black
- 1 149061 18" x 24" Double Scrim
- 1 149545 18" x 24" Artificial Silk
- 1 169059 18" x 24" Flag
- 1 199101 18" x 24" Cello Cucoloris
- 1 189093 18" x 24" Wood Cucoloris
- 1 309301 Carrying Bag

24" x 36" Lighting Control Kit

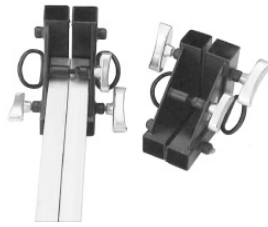
999013 Lighting Control Kit 23 \$816.00

CONTENTS

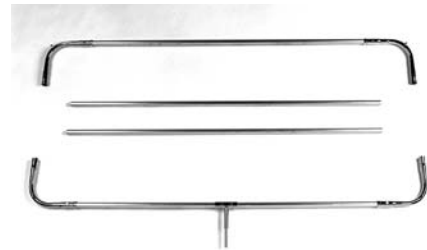
- 1 149063 24" x 36" Single Scrim — Black
- 1 149064 24" x 36" Double Scrim — Black
- 1 149566 24" x 36" Artificial Silk
- 1 169062 24" x 36" Flag
- 1 199102 24" x 36" Cello Cucoloris
- 1 189094 24" x 36" Wood Cucoloris
- 1 309302 Carrying Bag



409106 | HOLLYWOOD FRAME



HOLLYWOOD CORNERS



309079 | 6' x 6' FRAME

LIGHTING CONTROL 6

Lighting Control — Butterfly & Overhead Frames

All frames 8' x 8' and larger feature the 'Quick Reverse Ear' which will enable removal and reversal for quick 180° frame repositioning. Matthews offers a wide variety of materials to create your own custom Butterfly or Overhead.

Hollywood frames feature corners that contain tubes in a captive state, no more loose pieces that could be lost.
Another good idea made better!

6' x 6' Frames (183CM x 183CM)

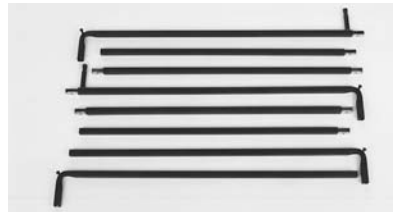
409106	6' x 6' Hollywood 1" square tubing	14	\$623.00
309079	6' x 6' Frame 1" round tubing	12	337.00
B309071	6' x 6' Snap-A-Part Light Duty Frame Black 3/4" square tubing	9	332.00
409201	6' x 6' QUIK Corner Frame w/sliding 5/8" Pin	15	589.00
409306	6' x 6' Snap-A-Part Frame 1" square tubing	12	816.00
409706	6' x 6' Snap-A-Part Frame Heavy Duty 1" square tubing	12	918.00

8' x 8' Frames (244CM x 244CM)

409108	8' x 8' Hollywood 1" square tubing	16	\$698.00
319413	8' x 8' Frame 1" round tubing	12	561.00
409202	8' x 8' QUIK Corner Frame w/Ears (2)	21	787.00
409207	8' x 8' Snap-A-Part Frame w/QUIK Corners (set of 4)	26	922.00
409308	8' x 8' Snap-A-Part Frame 1" square tubing	16	842.00
409708	8' x 8' Snap-A-Part Frame Heavy Duty 1" square tubing	20	1046.00



QUIK-CORNER
ASSEMBLY



B309071 | 6' x 6' SNAP-A-PART
LIGHT DUTY FRAME



409306 | 6' x 6' SNAP-A-PART FRAME



Lighting Control — Butterfly & Overhead Frames

12' x 12' Frames (366CM x 366CM)

409112	12' x 12' Frame 1" square tubing	23	\$867.00
319078	12' x 12' Frame 1" round tubing	13	612.00
409312	12' x 12' Snap-A-Part Frame 1" square tubing	21	1071.00
409712	12' x 12' Snap-A-Part Frame Heavy Duty 1" square tubing	25	1133.00

20' x 20' Frames (610CM x 610CM)

409520	20' x 20' Frame 1-1/4" square tubing	60	\$1400.00
319604	20' x 20' Frame 1-1/4" Sch. 40 pipe	60	1275.00
319600	20' x 20' Deluxe Frame	60	2040.00

Deluxe frame requires only 2 stands for support.



409312 | 12'x12' SNAP-A-PART FRAME



319604 | 20'x20' FRAME



319600 | 20'x20' DELUXE FRAME



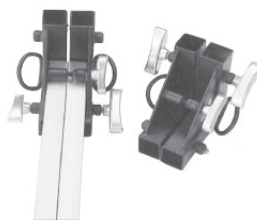
SNAP-A-PART CONNECTOR USED ON
409306, 409308 & 409312



409100 | CORNER FOR 1" ROUND TUBE - BLACK



319640 | CORNER FOR 1-1/4" ID (1.75" OD) PIPE - BLACK
USE 319647 FOR 1-1/2" ID (2" OD) PIPE



409003 | HOLLYWOOD CORNERS - ORANGE



409100-1 | CORNER FOR 1" SQUARE TUBE - BLACK USE 409500-1 FOR 1-1/4" TUBE



319550 | CONNECTOR FOR 1-1/4" PIPE - BLACK



319551 | CONNECTOR FOR 1" SQUARE TUBE - BLACK



319552 | CONNECTOR FOR 1-1/2" PIPE - BLACK



409000 | PIN FOR 1" ROUND TUBE - BLACK

LIGHTING CONTROL 6

Lighting Control — Corners, Connectors, Ears, & Hangers

Matthews offers a wide variety of Corners, Connectors, Ears and Pins to create your own Overhead Frame on the go.

409001	Corner for 1" Round Tube	1.5	\$40.00
409100-1	Corner for 1" Square Tube	2	55.00
409500-1	Corner for 1-1/4" Square Tube	2.25	55.00
409003	Hollywood Corners — Set of 4*	8	255.00
409200	QUIK Corners — Set of 4	2	287.00
319640	Corner for 1-1/4" Pipe	2	67.00
319647	Corner for 1-1/2" Pipe	2.25	67.00
319551	Connector for 1" Square Tube	2	37.00
319550	Connector for 1-1/4" Pipe	2	37.00
319552	Connector for 1-1/2" Pipe	2.25	37.00

B429616	Hollywood Hanger for 1" Round Tube and 1-1/4" Pipe — Black	4	\$47.00
409000	Pin for 1" Round Tube	2	34.00
409209	QUIK Reverse 5/8" Pin for 1" Square Tube — Black	2.5	102.00
409500-3	Ear for 1-1/4" Square Tube	2.25	102.00
319651	Ear for 1-1/4" Pipe	4	62.00
319642	Ear for 1-1/2" Pipe	5	69.00

*Each Hollywood Corner is gusseted for maximum strength. There is no need for cumbersome tie straps. The corners contain all tubes in a captive state with no more loose pieces that could be lost or damaged.



409209 | QUIK REVERSE 5/8" PIN FOR 1" SQUARE TUBE - BLACK



B429616 | HOLLYWOOD HANGER - BLACK



319651 | EAR FOR 1-1/4" PIPE - BLACK



319642 | EAR FOR 1-1/2" PIPE - BLACK



409216 | SQUARE QUIK REVERSE BACKDROP EAR



409525 | BACKDROP EAR WITH ROUND CONNECTOR



409100-3 | QUICK REVERSE EAR FOR 1" SQUARE TUBE - BLACK USE 409500-3 FOR 1-1/4" TUBE

Lighting Control — Corners, Connectors, Ears, & Hangers

Backdrop Ears™

If you're wasting valuable time trying to remove those *%#@! wrinkles from your backdrop fabrics — read this!

Well, Matthews has just the solution that all but permanently eliminates the wrinkling problem associated with the standard style ears — Matthews Backdrop Ears. By extending the 409525 Backdrop Ear Round Connector and the 409216 Square QUIK Reverse Backdrop Ear away from the Grip Head through a series of extensions and well designed bends, Matthews has achieved what was virtually impossible to accomplish using the older style ears when hanging lighting control fabrics. Backdrop Ears are available in black only but come in two styles — square and round.

Now what are you going to do with all the time you just saved?

PATENT PENDING.

409525	Backdrop Ear w/1-1/4" Pipe Connector — Black	2	\$82.00
409526	Backdrop Ear w/1-1/2" Pipe — Black	2	82.00
409527	Backdrop Ear for 1" Speed Rail — Black	2	82.00
409216	Square QUIK Reverse Backdrop Ear — Black	2	123.00



WRINKLE PROBLEM SOLVED!

Quick Reverse Ear for 1" Square Tube

Matthews 'Quick Reverse Ears' are the strongest, most versatile way of suspending an overhead frame and they are available only from Matthews. The ears are guaranteed to provide a fast and efficient way to flip the frame allowing

two rags to be tied off to the frame, one on either side. Flip from bounce to black or any other combination.

409100-3	Quick Reverse Ear for 1" Square Tube	2	\$100.00
----------	--------------------------------------	---	----------

Lighting Control

Fabric Consistency

In order to ensure that lighting characteristics are consistent from one year to the next, Matthews Studio Equipment always purchases fabrics from the same supplier – not the cheapest...

You can be certain that the light transmission and reflectance values of the sewing products offered by Matthews will be the same from lot to lot, month to month and year to year...

Fabric Specifications

The following pages include fabric specifications for the majority of Matthews Textiles, including definitions as to their primary use. Should you have any question regarding our textiles please contact your Matthews Account Manager at 1.818.843.6715.



BOBINETT:

Single, Double, Black, White, and Lavender Matthews nets come with varying properties. Black Bobinett in its single form will reduce light intensity without changing the color temperature of your shoot, with twice that as a double. White Bobinett will reduce the direct light in your shoot and soften that effect by introducing ambient bounce, with again twice that effect as a double. Both White and Black Bobinett are treated to be flame retardant, and the doubles are sewn by the industry technique to eliminate a moiré pattern that may adversely affect your shot. Available in almost any size you want and can be purchased by the yard.

Matthews Bobinett: you name it — we've got it!

FABRIC	FABRIC WIDTH	APPROX LIGHT LOSS	WEBBING COLOR	SAFETY	PRIMARY USE
Single Scrim-Black	24'	0.6 Stops	Green	Flame Retardant	Reduction of light intensity without changing pattern or color temperature
Single Scrim-White	24'	0.5 Stops	White	Flame Retardant	Reduction of direct light, but softens effect by introducing ambient bounce
Double Scrim-Black	24'	1.2 Stops	Red	Flame Retardant	Greater reduction of light intensity without changing pattern or color temperature
Double Scrim-White	24'	1.0 Stops	White	Flame Retardant	Greater reduction of direct light, but softens effect by introducing ambient bounce
Triple Scrim-Black	24'	1.8 Stops	Blue	Flame Retardant	Greatest reduction of light intensity without changing pattern or color temperature. Could project a moiré pattern

Lighting Control

Fabric Specifications



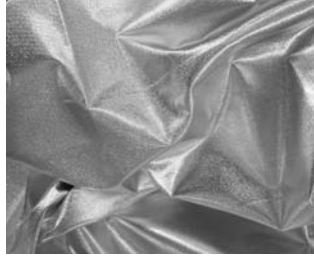
SILKS:

Matthews offers three types of silk in both White and Black: Artificial Silk, China Silk, and 1/4 Stop Silk. While the properties of each vary, they all have essentially the same purpose, which is to be used for medium diffusion at varying degrees. White Artificial Silk offers the most diffusion at a light loss of 1.6 stops with a significant amount of ambient bounce (its counter, Black Silk offers no ambient bounce). China Silk is 1 stop light loss and 1/4 Stop Silk is about 0.6 stops light loss. The safety characteristics of each of these silks vary per the table below. Available in any size you want and can be purchased by the yard.

FABRIC	FABRIC WIDTH	APPROX LIGHT LOSS	WEBBING COLOR	SAFETY	PRIMARY USE
Silk (Artificial)-White	60"	1.6 Stops	Gold	Flame Retardant	Softens and diffuses direct light and introduces a significant amount of ambient bounce
Silk (Artificial)-Black	60"	1.8 Stops	Black	Flame Retardant	Softens and diffuses direct light without introducing ambient bounce
1/4 Stop Silk-White	118"	0.6 Stops	White	Self Extinguishing	Slightly softens and diffuses light, without much reduction of light intensity. Introduces a significant amount of ambient bounce
1/4 Stop Silk-Black	118"	0.7 Stops	Black	Self Extinguishing	Slightly softens and diffuses light. Does not introduce ambient bounce
China Silk - White	54"	1.0 Stops	White	Not Treated	Softens light without a great reduction of intensity. Introduces a significant amount bounce
China Silk - Black	54"	1.0 Stops	Black	Not Treated	Softens light without a great reduction of intensity

Lighting Control

Fabric Specifications



LAME:

The Matthews Lames are ultra soft reflectors treated to be a self-extinguishing fabric that will give you a subtle reflective bounce. While both fabrics brighten your shot without being harsh, gold lames will give you a warmer effect. Lames are also available in a checkerboard pattern which offers the benefit of the punch of silver fabric along with the warmth of the gold. Available in any size you want and can be purchased by the yard.

GRID CLOTH:

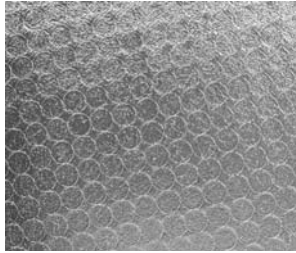
Matthews offers three types of Grid Cloths from standard Grid Cloth to Lite to 1/4, and of course, Silent Grid Cloth to Silent Lite to Silent 1/4. Many users will prefer to use Silent Grid Cloth outside on a windy day to cut down extraneous noise. Matthews Grid Cloths are available in 54" width fabric and are treated to be self-extinguishing. Available in any size you want and can be purchased by the yard.

LIGHTING CONTROL 6

FABRIC	FABRIC WIDTH	APPROX LIGHT LOSS	WEBBING COLOR	SAFETY	PRIMARY USE
Silver Lame	54"	N/A	White	Self Extinguishing	Ultra soft reflector
Gold Lame	54"	N/A	White	Self Extinguishing	Ultra soft reflector with warming effect
Checkerboard Lame	N/A	N/A	White	Self Extinguishing	A soft reflector in a Silver & Gold checkerboard pattern, which adds a slight warming effect to the reflected light
Grid Cloth	54"	2.6 Stops	White	Self Extinguishing	Heavy diffusion of light — Introduces a considerable amount of ambient bounce
Light Grid Cloth	54"	2.0 Stops	White	Self Extinguishing	Medium diffusion of light — Introduces a considerable amount of ambient bounce

Lighting Control

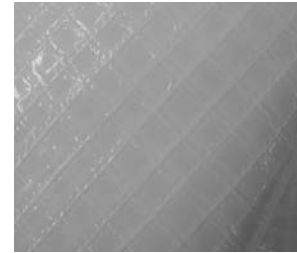
Fabric Specifications



MATTHFLECTOR:
Matthflectors are similar to both Grifflectors and Lames in that they will give you a reflective bounce, however, the effect is not subtle. Silver Matthflectors will provide a hard reflection. Available in any size you want and can be purchased by the yard.



MUSLINS:
Muslins come both in Bleached and Unbleached and in the case of 12'x12' through 20'x20' sizes, you can purchase an OVERHEAD/BUTTERFLY with or without seams. A BLEACH MUSLIN is a flat reflector whereas an UNBLEACHED MUSLIN is a warm white reflector. Both can be used for bouncing a soft light or as a very soft diffusion type of textile. Available in any size you want and can be purchased either by the yard.



GRIFFOLYN:
Don't be fooled by our competitor's products! Matthews is the only company in the industry to carry Griffolyn approved by the inventor of the diffusion. It comes in three combinations of black and white to give you either soft, shiny, or flat reflection. See below for the types and properties of each. Available in any size you want and can be purchased either by the yard or the square foot.

FABRIC	FABRIC WIDTH	APPROX LIGHT LOSS	WEBBING COLOR	SAFETY	PRIMARY USE
Silver Matthflector	54"	N/A	White	Not Treated	Hard Reflector
Bleached Muslin	108"-204"	N/A	White	Flame Retardent	Flat white reflector — can also be used for heavy diffusion of light
Unbleached Muslin	108"-204"	N/A	White	Flame Retardent	Warm white reflector — can also be used for heavy diffusion of light
Griffolyn - Black/White T55	12'-20'	N/A	White	Not Treated	Shiny white reflector on one side, shiny black on the other
Griffolyn - Black/White T90	12'-20'	N/A	White	Not Treated	Soft white reflector on one side, flat black on the other
Griffolyn - White/White T55	12'-20'	N/A	White	Not Treated	Flat white reflector on both sides

Lighting Control

Fabric Specifications



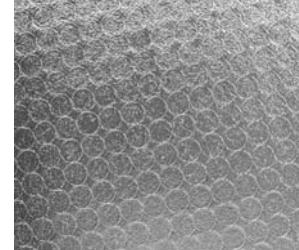
SILENT FROSTS & HI-LITES:

Silent Frosts will give you a soft, slightly diffused light with no ambient bounce, creating a light soft glow that's perfect for outside shoots as it is virtually noiseless in the wind and holds its properties even in wet weather. Matthews Hi-Lites are the best in the business, giving you soft diffusion similar to Silent Frosts yet with the option of being either welded or sewn. Both of these products are available in any size you want and can be purchased by the yard.



CHROMAKEY & DIGITAL BLUE/ GREEN SCREEN:

Chromakey and Digital Blue and Green Screens are what make up our new Blue/Green Screen products. Purchased separately with the black foam backing that eradicates nearly all light leakage. Matthews customers may also purchase Blue/Green Screen back-to-back for double the use as well as blue or green single-sided screens in either Chromakey or Digital. Available in any size you want and can be purchased by the yard.



GRIFFLECTOR:

Similar to Lames, Grifflectors are also soft reflectors just not quite as soft.

Available in any size you want and can be purchased either by the yard.

LIGHTING CONTROL 6

FABRIC	FABRIC WIDTH	APPROX LIGHT LOSS	WEBBING COLOR	SAFETY	PRIMARY USE
Hi-Lite Silent Frost	55"	N/A	White	Flame Retardent	Slightly diffuse light, no ambient bounce and does not create any wind noise
Silent Frost	48"	N/A	White	Flame Retardent	Slightly diffuse light, no ambient bounce and does not create any wind noise
Blue Screen	60"	N/A	Blue	Not Treated	Used for Chromakey/Digital background
Green Screen	60"	N/A	Green	Not Treated	Used for Chromakey/Digital background
Silver Grifflector	54"	N/A	White	Not Treated	Soft Reflector

"Blue/Green Screens that don't bleed and never cry."



Lighting Control

Fabric Specifications



MATTHBOUNCE:
Matthbounce is a dual fabric that will give you a soft, even bounce on the white side with no hot spot, and as a counter to that a flat non-reflective back side. Like many of our other textile products. Matthbounce is treated with a flame retardent for safer use and is available in any size you want and can be purchased by the yard.



SOLIDS:
The Solid, also known as Duvetyne, is the heaviest fabric offered and will give you 100% total light loss, impenetrable by unwanted light. Treated to be flame retardant as are many of Matthews TEXTILES, solids are available in any size you want and can be purchased by the yard.



LIGHTBOX DIFFUSION:
Matthews also provides lightbox diffusion for those instances requiring even diffusion. Available in any size you require and can be purchased by the yard.

WET SOLIDS:
Matthews Wet Solid Fabric will not only block out the light, it will also protect your talent and equipment from the elements. Sewn to all standard sizes as well as custom sizes.

FABRIC	FABRIC WIDTH	APPROX LIGHT LOSS	WEBBING COLOR	SAFETY	PRIMARY USE
Matthbounce	60"	N/A	White	Flame Retardent	Soft bounce on the white side with a flat non-reflective black side
Solid	54"	100%	Black	Flame Retardent	Blocks 100% of the light
Wet Solids	54"	100%	Black	Flame Retardent	Blocks 100% of the light
Lightbox Diffusion	58"	N/A	Yellow	Not Treated	Broad even diffusion



309606 | MATTHFLECTOR



12' x 12' OVERHEAD



SILVER MATTHFLECTOR
USED TO LIGHT INTERIOR OF TRUCK

Lighting Control

Overheads & Butterflies

6' x 6' (183CM x 183CM)

309081*	6' x 6' Single Scrim— Black	1	\$168.00
309609**	6' x 6' Single Scrim — White	1	271.00
309082*	6' x 6' Double Scrim— Black	1.25	266.00
309085**	6' x 6' Double Scrim — White	1.25	488.00
309084*	6' x 6' Artificial Silk — White	1	129.00
B309084	6' x 6' Artificial Silk — Black	1	129.00
309083*	6' x 6' Solid	3.5	127.00
319910	6' x 6' Water Black/Wet Solids	3.5	143.00
319800	6' x 6' White Solid	3.5	141.00
309610	6' x 6' 1/4 Stop Silk— White	1	127.00
B309610	6' x 6' 1/4 Stop Silk — Black	1	127.00
309605	6' x 6' China Silk — White	.75	184.00
B309605	6' x 6' China Silk — Black	.75	184.00
309603	6' x 6' Gridcloth	.75	143.00
309604	6' x 6' Gridcloth Lite	.50	143.00
309665	6' x 6' Gridcloth 1/4	.50	143.00
319785	6' x 6' Silent Gridcloth	.50	143.00
319784	6' x 6' Silent Gridcloth Lite	.50	143.00
319149	6' x 6' Silent Gridcloth 1/4	.50	143.00
309100	6' x 6' Lame — Silver	1	230.00
309101	6' x 6' Lame — Gold	1	230.00
570003	6' x 6' Griffector— Silver	4.75	286.00
309606	6' x 6' Matthflector — Silver	4	195.00
719104	6' x 6' Griff — Black / White T55	1.5	102.00
719671	6' x 6' Griff — White / White T55	1.5	116.00
719706	6' x 6' Griff — Black / White T90	2.5	179.00
309618	6' x 6' Bleached Muslin	1.75	127.00
309623	6' x 6' Unbleached Muslin	2	127.00
309114	6' x 6' Blue Screen — Chromakey	5	195.00
309115	6' x 6' Green Screen — Chromakey	5	195.00

319162	6' x 6' Blue/Green — Chromakey	5	\$287.00
319828	6' x 6' Blue Screen — Digital	5	204.00
319794	6' x 6' Green Screen — Digital	5	204.00
319617	6' x 6' Blue/Green — Digital	5	296.00
309131	6' x 6' Checkerboard Lamé	1.25	470.00
	Each Square Individually Sewn		
319759	6' x 6' Light Box Diffusion	1	143.00
319706	6' x 6' Hi Lights (welded)	3	436.00
319009	6' x 6' MatthBounce	1	156.00
319743	6' x 6' Silent Frost (welded)	1	316.00
319021	6' x 6' Hi Lights (sewn)	1	276.00
319022	6' x 6' Silent Frost (sewn)	1	230.00
309080	6' x 6' Overhead Set	20	957.00

* Included in 6 x 6 Butterfly Set. Also included: 1 Rag Bag, 1 Frame.
** Subject to material availability and market price at time of purchase.

8' x 8' (244CM x 244CM)

319400*	8' x 8' Single Scrim — Black	1.25	\$259.00
319407**	8' x 8' White Single — White	1.25	458.00
319401*	8' x 8' Double Scrim — Black	1.75	401.00
319408**	8' x 8' White Double — White	1.75	836.00
319403*	8' x 8' Artificial Silk — White	1.5	159.00
B319403	8' x 8' Artificial Silk — Black	1.5	159.00
319402	8' x 8' Solid*	6	164.00
319911	8' x 8' Water Black / Wet Solids	18	215.00
319801	8' x 8' White Solid	6	225.00

* Included in 8' x 8' Butterfly Set. Also included: 1 Storage Bag, 1 Frame
** Subject to material availability and market price at time of purchase.

LIGHT LOSS CALCULATIONS SEE FABRIC SPECIFICATIONS PAGE 114 TO 119.

All fabrics were tested in a black chamber with an incandescent light source at one end and the fabric positioned 2/3 of the way between the source and the digital light meter.

CUSTOM SIZES AVAILABLE



319414 | 8' x 8' BUTTERFLY SET

Lighting Control

Overheads & Butterflies

8' x 8' (244CM x 244CM)

319405	8' x 8' 1/4 Stop Silk	1.25	\$190.00
B319405	8' x 8' 1/4 Stop Silk — Black	1.25	190.00
319404	8' x 8' China Silk	1.25	281.00
B319404	8' x 8' China Silk — Black	1.25	281.00
309614	8' x 8' Gridcloth	1.25	230.00
309616	8' x 8' Gridcloth Lite	1	230.00
309666	8' x 8' Gridcloth 1/4	1.25	230.00
319820	8' x 8' Silent Gridcloth	1.25	230.00
319119	8' x 8' Silent Gridcloth Lite	1.25	230.00
319148	8' x 8' Silent Gridcloth 1/4	1.25	230.00
309102	8' x 8' Lame — Silver	1.5	327.00
309103	8' x 8' Lame — Gold	1.5	327.00
570012	8' x 8' Grifflector— Silver	8.75	390.00
309629	8' x 8' Silver Matthflector	11	362.00
319406	8' x 8' Griffolyn — Black / White T55	2.5	164.00
719114	8' x 8' Griff— White/White	3	184.00
719108	8' x 8' Griffolyn — Black / White T90	4.5	225.00
319010	8' x 8' MatthBounce	1.5	230.00
309619	8' x 8' Bleached Muslin	3	173.00
309624	8' x 8' Unbleached Muslin	3	173.00
309132	8' x 8' Checkerboard Lamé Each Square Individually Sewn	1.75	663.00
319436	8' x 8' Blue Screen — Chromakey	3.75	310.00
319437	8' x 8' Green Screen — Chromakey	3.75	310.00
319161	8' x 8' Blue/Green — Chromakey	7	401.00
319829	8' x 8' Blue Screen — Digital	3.75	319.00
319790	8' x 8' Green Screen — Digital	3.75	319.00
319165	8' x 8' Blue/Green — Digital	7	408.00
319761	8' x 8' Light Box Diffusion	1.5	201.00
319707	8' x 8' Hi Lights (welded)	3	806.00
319023	8' x 8' Hi Lights (sewn)	3	401.00
319024	8' x 8' Silent Frost (sewn)	1.75	306.00
319744	8' x 8' Silent Frost (welded)	1.75	528.00
319414	8' x 8' Butterfly Set	23.5	1479.00

* Included in 8' x 8' Butterfly Set. Also included: 1 Rag Bag, 1 Frame
 ** Subject to material availability and market price at time of purchase.

12' x 12' (366CM x 366CM)

319087*	12' x 12' Single Scrim — Black	2.75	\$545.00
319088*	12' x 12' Double Scrim — Black	5.5	898.00
319612**	12' x 12' Single Scrim — White	2.75	985.00
319090	12' x 12' Double Scrim — White	5.5	1,875.00
319000*	12' x 12' Artificial Silk — White	3.5	255.00
B319000	12' x 12' Artificial Silk — Black	3.5	255.00
319089*	12' x 12' Solid	13.5	286.00
319912	12' x 12' Water Black/Wet Solids	38	317.00
319802	12' x 12' White Solid	13.5	352.00
319613	12' x 12' 1/4 Stop Silk — White	2.5	355.00
B319613	12' x 12' 1/4 Stop Silk — Black	2.5	355.00
319609	12' x 12' China Silk — White	2.25	488.00
B319609	12' x 12' China Silk — Black	2.25	488.00
319017	12' x 12' Gridcloth	3.5	488.00
319016	12' x 12' Gridcloth Lite	3	488.00
309667	12' x 12' Gridcloth 1/4	3.5	488.00
319786	12' x 12' Silent Gridcloth	3.5	488.00
319118	12' x 12' Silent Gridcloth Lite	3.5	488.00
319147	12' x 12' Silent Gridcloth 1/4	3.5	488.00

* Included in 12' x 12' Overhead Set. Also Included: 1 Rag Bag, 1 Frame.
 ** Subject to material availability and market price at time of purchase.



LIGHTING CONTROL 6

CUSTOM SIZES AVAILABLE

Lighting Control

Overheads & Butterflies

12' x 12' (366CM x 366CM)

309104	12' x 12' Lame — Silver	3.5	\$526.00
309105	12' x 12' Lame — Gold	2.25	526.00
570004	12' x 12' Grifflector— Silver	11	658.00
309607	12' x 12' Matthflector — Silver	13.5	602.00
719090	12' x 12' Griff — Black / White T55	5.5	230.00
719707	12' x 12' Griff — Black / White T90	10.5	316.00
719672	12' x 12' Griff — White / White T55	5.5	230.00
319011	12' x 12' MatthBounce	3.5	458.00
309620	12' x 12' Bleached Muslin (seamed)	6.25	316.00
309658	12' x 12' Bleached Muslin (seamless)	6.25	374.00
309625	12' x 12' Unbleached Muslin (seamed)	7	316.00
309660	12' x 12' Unbleached Muslin (seamless)	7	374.00
319095	12' x 12' Blue Screen — Chromakey	10	516.00
319096	12' x 12' Green Screen — Chromakey	10	516.00
319160	12' x 12' Blue/Green — Chromakey	13	688.00
319826	12' x 12' Blue Screen — Digital	10	573.00
319792	12' x 12' Green Screen — Digital	10	573.00
319164	12' x 12' Blue/Green — Digital	13	699.00
309133	12' x 12' Checkerboard Lamé	3.5	1428.00
	Each Square Individually Sewn		
319762	12' x 12' Light Box Diffusion	3.5	374.00
319025	12' x 12' Hi Lights (sewn)	11.5	653.00
319026	12' x 12' Silent Frost (sewn)	3.75	516.00
319708	12' x 12' Hi Lights (welded)	11.5	1031.00
319745	12' x 12' Silent Frost (welded)	3.75	714.00
319068*	12' x 12' Overhead Set	28	2350.00

* Included in 12' x 12' Overhead Set. Also Included: 1 Rag Bag, 1 Frame.

12' x 20' (366CM x 610CM)

319684	12' x 20' Single Scrim — Black	3.5	\$747.00
319685	12' x 20' Double Scrim — Black	6.5	1550.00
319687	12' x 20' Scrim Artificial Silk — White	5	475.00
B319687	12' x 20' Scrim Artificial Silk — Black	5	475.00
319686	12' x 20' Solid	15	439.00
319688	12' x 20' Scrim 1/4 Stop Silk — White	4	499.00
B319688	12' x 20' Scrim 1/4 Stop Silk — Black	4	499.00
319643	12' x 20' China Silk — White	4.5	898.00
B319643	12' x 20' China Silk — Black	4.5	898.00
719125	12' x 20' Griff — Black/White T55	16.5	322.00

20' x 20' (610CM x 610CM)

319588	20' x 20' Single Scrim — Black	5.75	\$1184.00
319645**	20' x 20' Single Scrim — White	5.75	2650.00
319599	20' x 20' Double Scrim — Black	8.75	2040.00
319616**	20' x 20' Double Scrim — White	8.75	5099.00
319544	20' x 20' Artificial Silk — White	7	485.00
B319544	20' x 20' Artificial Silk — Black	7	485.00
319524	20' x 20' Solid	23	596.00
319913	20' x 20' Water Black/Wet Solids	58	686.00
319803	20' x 20' White Solid	23	833.00
319646	20' x 20' 1/4 Stop Silk — White	6	802.00
B319646	20' x 20' 1/4 Stop Silk — Black	6	802.00
319644	20' x 20' China Silk — White	6	1203.00
B319644	20' x 20' China Silk — Black	6	1203.00

** Subject to material availability and market price at time of purchase.

Fabric Pricing Subject to Market Fluctuations.

Fabric Color Disclaimer:

Actual fabric color will vary with each dye lot. Matthews will not be liable for standard color variations. Please be aware that dye lots are finite; extensive yardages may need to come from multiple dye lots which will show normal dyeing variations.

CONVERSION CHART

12" x 18" = 31 cm x 46cm	24" x 30" = 61cm x 76cm	30" x 36" = 76cm x 92cm
18" x 24" = 46cm x 61cm	24" x 36" = 61cm x 92cm	48" x 48" = 122cm x 122cm
	24" x 48" = 61 cm x 122cm	

Lighting Control

Overheads & Butterflies

20' x 20' (610CM x 610CM)

319615	20' x 20' Gridcloth	6.5	\$1031.00
319614	20' x 20' Gridcloth Lite	6	1031.00
309668	20' x 20' Gridcloth 1/4	6.5	1031.00
319121	20' x 20' Silent Gridcloth	6.5	1031.00
319117	20' x 20' Silent Gridcloth Lite	6.5	1031.00
319120	20' x 20' Silent Gridcloth 1/4	6.5	1031.00
309106	20' x 20' Lamé — Silver	7.25	1122.00
309107	20' x 20' Lamé — Gold	7.25	1122.00
570005	20' x 20' Grifflector — Silver	61.5	1734.00
309608	20' x 20' Matthflector — Silver	63	1377.00
719547	20' x 20' Griff — Black / White T55	14	431.00
719708	20' x 20' Griff — Black / White T90	21	688.00
719673	20' x 20' Griff — White / White T55	14	516.00
309621	20' x 20' Bleached Muslin (seamed)	17	717.00
309659	20' x 20' Bleached Muslin (seamless)	17	1489.00
309626	20' x 20' Unbleached Muslin (seamed)	6.25	717.00
309661	20' x 20' Unbleached Muslin (seamless)	6.25	1489.00
319098	20' x 20' Blue Screen — Chromakey	24	1031.00
319097	20' x 20' Green Screen — Chromakey	24	1031.00
319159	20' x 20' Blue/Green — Chromakey	30	1192.00
319827	20' x 20' Blue Screen — Digital	24	1036.00
319793	20' x 20' Green Screen — Digital	24	1036.00
319167	20' x 20' Blue/Green — Digital	30	1204.00
309134	20' x 20' Checkerboard Lamé	8	2652.00
	Each Square Individually Sewn		
319763	20' x 20' Light Box Diffusion	12	974.00
319709	20' x 20' Hi Lights (welded)	32	2289.00
319012	20' x 20' MatthBounce	7.25	1145.00
319746	20' x 20' Silent Frost (welded)	10	1938.00
319027	20' x 20' Hi Lights (sewn)	32	1375.00
319028	20' x 20' Silent Frost (sewn)	10	1145.00

** Subject to material availability and market price at time of purchase.

20' x 30' (610CM x 915CM)*

319625	20' x 30' Single Scrim — Black	8.4	\$1546.00
319626	20' x 30' Artificial Silk — White	8.4	949.00
319627	20' x 30' Solid	34	859.00
309615	20' x 30' Gridcloth	13	1432.00
309617	20' x 30' Gridcloth Lite	91	1432.00
309622	20' x 30' Bleached Muslin	25	1083.00
309627	20' x 30' Unbleached Muslin	25	1083.00
319715	20' x 30' Bleached Muslin (seamless)	19	2175.00
319714	20' x 30' Lamé — Silver	7.25	2958.00
319711	20' x 30' Green Screen	31	1489.00
319712	20' x 30' Blue Screen	31	1489.00
719548	20' x 30' Griff — Black/White T55	20	585.00

30' x 30' (915CM x 915CM)*

319628	30' x 30' Artificial Silk — White	26	\$1377.00
319629	30' x 30' Solid	51	2100.00
319631	30' x 30' Gridcloth	20	2148.00
319632	30' x 30' Gridcloth Lite	13.5	2148.00
319633	30' x 30' Bleached Muslin	38	2142.00
319634	30' x 30' Unbleached Muslin	38	3050.00

**Although listed in this catalog any size ordered beyond 20'x20' is considered a custom size and requires a deposit of 50% with order.*

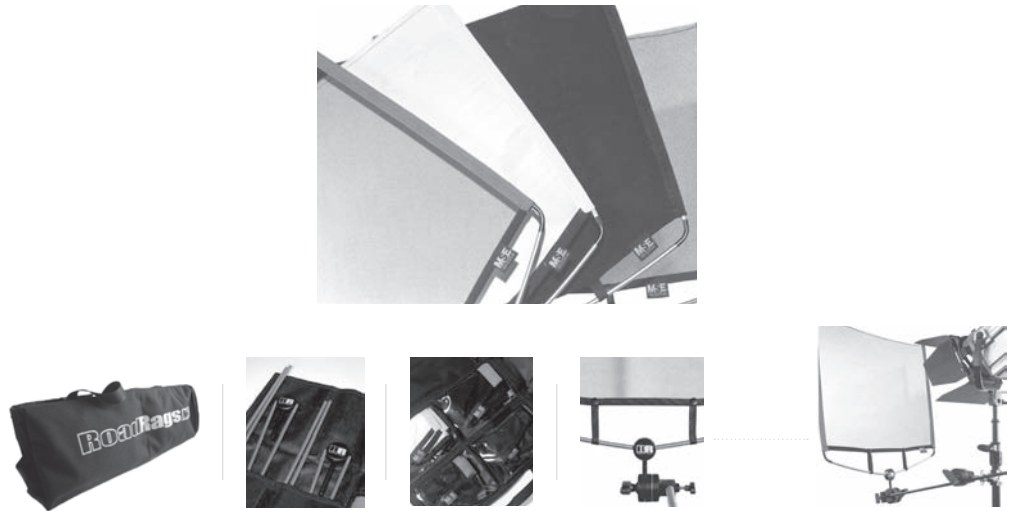
6' x 6' BUTTERFLIES MEASURE
APPROXIMATELY 5'8" x 5'8"

12' x 12' BUTTERFLIES MEASURE
APPROXIMATELY 11'8" x 11'8"

20' x 20' BOBBINETS MEASURE
APPROXIMATELY 19'6" x 19'6"

20' X 20' BUTTERFLIES MEASURE
APPROXIMATELY 19'8" x 19'8"

CUSTOM SIZES AVAILABLE



350595 | ROADRAGS KIT COMPONENTS

ROADRAGS PICTURED W/MINI GRIP KIT

LIGHTING CONTROL 6

Lighting Control

RoadRags® & RoadRags II®

RoadRags and RoadRags II are a patented portable lighting modification system that allows the location photographer/videographer the ability to quickly and easily duplicate studio lighting effects on location using their portable lights.

RoadRags consists of two folding 18"x24" frames, single scrim, double scrim, artificial silk and flag with convenient carrying bag. Additionally, optional reflector panels are also available. RoadRags II comes with exactly the same items as original RoadRags except they are manufactured in the larger 24"x36" configuration.

The elastic corded frames easily folds for storing and transporting. A simple flick of the wrist is all that's required to quickly open the frame making it ready for use. By using the different materials the photographer/cinematographer/videographer is able to quickly create contrasts, different light ratios, diffusion or block the light. RoadRags kits will fit into most portable lighting kits. Patent Pending.

350595	18"x24" RoadRags Kit*	3	\$287.00
350596	24"x36" RoadRags II Kit	4	482.00

* 350595 Kit includes: 1 each Single Black Scrim, Artificial Silk, Flag & Double Black Scrim

ACCESSORIES ROADRAGS

149010	18"x24" Single Black Scrim	1	\$34.00
149013	18"x24" Double Black Scrim	1	58.00
149015	18"x24" Artificial Silk	1	29.00
149018	18"x24" Flag	1	29.00
169190	18"x24" Rag Frame	1	87.00
309299	RoadRags Bag	1	45.00

ACCESSORIES ROADRAGS II

149012	24"x36" Single Black Scrim	1	\$81.00
149019	24"x36" Double Black Scrim	1	98.00
149009	24"x36" Artificial Silk	1	67.00
149008	24"x36" Flag	1	70.00
169191	24"x36" Rag Frame	1	98.00
309298	RoadRags II Bag	1	87.00

ACCESSORIES ROADRAGS & ROADRAGS II

149011	18"x24" Gold Lame Reflector	1	\$47.00
149016	18"x24" Silver Lame Reflector	1	47.00
149017	18"x24" Silver Matthflector	1	35.00
149006	24"x36" Gold Lame Reflector	1	87.00
149007	24"x36" Silver Lame Reflector	1	87.00
149004	24"x36" Silver Matthflector	1	87.00

RoadRags are available in any Matthews Textile.

IMPORTANT INSTRUCTIONS: RoadFlags are designed for use under a controlled environment. Wind and/or other weather conditions may cause damage to this product. While all Matthews products are guaranteed 100% against defects in materials and manufacturing, we cannot be held responsible for damage to products resulting from misuse.



420112-S15 | MINI MATTHELLINI*



350584 | MINIGRIP HEAD

Lighting Control

MiniGrip®

A whole new family of smaller mounting devices used for clamping and holding a wide variety of production tools and accessories. When used with Matthews' new ROADRAGS kit, the MINIGRIP system eliminates the need for extra stands... the MINIGRIP kit consists of four lightweight 2" MiniGrip Heads with 3/8" and 5/8" mounting holes... two new Mini-Matthellini Clamps... which are half as large as the regular Matthellini, but with just as many uses and two 20" arms.

The MINIGRIP kit can be used with camera attachments and other accessories as well as lighting equipment. These miniature tools are ideal for tabletop photography, car interiors, and otherwise confined areas. The high impact composite material used in the manufacturing of these products is very strong, yet extremely light making them ideal for supporting camera accessories. It packs up into its own carrying bag. Patent Pending.

350598	MINIGRIP Mounting Kit	2.5	\$275.00
350584	MiniGrip Head	1	29.00
420112-S15	Mini Matthellini*	1	53.00
350601	20" Arm	1	18.00
445375	MiniGrip Bag	1	49.00

*Manufactured under license, Steve Cardellini, U.S. patent number 5,276,949.



MINIGRIP KIT COMPONENTS

RoadRags C-Vival Kit

Specifically designed for the run and gun shooter who must move quickly and create studio quality images, this kit contains: two (2) 40" Matthews C+ Stands; an 18"x24" RoadRags Kit, which includes a single, double, silk, and a flag; and the convenient MiniGrip Kit for quick mounting of the light modification devices to the light stand. Packaged as a self contained kit, the heavy-duty case includes wheels for easy transport and maneuverability.

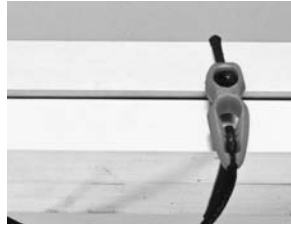
999026	RoadRags C-Vival Kit	42	\$1275.00
--------	----------------------	----	-----------



999026 | ROADRAGS C-VIVAL KIT



Tie Off Overheads to Frames



Secure Frame Members

Here are a few of the many applications...



Cable Tie



Tie Cables to Booms & Stands

Mathties

Now you can secure those butterflies and overheads to frames as well as many other uses on set and on location...

MathtIE eliminates the awkward and clumsy tying of knots and bows presently used to draw the fabric tightly across the frame. Even with large, heavy solids MathtIE is fast — it is secure and it ensures a very taut and tight fabric. MathtIE makes set up and tear down both faster and easier. When ordering new Overheads and Butterflies from Matthews you can substitute MathtIES for the old, standard rope ties.

B6090-12	12 Pack of Mathties	\$26.00
B6090-20	20 Pack of Mathties	36.00

Packaged with header card for display rack. Not available individually.



Assembles in Three Easy Steps...



As Easy As... 1



2...SNAP



3...Pull Tight



Lighting Control

RoadFlagsII® Kit

Matthews Studio Equipment presents a new, versatile solution to duplicating studio lighting effects on location. Designed for today's highly mobile, location shooter, RoadFlagsII offers a larger 4'x4' (122cm x 122cm) surface lighting modification in a convenient, easy-to-use portable kit. The "slip-on" fabrics allow for fast setup and packaging while offering larger fabric sizes to create a multitude of lighting effects.

RoadFlagsII Kit packs into a lightweight, self-contained easy-to-handle 28" x 50" (71cm x 127cm) soft bag. RoadFlagsII Kit will easily pack into any automobile or location vehicle.

In addition to the list of fabrics included in a RoadFlagsII Kit, these SLIP-ON light modification fabrics are available for RoadFlagsII and as instant recovers for standard 48"x48"

frames. Now there is no need to return the frames to the factory for recovering.

999028	RoadFlagsII Kit	\$816.00
169196	Single Black*	\$148.00
169194	Double Black	204.00
169193	Artificial Silk*	128.00
169197	Solid*	128.00
169198	Silver Lame*	133.00
169199	Gold Lame	133.00
169200	Blue Screen	144.00
169202	Green Screen	144.00
169207	Floppy	184.00
169614	RoadFlagsII Break-A-Part Frame II*	173.00
169150	RoadFlagsII Bag	255.00
539189	48" x 48" Solid Frame	70.00

* Included with RoadFlagsII KIT.

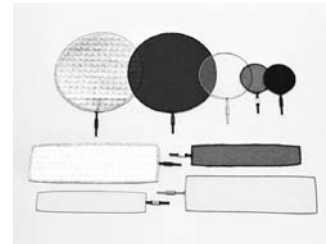
IMPORTANT INSTRUCTIONS: RoadFlagsII are designed for use under a controlled environment. Wind and/or other weather conditions may cause damage to this product. While all Matthews products are guaranteed 100% against defects in materials and manufacturing, we cannot be held responsible for damage to products resulting from misuse.



RoadFlagsII includes:
 2 breakdown, easy-to-assemble 48"x48" (122cm x 122cm) frames,
 1 each of single scrim, silk diffusion, silver lame reflector & solid plus soft bag.



RAG BAGS



DOTS & FINGERS

Lighting Control

Rag Bags

These bags are ideal for storing Butterfly and Overhead Rags individually to keep them clean and not allow one wet rag to contaminate the others. The double drawstrings pull through grommets for long wear. Custom size and custom color Rag Bags available upon request.

309200	Rag Bag — Small	Red	.25	\$29.00
309212	Rag Bag — Medium	Red	.50	34.00
309218	Rag Bag — Large	Red	.75	50.00
309224	Rag Bag — Extra Large	Red	1	65.00

DIMENSIONS of RAG BAGS (unfilled)

Extra Large — 42-1/2" x 26"W	Medium — 27"L x 19-1/2"W
Large — 38-1/4"L x 24"W	Small — 19"L x 14-1/4"W

Fingers

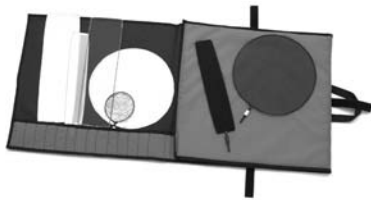
Similar construction to Dots, only in a different shape. Available in two sizes 2" x 12" and 4" x 14". Pin is color coded for easy identification of fabric covering. Fingers are most commonly used for manipulating or controlling light in small areas.

229722	2" x 12" Finger — Single ScrimBlack	.25	\$31.00
229105**	2" x 12" Finger — Single Scrim White	.25	38.00
229732	2" x 12" Finger — Double Scrim Black	.25	31.00
229752	2" x 12" Finger — Artificial Silk White	.25	30.00
229742	2" x 12" Finger — Solid	.50	31.00
229107	2" x 12" Finger — 1/4 Stop Silk White	.25	31.00
229102	2" x 12" Finger — Lavender	.25	31.00
229724	4" x 14" Finger — Single Scrim Black	.50	31.00
229106**	4" x 14" Finger — Single Scrim White	.50	41.00
229734	4" x 14" Finger — Double Scrim Black	.50	31.00
229754	4" x 14" Finger — Artificial Silk White	.50	31.00
229744	4" x 14" Finger — Solid	.75	31.00
229108	4" x 14" Finger — 1/4 Stop Silk White	.50	31.00
229104	4" x 14" Finger — Lavender Scrim	.50	31.00
229076	Finger Set* — 12 Fingers	1	347.00

* Includes 2 Singles, 2 Doubles, 1 Solid and 1 Artificial Silk

445379	Dot & Finger Pouch Only	3	173.00
999003	Dot & Finger Survival Kit	6	1000.00

** Subject to material availability and market price at time of purchase.



445379 | DOT & FINGER POUCH
(DOTS & FINGERS NOT INCLUDED)



999003 | DOT & FINGER SURVIVAL KIT



FLEX SCRIMS

Lighting Control

Dots

Dots are very thin spring steel frames with a mounting pin. Designed to fit Superflex, Flex Arm or a Grip Head. Dots are most commonly used for manipulating or controlling light in small areas. Three sizes 3", 6" and 10" are available. Pin is color coded for easy identification of fabric covering.

219063	3" Dot — Single Scrim Black	.25	\$29.00
219111**	3" Dot — Single Scrim White	.25	39.00
219073	3" Dot — Double Scrim Black	.25	29.00
219093	3" Dot — Artificial Silk White	.25	29.00
219083	3" Dot — Solid	.25	29.00
219114	3" Dot — 1/4 Stop Silk White	.25	29.00
219193	3" Dot — Lavender Scrim	.25	29.00
219066	6" Dot — Single Scrim Black	.25	31.00
219112**	6" Dot — Single Scrim White	.25	41.00
219076	6" Dot — Double Scrim Black	.25	31.00
219096	6" Dot — Artificial Silk White	.25	31.00
219086	6" Dot — Solid	.25	31.00
219115	6" Dot — 1/4 Stop Silk White	.25	31.00
219196	6" Dot — Lavender Scrim	.25	31.00
219610	10" Dot — Single Scrim Black	.25	31.00
219113**	10" Dot — Single Scrim White	.25	48.00
219710	10" Dot — Double Scrim Black	.25	31.00
219910	10" Dot — Artificial Silk White	.25	31.00
219810	10" Dot — Solid	.50	31.00
219116	10" Dot — 1/4 Stop Silk White	.25	31.00
219110	10" Dot — Lavender Scrim	.25	31.00
219005	Dot Set 18 Dots*	1.25	520.00

* Includes 2 Singles, 2 Doubles, 1 Solid and 1 Artificial Silk of each size.

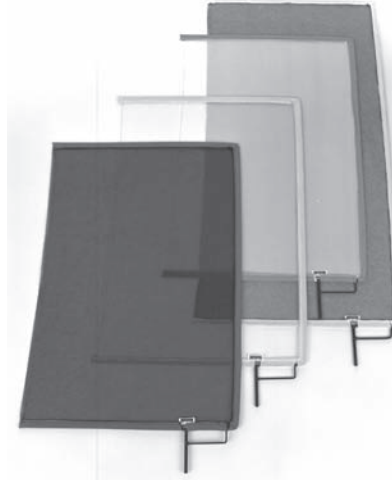
** Subject to material availability and market price at time of purchase.

Flex Scrims

Flex Scrims are made of a slightly heavier spring steel than the Dots and are available in both Open End and Solid Frames. The Matthews Flex Scrims have pins for easy mounting into either a Superflex Arm, a Flex Arm or a Grip Head. Color coded on one of the pins for easy identification of the fabric sewn on. Flex Scrims are available in 10" x 12", 'Postage Stamps' or 12" x 20" and in a variety of fabrics. Matthews Flex Frames are black powder coated to minimize unwanted reflections. A complete listing of fabric specifications can be found on pages 114 to 119.

238120	10" x 12" Flex Scrim - Single, Black	.25	\$36.00
238121	10" x 12" Flex Scrim - Double, Black	.25	43.00
238123	10" x 12" Flex Scrim - Artificial Silk, White	.25	36.00
B238123	10" x 12" Flex Scrim - Artificial Silk, Black	.25	36.00
238126	10" x 12" Flex Scrim - 1/4 Stop Silk, White	.25	36.00
B238126	10" x 12" Flex Scrim - 1/4 Stop Silk, Black	.25	36.00
238127	10" x 12" Flex Scrim - China Silk, White	.25	51.00
B238127	10" x 12" Flex Scrim - China Silk, Black	.25	51.00
238124	10" x 12" Flex Scrim - Lavender	.25	46.00
238122	10" x 12" Flex Scrim - Solid	.50	36.00
238220	12" x 20" Flex Scrim - Single, Black	.25	40.00
238221	12" x 20" Flex Scrim - Double, Black	.25	69.00
238224	12" x 20" Flex Scrim - Artificial Silk, White	.25	46.00
B238224	12" x 20" Flex Scrim - Artificial Silk, Black	.25	46.00
238225	12" x 20" Flex Scrim - Lavender	.25	40.00
238223	12" x 20" Flex Scrim - Solid	.50	48.00
999001*	Flex Scrim Survival Kit	63	2600.00

*See page 181 for details.



OPEN END SCRIMS

LIGHTING CONTROL 6

Lighting Control — Scrims

Open End Scrims

Open End Frames are made of stainless steel with a 3/8" pin and support which can be used to hang the Scrim from a C-Stand handle when not in use. The two upright arms of the frame are slotted at the two open ends to retain the piano wire woven through the fabric to make up the fourth side of the frame without causing a shadow. Open Ends are used to control or manipulate light falling on certain areas of the set or subject. They can be used to soften or reduce light without a noticeable edge. A color coded binding is used around the frame to identify the fabric. Matthews Open End Frames stainless steel. Fabric specifications are listed on pages 114 to 119.

149052	12" x 18" Single Scrim - Black	.50	\$40.00	149545	18" x 24" Artificial Silk - White	.75	\$43.00
149045**	12" x 18" Single Scrim - White	.50	48.00	B149545	18" x 24" Artificial Silk - Black	.75	43.00
149058	12" x 18" Double Scrim - Black	.50	46.00	149549	18" x 24" 1/4 Stop Silk - White	.75	43.00
149047**	12" x 18" Double Scrim - White	.50	73.00	B149549	18" x 24" 1/4 Stop Silk - Black	.75	43.00
149169	12" x 18" Triple Scrim - Black	1	57.00	149555	18" x 24" China Silk - White	.75	48.00
149043	12" x 18" Artificial Silk - White	.50	35.00	B149555	18" x 24" China Silk - Black	.75	48.00
B149103	12" x 18" Artificial Silk - Black	.50	35.00	149546	18" x 24" Lavender Scrim	.75	49.00
149046	12" x 18" 1/4 Stop Silk - White	.50	41.00	149105	24" x 30" Single Scrim - Black	1.5	67.00
B149046	12" x 18" 1/4 Stop Silk - Black	.50	41.00	149109**	24" x 30" Single Scrim - White	1.5	97.00
238128	12" x 18" China Silk - White	.50	38.00	149106	24" x 30" Double Scrim - Black	1.5	82.00
B238128	12" x 18" China Silk - Black	.50	38.00	149111**	24" x 30" Double Scrim - White	1.5	161.00
149044	12" x 18" Lavender	.50	40.00	149171	24" x 30" Triple Scrim - Black	1.5	133.00
149066	18" x 24" Single Scrim - Black	.75	51.00	149107	24" x 30" Artificial Silk - White	1.5	61.00
149547**	18" x 24" Single Scrim - White	.75	75.00	149110	24" x 30" 1/4 Stop Silk - White	1.5	61.00
149061	18" x 24" Double Scrim - Black	.75	67.00	149108	24" x 30" Lavender Scrim	1.5	65.00
149554**	18" x 24" Double Scrim - White	.75	116.00	149063	24" x 36" Single Scrim - Black	1.5	65.00
149170	18" x 24" Triple Scrim - Black	.75	65.00	149551**	24" x 36" Single Scrim - White	1.5	113.00

See page 146 for



SCRIM FLAG BOXES



159019 | 48" x 48" SOLID FRAME
LAVENDER SCRIM

Lighting Control — Scrim

Open End Scrim

149064	24" x 36" Double Scrim - Black	1.5	\$82.00
149552**	24" x 36" Double Scrim - White	1.5	161.00
149172	24" x 36" Triple Scrim - Black	1.5	133.00
149566	24" x 36" Artificial Silk - White	1.5	61.00
B149566	24" x 36" Artificial Silk - Black	1.5	74.00
149550	24" x 36" 1/4 Stop Silk - White	1.5	61.00
B149550	24" x 36" 1/4 Stop Silk - Black	1.5	61.00
149556	24" x 36" China Silk - White	1.5	74.00
B149556	24" x 36" China Silk - Black	1.5	74.00
149548	24" x 36" Lavender Scrim	1.5	65.00
149067	24" x 48" Single Scrim - Black	1.5	112.00
149068	24" x 48" Double Scrim - Black	1.5	133.00
149569	24" x 48" Artificial Silk	1.5	76.00
149020	30" x 36" Single Scrim - Black	1.75	87.00
149026**	30" x 36" Double Scrim - White	1.75	168.00
149024**	30" x 36" Single Scrim - White	1.75	122.00
149021	30" x 36" Double Scrim - Black	1.75	108.00
149173	30" x 36" Triple Scrim —Black	1.75	139.00
149022	30" x 36" Artificial Silk - White	1.75	72.00
B149022	30" x 36" Artificial Silk - Black	1.75	72.00
149025	30" x 36" 1/4 Stop Silk - White	1.75	82.00
B149025	30" x 36" 1/4 Stop Silk - Black	1.75	82.00
149031	30" x 36" China Silk - White	1.75	84.00
B149031	30" x 36" China Silk - Black	1.75	84.00
149023	30" x 36" Lavender Scrim	1.75	70.00

** Subject to material availability and market price at time of purchase.

Solid Frame Scrim

To keep weight to a minimum and yet get maximum strength, all Matthews Solid Frames are made of 3/8" SST tubing. The mounting pin is solid rod. Matthews Solid Frames are stainless steel. All Matthews Scrim & Flags are bordered with heavy duty color coded webbing. Fabric specifications are listed on pages 114 to 119.

159013***	48" x 48" Single Scrim — Black	4	\$138.00
159020***	48" x 48" Single Scrim — White	4	247.00
159014***	48" x 48" Double Scrim — Black	4	190.00
159022***	48" x 48" Double Scrim — White	4	407.00
159177***	48" x 48" Triple Scrim — Black	4	245.00
159015***	48" x 48" Artificial Silk — White	4	128.00
B159015***	48" x 48" Artificial Silk — Black	4	128.00
159021***	48" x 48" 1/4 Stop Silk — White	4	153.00
B159021***	48" x 48" 1/4 Stop Silk — Black	4	153.00
159031***	48" x 48" China Silk — White	4	138.00
B159031***	48" x 48" China Silk — Black	4	138.00
159019***	48" x 48" Lavender	4	148.00

** Subject to material availability and market price at time of purchase.
*** These items (159013, 159019) CANNOT be shipped by either UPS or FedEx. Truck shipped only!

See page 146 for



SCRIM FLAG BOXES

CONVERSION CHART

12" x 18" = 31 cm x 46cm	24" x 30" = 61cm x 76cm	30" x 36" = 76cm x 92cm
18" x 24" = 46cm x 61cm	24" x 36" = 61cm x 92cm	48" x 48" = 122 cm x 122cm
	24" x 48" = 61 cm x 122cm	

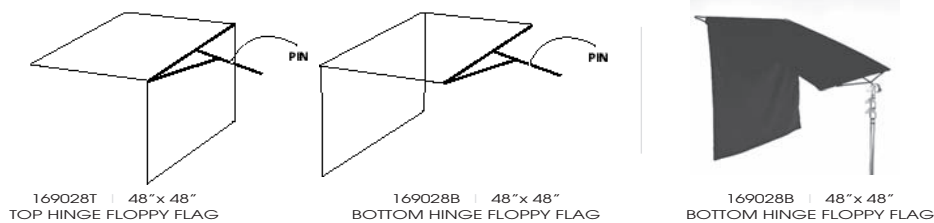


Lighting Control — Flags, Cutters & Floppies

Flag and Cutter frames will make it possible to position the instrument over the top of the set wall or to use two or more units to create a box for better light control. With this new design, there are now three square corners as opposed to the older design providing just two. In addition, the 48" x 48" frames have been squared off with the removal of the mouse ears. Flags are square or rectangular frames with mounting pins attached and covered with a solid cloth material. They are used to control light, whether natural or artificial. Flags can be used to protect the camera lens from flares or to control spill light from other sources, or to keep light from reaching certain areas on the set. Known as Flags up to sizes 24" x 36", larger or more irregular sizes are referred to as Cutters. Floppies are Cutters which have an extra layer of material sewn to one edge and held in place with Velcro until needed at which time the Flag or Cutter becomes twice its original size. Use the number with a (B) after it for Bottom Hinge and the number with a (T) after to specify Top Hinge. See Pin configuration illustration shown below. All Matthews Scrims and Flags are bordered with heavy duty color coded webbing.

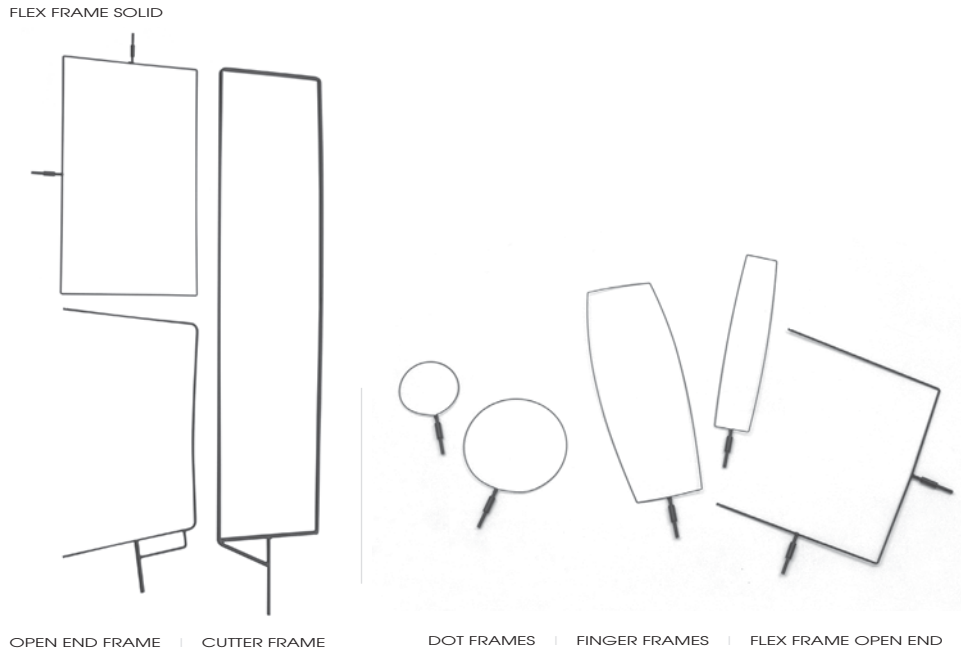
169042	12" x 18" Flag	1.5	\$43.00	169004	18" x 48" Cutter	3	\$76.00
169059	18" x 24" Flag	2	47.00	169067	24" x 72" Cutter	4.75	179.00
169010	24" x 30" Flag	2.75	62.00	169029	24" x 72" Floppy Cutter	6.25	179.00
169062	24" x 36" Flag	3	53.00		* Opens on the 72" side only.		
169001	30" x 36" Flag	3.25	67.00	169179*	40" x 40" Flag	4	118.00
169178	30" x 36" Meat Axe Flag	4.5	72.00	169027*	48" x 48" Flag	5.25	105.00
169030	24" x 48" Meat Axe Flag	4	89.00	169028T*	48" x 48" Floppy — Top	6.25	179.00
169003	10" x 42" Cutter	2.25	70.00	169028B*	48" x 48" Floppy — Bottom	6.25	179.00

*These items (169179, 169027, 169028T, 169028B) CANNOT be shipped by either UPS or FedEx. Truck shipped only!



Matthews flags use only a single, horizontally angled support arm which allows for 'close-in', right angle, tight positioning over set walls and interlocking of flags to establish a tightly controlled spread of light.

See page 146 for  SCRIM FLAG BOXES



Lighting Control — Frames

Frames Only

709111	3" Dot Frame	.25	\$18.00	529182	24" X 48" Scrim Frame - Open End	1.5	\$29.00
709112	6" Dot Frame	.25	18.00	529180	30" x 36" Scrim Frame - Open End	1.5	29.00
709113	10" Dot Frame	.25	19.00	539281	12" x 18" Flag Frame	1.25	24.00
709114	2" x 12" Finger Frame	.25	18.00	539282	18" x 24" Flag Frame	1.5	27.00
709115	4" x 14" Finger Frame	.25	18.00	539283	24" x 30" Flag Frame	2	30.00
779128	10" x 12" Flex Frame - Open End	.50	21.00	539284	24" x 36" Flag Frame	2	30.00
779699	10" x 12" Flex Frame - Solid	.50	21.00	539285	30" x 36" Flag Frame	2.25	39.00
779129	12" x 20" Flex Frame - Open End	.50	23.00	539189*	48" x 48" Flag Frame	3.5	70.00
779700	12" x 20" Flex Frame - Solid	.50	23.00	539286	10" x 42" Cutter Frame	1.75	41.00
529176	12" x 18" Scrim Frame - Open End	.50	19.00	539287	18" x 48" Cutter Frame	3.25	48.00
529177	18" x 24" Scrim Frame - Open End	.75	23.00	539288	24" x 72" Cutter Frame	3.25	80.00
529178	24" x 30" Scrim Frame - Open End	1.25	23.00	539190*	40" x 40" Cutter Frame	3.25	54.00
529179	24" x 36" Scrim Frame - Open End	1.5	23.00				

*These items (539189, 539190) CANNOT be shipped by either UPS or FedEx. Truck shipped only!

See page 146 for



SCRIM FLAG BOXES



FLAG BAGS



SCRIM STORAGE BAGS

Lighting Control

Diffusion/ Gel Frames (Flat Frames)

The flat edges of these frames make them ideal for quick gel changes with 2 sided tape.

549099	36"x 36" 3/4" Square Tubing Frame	2	\$112.00
549100*	48"x 48" 3/4" Square Tubing Frame	3	122.00
549098*	60"x 60" 3/4" Square Tubing Frame	3.5	178.00
549122	18"x 24" Knife Blade Frame	2	83.00
549121	24"x 36" Knife Blade Frame	2.5	87.00
549123	30"x 36" Knife Blade Frame	3	92.00
549120*	48"x 48" Knife Blade Frame	3	102.00

*These items (549100, 549098, 549120) CANNOT be shipped by either UPS or FedEx. Truck shipped only!



549120
KNIFE BLADE
FRAME

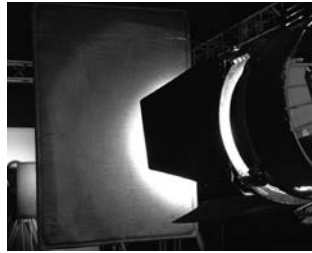


549099
SQUARE TUBING
FRAME

Flag Bags & Scrim Storage Bags

The Matthews Flag Bags or Scrim Storage Bags are made of 1000 denier polyester fabric exterior shell with a heavy duty zippered closure and carrying handles. The inside is lined with a corrugated plastic to protect the contents and provide stiffness. The interior corrugated liner is replaceable and the bag is provided with one divider of the same material. The Flag Bags will hold eight to ten Flags each. The Scrim Bags hold five.

309300	12"x 18" Flag Bag - Zippered closure, Stiffened Sides	2	\$215.00
309301	18"x 24" Flag Bag - Zippered closure, Stiffened Sides	3	274.00
149027	18"x 24" Scrim Storage Bag	5	239.00
309302	24" x 36" Flag Bag - Zippered closure, Stiffened Sides	12	332.00
309303	30"x 36" Flag Bag - Zippered closure, Stiffened Sides	11	408.00
149028	30"x 36" Scrim Storage Bag	6	357.00
309304	48"x 48" Flag Bag - Zippered closure, Stiffened Sides	12	495.00
309306	Shoulder Strap for 24"x 36" or 30"x 36" Flag Bags	.25	34.00



HOT FLAGS | THERMAL
RESISTANT FABRIC



189094 | WOOD CUCOLORIS

Lighting Control

High Temperature Metal Scrims, Flags & Cutters

For use with HMI Par lights or Xenon light sources. Will not deteriorate when subjected to high temperature output produced by these fixtures. Can be placed as close to the light source as required.

CAUTION: Allow sufficient time for cooling as these products retain heat.

436105	18"x 24" High Temperature Metal Open End Single Scrim	2.3	\$153.00
436106	18"x 24" High Temperature Metal Open End Double Scrim	2.8	153.00
436101	24"x 36" High Temperature Metal Open End Single Scrim	3.3	179.00
436102	24"x 36" High Temperature Metal Open End Double Scrim	3.8	179.00
436109	30"x 36" High Temperature Metal Open End Single Scrim	4.3	179.00
436110	30"x 36" High Temperature Metal Open End Double Scrim	4.8	179.00

Hot Flags by Matthews

Manufactured from a patented, thermal resistant fabric, Matthews HOT Flags will allow precise cutting of the light at relatively close distances to large, heat producing HMI or Tungsten fixtures. Matthews HOT Flags will withstand a continuous heat of 1800° F (982° C).

Matthews' HOT Flags weigh approximately one-half the weight of metal Hi-Temp Flags and dissipate heat rapidly allowing for easier handling and faster tear down of the lighting set up.

Cucoloris

The Cucoloris is used to create shadow patterns on backgrounds or subjects. A flat lit wall can be broken up into interesting pools of light and shadow. Lighting directors frequently use them to simulate sunlight filtering through trees. While the wood "cookies" create a distinctive pattern, the Cello "cookie" projects a more subtle pattern. The pattern itself depends on the distance of the light source and the distance to the background.

189093	Cucoloris — 18"x 24" Wood (natural only)	2.25	\$116.00
189094	Cucoloris — 24"x 36" Wood (natural only)	3.75	161.00
189091*	Cucoloris — 48" x 48" Wood (natural only)	9.75	230.00
199101	Cucoloris — 18"x 24" Cello	.75	70.00
199102	Cucoloris — 24"x 36" Cello	1.75	92.00
199103*	Cucoloris — 40"x 40" Cello	4.25	164.00
199104*	Cucoloris — 48"x 48" Cello	8.75	164.00

*These items (189091, 199103, 199104) CANNOT be shipped by either UPS or FedEx. Truck shipped only!

169612	18"x 24" Hot Flags	2	\$62.00
169611	24"x 36" Hot Flags	3	129.00
169610*	48"x 48" Hot Flags	5	230.00
169613*	24"x 72" Hot Flags	7	156.00

Custom sizes available on request.

*These items (169610, 169613) CANNOT be shipped by either UPS or FedEx. Truck shipped only!

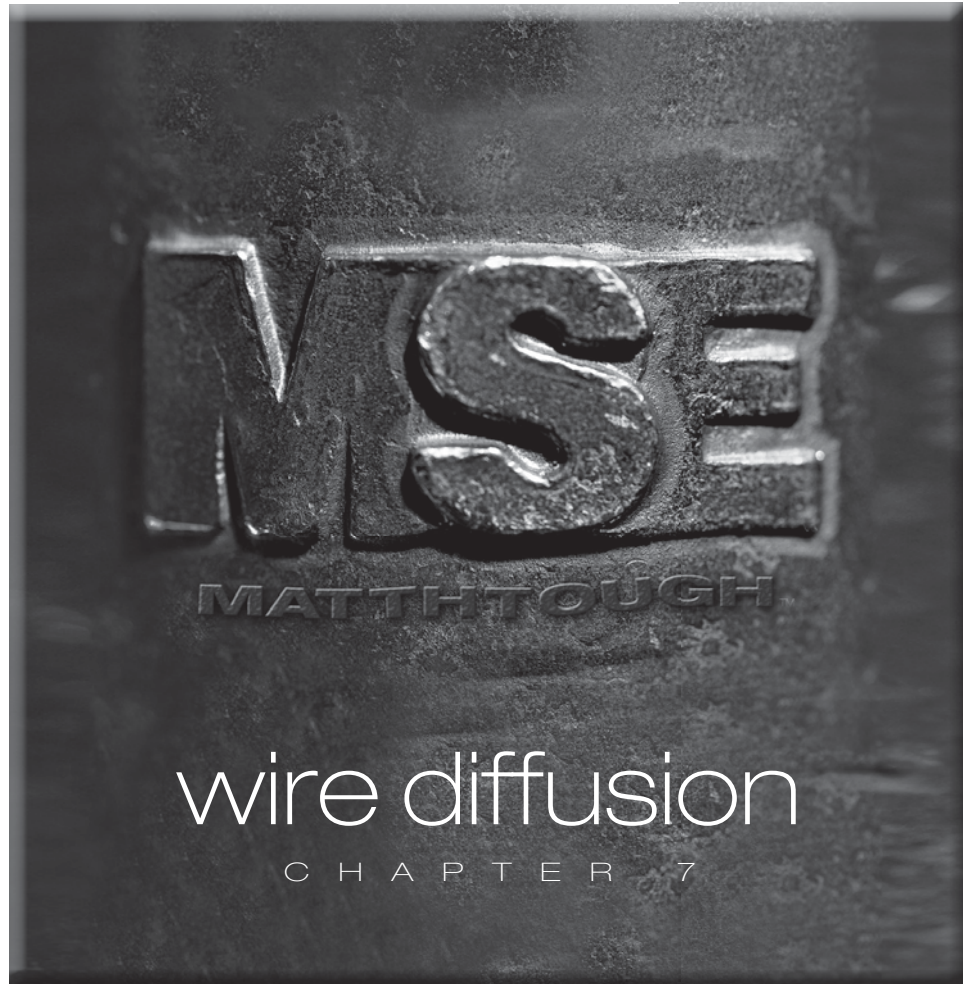
436101 | HIGH TEMPERATURE METAL
OPEN END SCRIM



199101 | CELLO CUCOLORIS



Video demonstration  @msegrid.com

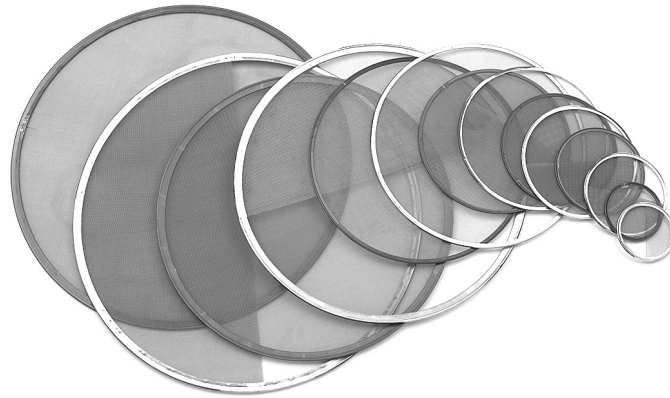


“...impervious to the environment... made from stainless steel — don’t be a half stop off!”

SIZE*	ARRI	LTM	DeSISTI	K5600	MOLE-RICHARDSON
3"	150w Fresnel Arrilux 125w Pocket Par	Pepper 100w Incandescent 24w Mini Par			200w Inbetweenie 200 Tiny Mole
4-1/4"		200w Pepper 300w Pepper 420w Pepper			
5"	300w Fresnel Arrilite 600w Compact 125w HMI Fresnel Arrilux 200w Pocket Par/Lite	650w Pepper 125/200w Prolight	Magis 300/500/650w Fresnel 300L-SM CD 7F 70w Cool Light Fresnel 300L-HM Rembrandt "Piccolo" 200w S/E Daylight Fresnel	200w Joker-Bug-HMI	200w Mini Mole (Lg Clip) 200w Midget Mole 600w Teenie Weenie 200w HMI Digi Mole
6-5/8"	650w Fresnel Compact 200w HMI Fresnel Arrisun 200w HMI Par Arrilux 400w Pocket Par/Lite Arrilite 750w Plus	HMI 575w Cinepar HMI 200 Luxarc Mark II HMI200 Ambarc	RC80 650w Cosmobeam RC100 1000w Cosmobeam RC50 500w Cosmobeam	400w Joker-Bug-HMI	1k 6" Baby 1k Baby 400w HMI Digi Mole 200w HMI Par
7-1/4"	Arrilite 650 Arrilite 800 Arrilite 1000w CD 15F 150w Cool Light Fresnel	HMI 200 Luxarc Mark I HMI 200 Ambarc Mark I 650/1k Incandescent	Leonardo 1000w Fresnel Leonardo "ECO" 1000w Fresnel Rembrandt "Piccolo" 200w Fresnel Rembrandt "Piccolo" 575w S/E Daylight Fresnel Rembrandt "Piccolo" 1200w S/E Daylight Fresnel Remington "575w S/E Daylight Par		1k Mickey Mole 1k Baby Baby
7-3/4"	1000w Fresnel T1 1000w Fresnel Compact 575w HMI Par Arrisun5 575w HMI Par L7 Led Fresnel			800w Joker-Bug-HMI	
9"	2000w Fresnel 1000w Studio Fresnel T2 2000w Fresnel ST1 1000w Studio Fresnel Compact 1200w HMI Fresnel D12 12000w HMI Fresnel	HMI 575w Fresnel Mill HMI 1.2k Cinepar S/E HMI 575 Prolight 1200 Par 1200 Par Mark II 575 Variarc		1600w Joker-Bug-HMI Zoom-Beamer-HMI	2k 8" Junior 2k Baby Junior 12k HMI Fresnel
10"	Arrilite 2000w Arrilite 2000w Plus Arrilite 1200w HMI Par (Old)	RC200 2000w Cosmobeam	1.2k HMI Par		2k Mighty Mole 1k Mole Par
11"				1600w Fresnel	
13"	2000w Studio Fresnel 5000w Fresnel ST22000w Studio Fresnel T5 5000w Fresnel Compact 2500w HMI Fresnel D25 2500w HMI Fresnel Arrisun12 Plus 1200w Hmi Par Arrisun18 1800w HMI Par M18 1800w HMI	HMI 2.5k Cinepar S/E HMI 2.5k Prolight 1200 Luxarc Mark I & II 2k Incandescent		2000S-SM 2000S-HM 5000L-SM 5000L-HM 2.5k HMI Fresnel	
13-1/2"					5k Baby Senior 2.5k HMI Fresnel 4k HMI Par
15-1/2"	5000w Studio Fresnel ST5 5000w Studio Fresnel Compact 4000w HMI Fresnel D40 4000w HMI Fresnel Arrisun 2.5/4k HMI Par Arrisun 40 HMI Par	HMI 2.5k Fresnel HMI Compact 4k HMI 2.5/4k Cinepar S/E HMI 4k Prolight HMI 1200 Ambarc 5k Incandescent	Leonardo 5000w Fresnel Leonardo "Piccolo" 10/12k Fresnel Rembrandt "Piccolo" 2.5/4k S/E Daylight Fresnel Remington 2.5/4k S/E Daylight Par	5000S-SM 5000S-HM 4k HMI Fresnel	5k Senior 6k HMI Par
15-7/8"	M40 4000w HMI				
19-1/2"	10000w Studio Fresnel T12 12000w Fresnel Arrisun60 6000w HMI Par Compact 6000w HMI Fresnel Compact 6000w Plus HMI Fresnel	HMI 6/12k Cinepar S/E 6/12k Prolight 6k Cinepar HMI 4k Luxarc Mark I HMI 2.5k Ambarc 1200 Spot Arc			
21"	HMI AD 4000w Fresnel HMI AD 6000w Fresnel HMI AD 12000w Fresnel Compact 12000w HMI Fresnel Arrisun120 12000w HMI Par	HMI 6k Fresnel	Super Leo 10/12k Fresnel Rembrandt 6/12k S/E Daylight Fresnel Remington 6/12k S/E Daylight Par		10/12k 20" Tener 12k HMI Par
22-3/8"	M90 9000w HMI				
29"	T24 24000w Fresnel 12/18k HMI Fresnel Ruby 7 Arrimax 12/18k HMI	HMI 12k Fresnel HMI 12/18k Combo HMI 6k Luxarc Mark I		Alpha 18k HMI	20k Fresnel 10k "Big Eye" Tener 12k HMI Fresnel 18k HMI Fresnel 5k Sky Pan

*Other sizes available upon request.

Specifications provided by Fixture Manufacturers.



STAINLESS DIFFUSION

Wire Diffusion

Matthews Stainless Wire Diffusion (SST) is impervious to rust and holds up well under uneven, intense heat, thus making it preferable for use with open face or Fresnel lighting fixtures. Stainless Scrims do not diffuse the light; their function is to reduce light output at the source. Scrims do not affect the color temperature and produce no electronic interference. They may be stacked to achieve limitless variation of light intensity. Available from 5" to 29" to meet the requirements of almost any professional light in the industry. Scrims are available in single, double, half single, and half double configurations. Halves are employed to reduce a portion of the beam and are commonly used when the light is striking the plane of the subject or background at an angle. The half reduces the light falling on the nearest part of the plane to balance with the light reaching the most distant part of the plane.

The outer edges are color-keyed for rapid identification.

Green — Single, Green with Silver — Half Single,
Red — Double, and Red with Silver— Half Double.

441011E	3" Full Single SST	.25	\$8.00	445298E*	5-1/4" Half Single SST	*	*
441012E	3" Full Double SST	.25	9.00	445299E*	5-1/4" Half Double SST	*	*
441013E	3" Half Single SST	.25	8.00	455402E*	5-1/4" SST Kit - Set of 5	*	*
441014E	3" Half Double SST	.25	9.00	435200E	6-5/8" Full Single SST	.25	13.00
455422E	3" SST Kit - Set of 5	1.25	40.00	435202E	6-5/8" Full Double SST	.25	14.00
441015E	4-1/4" Full Single SST	.25	8.00	435201E	6-5/8" Half Single SST	.25	13.00
441016E	4-1/4" Full Double SST	.25	9.00	435203E	6-5/8" Half Double SST	.25	14.00
441017E	4-1/4" Half Single SST	.25	8.00	455403E	6-5/8" SST Kit - Set of 5	1.25	62.00
441018E	4-1/4" Half Double SST	.25	9.00	445310E	7-1/4" Full Single SST	.25	13.00
445300E	5" Full Single SST	.25	12.00	445312E	7-1/4" Full Double SST	.25	14.00
445302E	5" Full Double SST	.25	13.00	445311E	7-1/4" Half Single SST	.25	13.00
445301E	5" Half Single SST	.25	12.00	445313E	7-1/4" Half Double SST	.25	14.00
445303E	5" Half Double SST	.25	13.00	455404E	7-1/4" SST Kit - Set of 5	1.25	62.00
455401E	5" SST Kit - Set of 5	1.25	57.00	435196E	7-3/4" Full Single SST	.25	15.00
445296E*	5-1/4" Full Single SST	*	*	435198E	7-3/4" Full Double SST	.25	16.00
445297E*	5-1/4" Full Double SST	*	*	435197E	7-3/4" Half Single SST	.25	15.00

* QUOTE REQUIRED: MINIMUM ORDER OF 100 PIECES EACH.





445376 | BABY SCRIM BAG

445377 | JUNIOR SCRIM BAG

445388 | SENIOR SCRIM BAG

Wire Diffusion

435199E	7-3/4" Half Double SST	.25	\$16.00	435234E	15-5/8" Full Single SST	.50	\$24.00
455405E	7-3/4" SST Kit - Set of 5	.25	73.00	435236E	15-5/8" Full Double SST	.50	27.00
435258E	8-1/2" Full Single SST	*	*	435254E*	16" Full Single SST	*	*
435260E*	8-1/2" Full Double SST	*	*	435256E*	16" Full Double SST	*	*
435259E*	8-1/2" Half Single SST	*	*	435255E*	16" Half Single SST	*	*
435261E*	8-1/2" Half Double SST	*	*	435257E*	16" Half Double SST	*	*
455406E*	8-1/2" SST Kit - Set of 5	*	*	455415E*	16" SST Kit - Set of 5	*	*
445320E	9" Full Single SST	.25	15.00	445351E*	18-3/8" Full Single SST	*	*
445322E	9" Full Double SST	.25	16.00	445352E*	18-3/8" Full Double SST	*	*
445321E	9" Half Single SST	.25	15.00	445353E*	18-3/8" Half Single SST	*	*
445323E	9" Half Double SST	.25	16.00	445354E*	18-3/8" Half Double SST	*	*
455407E	9" SST Kit - Set of 5	.25	73.00	455416E	18-3/8" SST Kit - Set of 5	*	*
435204E*	9-1/2" Full Single SST	*	*	445244E	19-1/2" Full Single SST	.50	38.00
435205E*	9-1/2" Full Double SST	*	*	445245E	19-1/2" Full Double SST	.75	43.00
435206E*	9-1/2" Half Single SST	*	*	445246E	19-1/2" Half Single SST	.75	38.00
435207E*	9-1/2" Half Double SST	*	*	445247E	19-1/2" Half Double SST	.75	43.00
455408E*	9-1/2" SST Kit - Set of 5	*	*	455417E	19-1/2" SST Kit - Set of 5	.25	203.00
445330E	10" Full Single SST	.25	16.00	435240E	21" 10K Full Single SST	.75	38.00
445332E	10" Full Double SST	.25	17.00	435242E	21" 10K Full Double SST	.75	43.00
445331E	10" Half Single SST	.25	16.00	435241E	21" 10K Half Single SST	.75	38.00
445333E	10" Half Double SST	.25	17.00	435243E	21" 10K Half Double SST	.75	43.00
455409E	10" SST Kit - Set of 5	.25	79.00	455418E	21" SST Kit - Set of 5	.25	203.00
445340E*	12" Full Single SST	*	*	435245E	22-3/8" Full Single SST	.75	40.00
445342E*	12" Full Double SST	*	*	435246E	22-3/8" Full Double SST	.75	45.00
445341E*	12" Half Single SST	*	*	440000E*	23-1/2" Full Single SST	*	*
445343E*	12" Half Double SST	*	*	440002E*	23-1/2" Full Double SST	*	*
455410E*	12" SST Kit - Set of 5	*	*	440001E*	23-1/2" Half Single SST	*	*
435215E*	12-5/8" Full Single SST	*	*	440003E*	23-1/2" Half Double SST	*	*
435217E*	12-5/8" Full Double SST	*	*	455419E*	23-1/2" SST Kit - Set of 5	*	*
435216E*	12-5/8" Half Single SST	*	*	440006E*	24-1/2" Full Single SST	*	*
435218E*	12-5/8" Half Double SST	*	*	440004E*	24-1/2" Full Double SST	*	*
455411E*	12-5/8" SST Kit - Set of 5	*	*	440005E*	24-1/2" Half Single SST	*	*
435226E	13" Full Single SST	.25	21.00	440007E*	24-1/2" Half Double SST	*	*
435227E	13" Full Double SST	.25	23.00	455420E*	24-1/2" SST Kit - Set of 5	*	*
435228E	13" Half Single SST	.25	21.00	435250E	29" Brute Full Single SST	1.5	70.00
435229E	13" Half Double SST	.25	23.00	435252E	29" Brute Full Double SST	2	80.00
455412E	13" SST Kit - Set of 5	.25	108.00	435251E	29" Brute Half Single SST	1.25	70.00
445344E	13-1/2" Full Single SST	.25	24.00	435253E	29" Brute Half Double SST	1.5	80.00
445346E	13-1/2" Full Double SST	.25	27.00	455421E	29" SST Kit - Set of 5	.25	376.00
445345E	13-1/2" Half Single SST	.25	24.00				
445347E	13-1/2" Half Double SST	.25	27.00				
455413E	13-1/2" SST Kit - Set of 5	.25	126.00				
435230E	15-1/2" Full Single SST	.50	24.00				
435232E	15-1/2" Full Double SST	.50	27.00				
435231E	15-1/2" Half Single SST	.50	24.00				
435233E	15-1/2" Half Double SST	.50	27.00				
455414E	15-1/2" SST Kit - Set of 5	.50	126.00				

Scrim Storage Bags

445376	Baby Scrim Bag - up to 9"	.25	\$26.00
445377	Junior Scrim Bag - 8" to 13-1/2"	.25	30.00
445388	Senior Scrim Bag - 13-1/2" to 21"	.50	57.00
445390	Scrim Bag - 29"	1.25	74.00

* QUOTE REQUIRED: MINIMUM ORDER OF 100 PIECES EACH.



*“Apple Boxes...precisely made from Baltic Birch,
supported in the center, and dimensionally correct —
and that logo!”*



Sandbags

Sandbags are used whenever you need extra weight to prevent tipping. You usually “bag” stands, especially when the weight is off center, such as with a heavy Scrim. They help stabilize equipment in windy situations and can counterbalance Boom Arm applications. Matthews fills our Sandbags with sanitized sand to prevent algae growth if they get damp. The empty bags are completely sewn except for a 1” seam, left open for the user to fill and then sew closed. This can save on the shipping charges, however, the user will require a heavy-duty machine to sew the sandbag closed properly. The Matthbags and the Fly-A-Way bags are a must for the traveling photographer. The bags come empty, and can be filled on-site with rocks, gravel, or whatever. The Fly-A-Way has a Velcro strip to seal it and the Matthbag has 4 zippers.

ALL BAGS ARE ORANGE UNLESS OTHERWISE SPECIFIED

299576	5 lb. Sandbag - Cordura	5	\$26.00	299599	25 lb. Water Repellent Sandbag	25	\$40.00
29957E	5 lb. Empty Sandbag - Cordura	.25	17.00	29952E	25 lb. Empty Sandbag - Cordura	.50	23.00
299577	5 lb. Sandbag - Cordura - Black	5	23.00	299553E	25 lb. Empty Sandbag- Cordura -Black	.50	23.00
299563	5 lb. Water Repellent Sandbag	5	34.00	29960E	25 lb. Empty Water Repellent Sandbag	.50	34.00
299577E	5 lb. Empty Sandbag - Cordura - Black	.25	17.00	299556	35 lb. Sandbag Cordura	35	40.00
29958E	5 lb. Empty Water Repellent Sandbag	.25	33.00	299557	35 lb. Sandbag - Cordura - Black	35	40.00
299550	15 lb. Sandbag - Cordura	15	30.00	299560	35 lb. Water Repellent Sandbag	35	51.00
299559	15 lb. Sandbag - Cordura - Black	15	30.00	29956E	35 lb. Empty Sandbag - Cordura	.50	29.00
299558	15 lb. Water Repellent Sandbag	15	34.00	299557E	35 lb. Empty Sandbag - Cordura -Black	.50	29.00
29955E	15 lb. Empty Sandbag - Cordura	.50	23.00	29961E	35 lb. Empty Water Repellent Sandbag	.50	40.00
299559E	15 lb. Empty Sandbag - Cordura - Black	.50	23.00	299551	50 lb. Sandbag - Cordura	50	59.00
29959E	15 lb. Empty Water Repellent Sandbag	.50	29.00	299168	50 lb. Empty Sandbag - Cordura	.75	48.00
299552	25 lb. Sandbag Cordura	25	39.00	299555	Fly-A-Way Sandbag - Orange	.25	39.00
299553	25 lb. Sandbag - Cordura - Black	25	39.00	299607	MatthBag - Orange	.50	53.00

CUSTOM COLORS & SIZES AVAILABLE UPON REQUEST

DIMENSIONS of UNFILLED SANDBAGS

5 lb. / 17"L x 5-1/2"W | 15 lb. / 20-1/2"L x 10-1/2"W | 25 lb. / 22"L x 14-1/2"W | 35 lb. / 26-1/2"L x 14-1/4"W | 50 lb. / 30-1/2"L x 14-1/2"W

Boa Bags®

Matthews introduces a new concept to a well established piece of grip equipment — BOA BAGS. This versatile steel shot bag quickly wraps around the base of any stand column, brace, T-handle, arm or boom. Available in three sizes. Patent Pending.

299886	5 lb. BOA BAGS	5	\$40.00
299887	10 lb. BOA BAGS	10	53.00
299888	15 lb. BOA BAGS	15	70.00

All finish weights are plus or minus 10%.



299877 | SHOT BAG



329040-1 | SOUND BLANKET

Bags & Blankets

Saddle Bags

Matthews uses sanitized sand to prevent algae growth should the bags become damp. Double handle for easy use. Available in Cordura black.

299700	20 lb. Saddle Bag	20	\$34.00
299705	35 lb. Saddle Bag	35	40.00

Shot Bags

Matthews uses steel shot instead of lead to fill these black Cordura bags. Boa Bags and Shot bags are also available with stainless steel filling — call for details.

299877	5 lb. Shot Bag	5	\$40.00
299859	15 lb. Shot Bag	15	65.00
299853	25 lb. Shot Bag	25	87.00

All finish weights are plus or minus 10%.
Please call your Matthews Account Manager for pricing.

Sound Blanket

Sound Blankets with Grommets can be used to blackout a window or hang in a room when added sound insulation is needed. Sound Blankets can also be used to protect equipment during transportation.

329040-1	Sound Blanket with Grommets	5.5	\$69.00
----------	-----------------------------	-----	---------



BAGS & BOXES 8

Boxes & Boards

Apple Boxes

Manufactured of the highest quality 9 ply “Baltic Birch” plywood, Apple Boxes are some of the handiest tools to have on the set or in the studio. Use them for propping or leveling, sitting or standing. Nail Wall Plates to them to hold low angle lighting fixtures and multiple other purposes. They are precisely made, supported in the center, and dimensionally correct. A Full Apple Box is equivalent to two 1/2 Apples, four 1/4 Apples and eight 1/8 Apples (pancake).

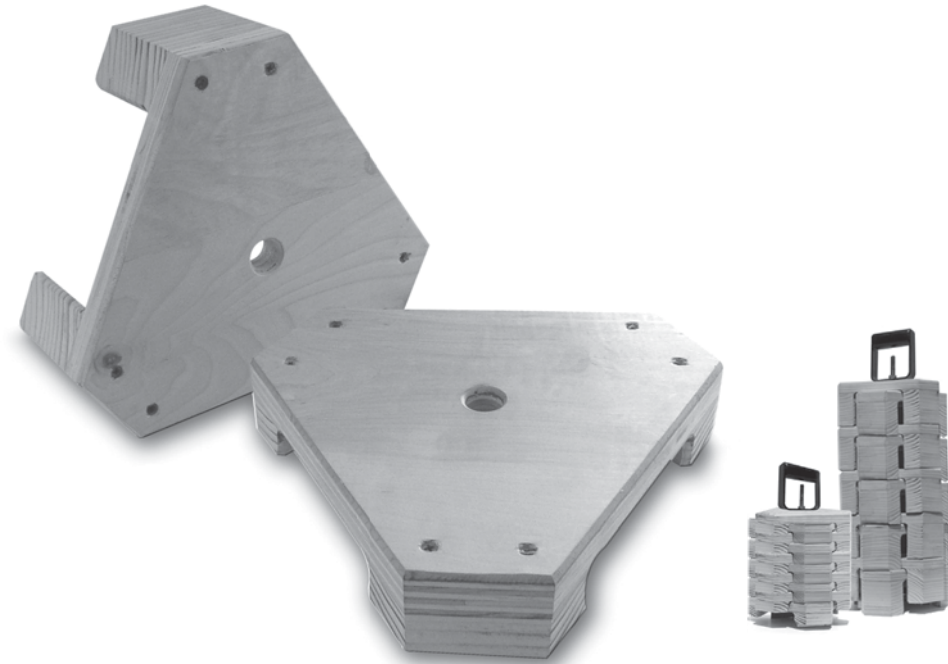
259531	Full Mini Apple Box	12"x 8"x 10"	5	\$38.00
259532	Half Mini Apple Box	12"x 4"x 10"	3.25	38.00
259533	Quarter Mini Apple Box	12"x 2"x 10"	2.25	32.00
259534	Eighth Mini Apple Box	12"x 1"x 10"	2	29.00
259535	Full Apple Box	12"x 8"x 20"	9.5	47.00
259536	Half Apple Box	12"x 4"x 20"	6.25	47.00
259537	Quarter Apple Box	12"x 2"x 20"	4.5	40.00
259538	Eighth Apple Box	12"x 1"x 20"	4.25	31.00

Octagon Board

Need to mount your camera low? And move it often?

Bolt a Hi Hat onto the OCTAGON BOARD, mount your camera directly to the Hi Hat (not included) and get your shot. And when it's time to change camera position, just pick it up — move it over and get back to work!!!

259571	Octagon Board	3.5	\$58.00
--------	---------------	-----	---------



Elephant Blocks™

Take a really abstract approach to an already field-proven design and you get a product with a ‘footprint’ that offers greater stability. Having a larger surface area and three feet, it makes leveling these blocks a whole lot easier! We just couldn’t call it anything else — Elephant Blocks!

Manufactured of highest quality 9-ply ‘Baltic Birch’ plywood, Elephant Blocks replace conventional Basso Blocks. The

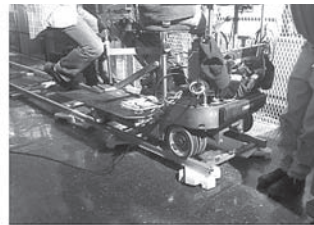
improved design allows them to stack in limitless configurations in 1” increments while accomplishing the same elevating function and support as Basso Blocks – and they occupy less space!

Elephant Blocks... now that's a trunk full!

259568	Elephant Blocks	10 pcs	4" Set w/Handle	\$368.00
259570	Elephant Blocks	10 pcs	2" Set w/Handle	368.00

SOLD IN SETS ONLY!

Elephant Blocks “engineered” to support a lot of weight.



Photos courtesy of Richard Mall.

How to Stack Elephant Blocks





179541 | 18" x 24" SCRIM/FLAG BOX



179563 | 4-PLACE SCRIM/FLAG BOX

Wood Products

Stair Blocks

One of a number of versatile tools for adjusting POV. The effective range of stair blocks is from 1-1/2" to 3" or 4-1/2" in height.

279549 Stair Blocks — Set of 2 3.5 \$105.00

Scrim & Flag Boxes

Scrim and Flag Boxes will hold approximately ten pieces per box. A 4-Place Scrim/Flag Box will hold eight Open End Scrim or four Flags per compartment.

179541	18" x 24" Scrim / Flag Box	16	\$322.00
179548	24" x 30" Scrim / Flag Box	17	344.00
179542	24" x 36" Scrim / Flag Box	21	344.00
179543	30" x 36" Scrim/ Flag Box	22.5	365.00
179563	4-Place Scrim/ Flag Box	61.5	700.00
179554	Castered Base for 4-Place Box	20	374.00

Clip Boards

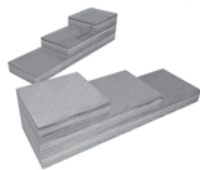
Clip Boards provide another dimension in lighting control. Can be used as an additional leaf on a barn door.

289518	Baby Clip Board	.25	\$19.00
289519	Junior Clip Board	.25	23.00
289520	Senior Clip Board	.75	25.00

Track & Camera Cribbing/Wedges

Track and camera wedges are used to level track and create perfect vertical or horizontal conditions. May be driven into place with the use of a hammer.

399732	2"x 4" Cribbing	.0	\$4.00
399733	1"x 3" Cribbing	.0	4.00
399734	Track Wedge (each)	.50	4.00
399744	Camera Wedge (each)	.25	3.00



279549 | STAIR BLOCKS



289518 | BABY CLIP BOARD



399734 | TRACK WEDGES &
399744 | CAMERA WEDGES

BAGS & BOXES 8



549130 | 4' LADDER

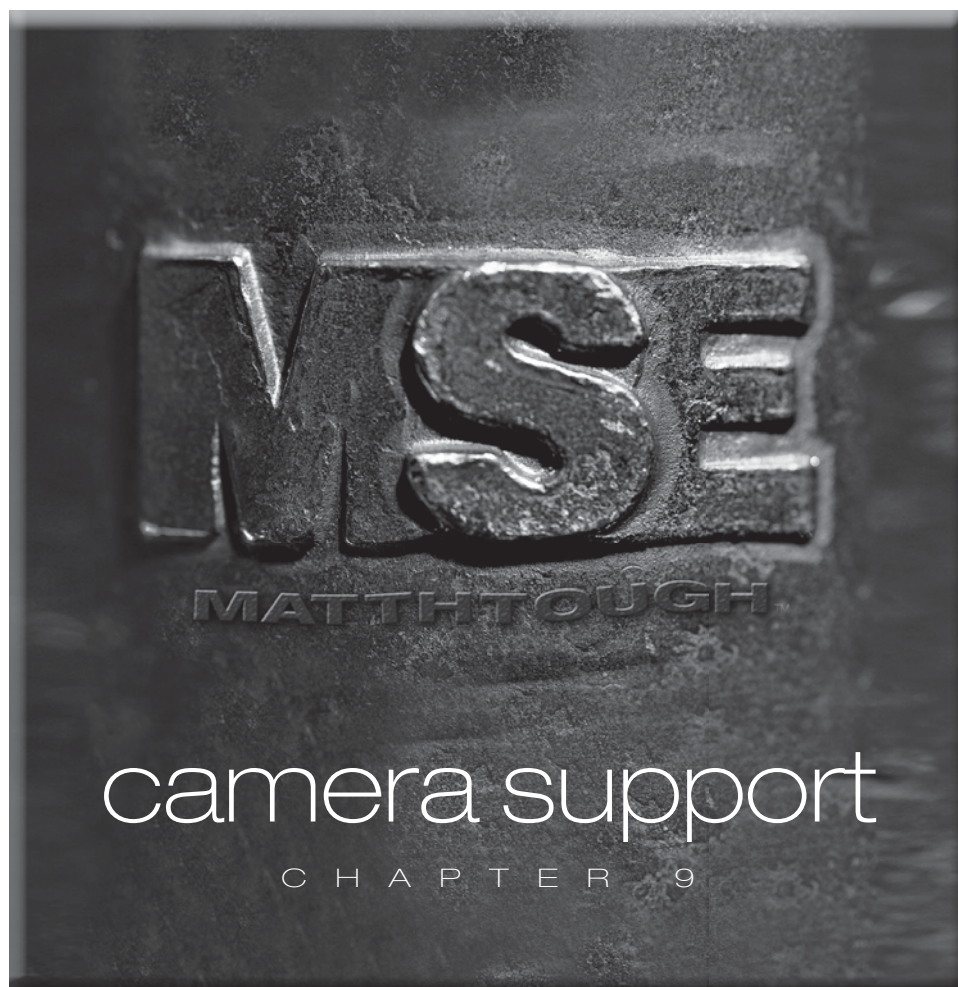
549132 | 8' LADDER

Ladders

All Matthews Ladders are made to the highest standard and have a 300 lb. workload rating. Manufactured in OSHA orange with solid fiberglass channels, these ladders feature 3" wide, anti-skid, serrated aluminum steps that are secured with 6 rivets. All Ladders meet or exceed ANSI or OSHA requirements.

CAUTION: Ladders are a potentially dangerous piece of equipment if not used properly! Please read and heed all caution and warning labels posted on each ladder.

549130	4 ft Double Sided Ladder	22	\$293.00
549135	4 ft Single Sided Ladder	17	219.00
549131	6 ft Double Sided Ladder	27	396.00
549136	6 ft Single Sided Ladder	22	271.00
549132	8 ft Double Sided Ladder	37	499.00
549137	8 ft Single Sided Ladder	34	379.00
549133	10 ft Double Sided Ladder	45	653.00
549138	10 ft Single Sided Ladder	41	499.00
549134	12 ft Double Sided Ladder	65	762.00
549139	12 ft Single Sided Ladder	51	580.00
549129	20 ft. Extension Ladder	60	534.00



*“...designed, engineered and produced to support
the photographer in all of us. Selfies? Not so much!”*



INDY MOUNT™

Great for DSLR, HD, Small ENG, and Action Cameras

The Matthews Indie Mount is an affordable and reliable solution for mounting smaller camera packages to autos, RV's, boats, windows, countertops...virtually any smooth, non-porous surface! The Indie Mount allows the user to securely and safely mount cameras in dozens of places around the exterior and interior of the vehicle. The system uses a combination of MicroGrip technology, Vacuum Cups, one articulating camera mount and our new quick strut triangulating system.

Setting up a car shot with the Indie Mount takes just minutes! Simply mount the main 6" Cup with articulating camera mount, mount your camera, frame your shot, add the support cup and arm, secure your struts and you're off!

The different length Micro Grip rods can be attached via the terminating 1/4-20" threads, giving you a dynamic reach of 4"-32" for the second support cup. The 3" camera riser was included to give you more of a reach when trying to get the camera further away from the car and can also be used as a right angle adapter for that must have profile shot!

415175 | INDIE MOUNT | \$458.00
Supports any camera 8.5lbs (3.9kg) or less

Kit Includes:

- [1] 6" (15mm) Vacuum Cup w/Articulating Camera Mount (w/pad protector)
- [1] 4.5" (11mm) Vacuum Cup w/ 5/8"(1.8mm) Pin (w/pad protector)
- [1] MiniGrip Head
- [1] MicroGrip Head
- [2] 6' (182mm) Triangulating Quick Struts (75lb (34kg) load limit per strut)
- [2] 12" (30mm) MicroGrip Rods
- [1] 8" (20mm) MicroGrip Rod
- [1] 4" (10mm) MicroGrip Rod
- [1] Shoe Adapter
- [1] 3" (7mm) Camera Riser-Right Angle Adapter
- [1] Carrying Bag

Possible POV's:

Hood, Side/Profile, Window, Roof, Wheel, Rear, Interiors, and many more!

Specifications:

Supports any camera 8.5lbs (3.9kg) or less
Kit Shipping Weight: 6lbs (2.7kg)
Kit Shipping Dimensions: 10"x10"x10" (25mm x 25mm x 25mm)
1-Year Warranty

Made in the USA





Pictured below are just some of the many possible configurations using Matthews Car Mount Systems utilizing both Vacuum Cups and Matthews hardware.

It's all up to your imagination; We just complement it!

415168 | PRO MOUNT SYSTEM

Car Mount Systems

Matthews Car Mount Systems integrates MICROgrip technology along with the recently introduced Matthews family of Ball Heads to provide the professional camera person a very strong, versatile and reliable system for mounting cameras to automobiles, trucks, boats, trains and even low flying airplanes.

The PRO Mount System will accommodate camera packages up to 26 pounds (12kg) using the Matthews BH-20 Ball Heads and a series of three Vacuum Cups and MICROmount grip heads and rods. The MASTER Mount System will handle camera loads up to 40 pounds (18kg) and is based on the Matthews BH-30 Ball Head mounted on a 10" Vacuum Cup and two 6" Vacuum Cups integrated with the MICROgrip supporting components to ensure solid and steady imaging.

415168 | Pro Mount System | \$672.00
26lbs. (12kg) Capacity

Includes: [1] BH-20 w/Dove Tail & [1] 6" Vacuum Cup, [1] 6" Vacuum Cup w/5/8ths pin, [1] 4.5" Vacuum Cup w/5/8ths pin, [1] Hot Shoe Adapter, [1] 8" Micro Grip Rod, [2] 20" Micro Grip Rods, [2] Mini Grip Heads, [2] Micro Grip Heads, Carrying Bag & Instructional Video.

3/8" Rods available. See page 158 for details.



View Matthews Car Mount



Systems Video @ msegrip.com



415169 | MASTER MOUNT SYSTEM

Car Mount Systems (cont'd)

Set up with the Matthews Camera Mount Systems is quite easy and after just a few experiences you will be able to place any camera, in any position within 5-10 minutes with excellent stability and crisp images. As with any situation where the camera is mounted to a moving vehicle, Matthews recommends that you always use auxiliary straps (not included in the system) to secure your camera for safety purposes.

415169 | Master Mount System | \$893.00
40lbs. (18kg) Capacity

Includes: [1] BH-30 w/Dove Tail Plate & [1] 10" Vacuum Cup,
[1] Hot Shoe Adapter, [4] 20" Micro Grip Rods, [2] Micro Grip Heads,
[2] Mini Grip Heads, [2] 6" Vacuum Cups w/5/8ths pins,
[1] 8" Micro Grip Rod, Carrying Bag & Instructional Video.

3/8" Rods available. See page 158 for details.



View Matthews Car Mount



Systems Video @ msegrip.com



Ricky RODS™ & FREEDOM Car Mount System™

Ricky RODS

No more cutting tube and wasting time during a shoot – now that Ricky Rods are here. While this unique rod support was specifically designed for car mount rigging, they can easily be used for a wide variety of applications. Machined out of 304 stainless steel, these rods come in 10" increments and are extremely strong because they can be screwed together with 1/2-13 steel male and female threads. Highly adaptable – they easily work with all other 5/8" rigging hardware. Setting up a car shot with the Indie Mount takes just minutes! Simply mount the main 6" Cup with articulating camera mount, mount your camera, frame your shot, add the support cup and arm, secure your struts and you're off!

FREEDOM Car Mount System

Want to mount a heavier cinema camera on a car, truck, boat or any non-porous surface? No problem – now that MSE's Freedom Car Mount System is here. It's really the creative options that make this car mount different. A 360 degree rotating grip head is secured to your foundation with a 10" vacuum cup, cheese plate and MSE's new Ricky Rods. The swivel head easily slides across two of the Ricky Rods for easy positioning. In addition to rotating 360 degrees, this set up allows for a 90-degree swivel. The quick heads are easily and quickly secured because the large T-handle secures both the head and the opposite receiver simultaneously. The package also includes 6" vacuum cups, 2.5" grip heads, and the new quick struts for extra stability and safety.

415177 | FREEDOM Car Mount System | \$1627.00

System Includes:

- 10" Vacuum Cup w/ Swivel Head & Swivel Head Camera Mount
- [2] 6" Vacuum Cups w/ baby pin, [8] Ricky Rods
- [2] Right-Angle Ricky Rods, [2] 2.5" Quick Heads
- [2] 2.5" Standard Grip Heads, [2] 5/8" Baby Pins & [2] Quick Struts

Ricky Rods

- 415178 | 10" Ricky Rod | \$29.00
- 415179 | Right-Angle Ricky Rods | \$55.00

For more information on available accessories see
SHOWCASE, Chapter 1 pages 21 and 22.





Brauer Hostess Tray Kit™

Wanting to get that profile/hostess tray shot and have a place for your coffee and donut at the same time? With the window up while shooting sound or down for some fresh air, or up and down during the take, the Brauer Hostess Tray is the only tray that will do both. The Brauer Hostess Tray will allow you to do all of that and mount nearly any camera package or even a gimbal stabilization system safely and securely in less than 5 minutes. In minutes, the 12"x 14" aluminum cheese plate slips between the window and door of nearly any vehicle and securely ties it to the side of the car with vacuum cups, 5/8" Rods, grip heads and quick struts. In addition, the door can be opened and closed without restrictions, a real convenience for your talent and if you have any mechanical aptitude at all, you can use the ingenious design of the Brauer Hostess Tray to jimmy the door and jack the car. Another first from MSE.

429483
Brauer Hostess Tray (only)
\$495.00

429482
Brauer Hostess Tray Kit
\$1101.00



KIT COMPONENTS:

- Brauer Hostess Tray
- [2] 5/8" Pins w/nuts & washers
- [6] Ricky Rods
- [2] Quick Heads
- [2] Grip Heads &
- [2] Quick Struts





415174 | MAGIC RISER



Magic Riser

Extendable. Versatile. Precise.

Matthews MAGIC RISER is the latest addition to the Car Mount series of products. The Magic Riser will allow you extended flexibility to your camera positioning that other car mount systems do not offer.

In addition, Magic Riser allows you a full 9" to 14" of travel to precisely position the camera in almost any desired position and the Magic Riser works with both the Matthews 6" and 10" vacuum cups as well as other suction cups with a 3/8" male thread.

Adding the Magic Riser to your car mount system will upgrade your system to the most versatile in the market.

415174 | Magic Riser | \$179.00

Weight: 1.5 lbs. (.7kg)
Minimum length: 13" (33cm)
Maximum length: 17" (43cm)

View The Magic Riser



Video @ msegrip.com



Ball Head Camera Mounts

Ball Heads

Unlike most other ball head mounts which are manufactured from die cast components, Matthews Ball Head Camera Mounts are individually CNC machined from solid bar stock to ensure precise control over all critical dimensions and elements.

A precision machined camera quick release plate with a balancing feature offers quick, safe and positive-locking of the camera to the Ball Head Mount. The mounting plate can stay permanently attached to the camera thus avoiding the hassle of trying to screw the camera onto the ball or screwing the ball onto the camera. All heads mount either to the vacuum cup or other devices with 3/8" - 16 mounting threads for extra strength and security.

	WEIGHT CAPACITY	
BH-20 BALL HEAD (sold separately)	26.4lbs (12kg)	\$159.00
BH-30 BALL HEAD (sold separately)	39.6lbs (18kg)	179.00

Ball Head w/ Vacuum Cups

The Matthews Ball Head Camera Mount is available in two different sizes to accommodate particular camera weights. When using the Matthews Ball Head Camera Mount on a moving vehicle, be certain the system is well stabilized and supported.

	WEIGHT CAPACITY	
427015 BH-20 BALL HEAD Assembly w/6" Vacuum Cup	26.4lbs (12kg)	\$261.00
427016 BH-30 BALL HEAD Assembly w/10" Vacuum Cup w/Cheese Plate	39.6lbs (18kg)	373.00



415173 | BABY BALL HEAD ADAPTER

Baby Ball Head Adapter

Strong. Sleek. Versatile.

Another creative innovation from the Matthews design team; The Baby Ball Head Adapter. Constructed as one-piece out of 6061 T-6 Aluminum, this strong, sleek-looking adapter converts any 5/8" Baby Pin or 1-1/8" Junior Receiver into a 3/8-16" Threaded Spud.

This new adapter will allow the user to mount a ball head to any stand or piece of hardware, be it a Mafer Clamp, Pipe Clamp, Matthellini, Baby Stand, Junior Stand or one of many other pieces of hardware.

Use this adapter with one of the MSE family of Ball Heads or any other ball heads with a 3/8" threaded hole to mount your camera in almost any location.

415173 | Baby Ball Head Adapter | .5 lbs. (.23kg) | \$41.00

View Video Demonstration  @ msegrip.com



Rover

Smartphone imaging, especially video imaging, is problematic due primarily to difficulties associated with holding, stabilizing, and maneuvering smartphones consistently in a manner suitable for image capture. The Rover provides the shooter with a comfortable, stable, and sustained hold around the perimeter of a smartphone and the capability to mount professional accessories.

For more information see SHOWCASE Chapter 1 Page 32 or search Rover at msegrip.com

350640 | Rover | See Website for Pricing



CAMERA SUPPORT 9



FIGURE 1

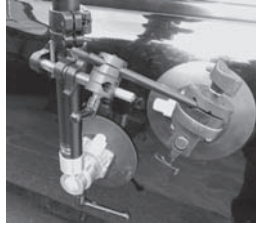


FIGURE 2

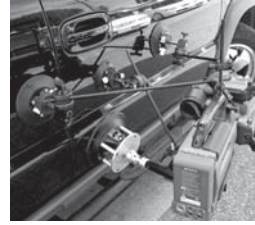


FIGURE 3

Car Mount Accessories

Super charge your Car Mount System with these accessories!

Figures 1&2 — Pro Mount System 415168 used with: Magic Riser 415174, Mini Matthellini 420112-s15, Mini Grip Head 350584, MICROgrip Head 350604, 6" MICROgrip Rod 350602-6, (2) 20" MICROgrip Rods 350602-4, and 6" Vacuum Cup w/ 5/8" Pin 427000

Figure 3 — Master Mount System 415169 used with: Magic Riser 415174, Mini Matthellini 420112-S15, Mini Grip Head 350584, MICROgrip Head 350604, and 4.5" Vacuum Cup w/ 5/8" Pin 417026

MICROgrip 3/8" Solid Aluminum Black Rod is designed for the 3/8" Grip Gear. The 3/8" MICROgrip Rods come in two different terminating ends, 3/8" Male and 1/4"-20 female and both feature a smooth flat black anodized finish. The MICROgrip rods and heads can be used for camera rigs whenever a smaller lightweight rig is preferred. They are also ideal for table top photography. 3/8" to 3/8" Coupler: If connecting two 3/8" male end rods to gether, you will need a 3/8" to 3/8" coupler.



420112-S15
MINI MATTHELLINI*
\$53.00



350604
MICROGRIP HEAD
1.25" (32mm)
\$43.00



350614
HOT SHOE ADAPTER
3/8" to 1/4"
\$31.00



350584
MINIGRIP HEAD
\$29.00



350635
3/8" to 3/8" COUPLER
\$6.00



MicroGrip 3/8" Solid Aluminum Black Rod w/3/8" Male Thread



MicroGrip 3/8"-16 Aluminum Black Rod w/1/4"-20 Female Thread



350602-4 20" (510mm) Rod w/1/4"-20 Female Thread \$13.00



350602-7 20" (510mm) Rod w/3/8"-16 Male Thread \$16.00



350602-3 12" (304mm) Rod w/1/4"-20 Female Thread \$11.00



350602-8 12" (304mm) Rod w/3/8"-16 Male Thread \$14.00



350602-2 8" (203mm) Rod w/1/4"-20 Female Thread \$9.00



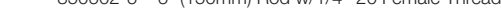
350602-9 8" (203mm) Rod w/3/8"-16 Male Thread \$12.00



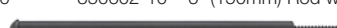
350602-6 6" (150mm) Rod w/1/4"-20 Female Thread \$8.00



350602-10 6" (150mm) Rod w/3/8"-16 Male Thread \$11.00



350602-5 4" (101mm) Rod w/1/4"-20 Female Thread \$7.00



350602-11 4" (101mm) Rod w/3/8"-16 Male Thread \$9.00

CAMERA SUPPORT 9



427016 BH-30 | BALL HEAD ASSEMBLY
W/10" VACUUM CUP W/CHEESE PLATE

427015 BH-20 | BALL HEAD ASSEMBLY
W/ 6" SUCTION CUP

Camera Support - Vacuum Cups & Accessories

Ball Head Camera Mount

Unlike most other ball head mounts, which are manufactured from die cast components, Matthews Ball Head Camera Mounts are individually CNC machined from solid bar stock to ensure precise control over all critical dimensions and elements.

A precision machined camera quick release plate with a balancing feature offers quick, safe and positive-locking of the camera to the Ball Head Mount. The mounting plate can stay permanently attached to the camera thus avoiding the hassle of trying to screw the camera onto the ball or screwing the ball onto the camera. All heads mount either to the suction cup or other devices with 3/8"-16 mounting threads for extra strength and security.

The Matthews Ball Head Camera Mount is available in two different sizes to accommodate particular camera weights. When using the Matthews Ball Head Camera Mount on a moving vehicle, be certain the system is well stabilized and supported.

427015	BH-20 BALL HEAD Assembly w/6" Vacuum Cup	26.4lbs(12kg)	\$261.00
427016	BH-30 BALL HEAD Assembly w/10" Vacuum Cup w/Cheese Plate	39.6lbs (18kg)	373.00
BH-20	BALL HEAD (sold separately)	26.4lbs (12kg)	159.00
BH-30	BALL HEAD (sold separately)	39.6lbs (18kg)	179.00

Articulated Camera Mounts

These 4-1/2" and 6" pump cup mounts have been designed specifically to fit into those tight, hard-to-reach spaces. The articulated camera mount gives you added flexibility when positioning your lights and cameras on most nonporous surfaces like car hoods and doors.

427005	Pump Cup — 4.5" Vacuum Cup with Camera Mount	1	\$157.00
427006	Pump Cup — 6" Vacuum Cup with Camera Mount	2.25	160.00



427006 | 6" PUMP CUP
W/CAMERA MOUNT



427005 | 4.5" PUMP CUP
W/CAMERA MOUNT

CAMERA SUPPORT 9



417023 & 427000



417020 & 417024



417010

Camera Support | Vacuum Cups & Accessories

Vacuum Cups

The 10" Pump Cup is a heavy-duty style vacuum cup. Pump until the red marker disappears to create an amazing bond to nonporous surfaces, like car hoods and doors. Use in conjunction with the 4-Way Tilt Plate for interesting camera angles. Also use a camera tie down strap to ensure proper safety precautions. Should you require a smaller vacuum cup for mounting your lights or camera, then the new 4-1/2" cup is recommended to fit into those tight places when either the 10" or 6" vacuum cup is too large.

417023	Pump Cup — 10" Vacuum Cup	6	\$ 200.00
427000	Pump Cup — 6" Vacuum Cup with 5/8" Pin	1.25	113.00
427018	Pump Cup — 10" Vacuum Cup with Cheese Plate	5	250.00
417026	Pump Cup — 4.5" Vacuum Cup with 5/8" Pin	1	75.00
6049/100	Pump Cup — 6" Vacuum Cup with 3/8" Thread	1	125.00
7000	1/4-20 Female to 5/8" Pin	.25	9.00

4-Way Tilt Plate

A compact camera mounting unit with tilt adjustment in two planes. It will allow the camera to be inverted 180°. The base has a series of holes for mounting, or it can be mounted with a C Clamp or 10" vacuum cup as shown.

417010	10" Cup w/4 Way Tilt Plate + Mounting Kit	5	\$ 944.00
417020	4-Way Tilt Plate w/Allen Wrenches	5	606.00

Mounting Kit

Includes 4 posts to mount the 4-Way Tilt Plate to Matthews Catalog 417023 10" Vacuum Cup.

417024	Mounting Kit	.25	\$ 85.00
--------	--------------	-----	----------



427018 | 10" VACUUM CUP W/CHEESE PLATE



417010 | 10" CUP W/4-WAY TILT PLATE + MOUNTING KIT

CAMERA SUPPORT 9



415166 | HOOD MOUNT KIT (SPEED RAIL NOT INCLUDED)



415167 | SIDE MOUNT KIT

Car Mount Rigs

Purchased separately or in kits, Matthews' Car Mount Systems are of traditional heavy-duty construction for guaranteed secured performance. Any number of heads will mount on the system.

Hood Mount Kit

The Hood Mount Kit will also work as a rear deck, roof and wheel mount. The kit includes:

- 1 - Low Profile Leveling Head
- 1 - Slide Plate
- 2 - Work Horse Clamps
- 4 - Standard Screw Jacks with Large Leveling Pads
- 4 - Extended Screw Jacks with Large Leveling Pads
- 5 - Tie Down Safety Straps
- 2 - Baby Grid Clamps
- 2 - Junior Grid Clamps
- 4 - 90° Clamps
- 2 - Swivel Clamps

415166 Hood Mount Kit 119 \$3300.00

Side Mount Kit & Bracket Assembly

The Side Mount Kit includes:

- 1 - Side Mount Bracket Assembly,
- 1 - Low Profile Leveling Head
- 2 - Tie Down Safety Straps
- 4 - Screw Jacks with Small Leveling Pads

415167	Side Mount Kit (Hostess Tray)	42	\$2020.00
735161	Bracket Assembly Only	30	1122.00





425153 | WORK HORSE CLAMP



425160 | SWIVEL GRID CLAMP



425157 | BABY GRID CLAMP



425158 | JUNIOR GRID CLAMP

Camera Support

Work Horse Clamp

425153 Work Horse Clamp 9.5 \$315.00

Swivel Grid Clamp

Virtually unbreakable when the ultimate in strength is required. Exceeds tensile strength @16,000 lbs.

425160 Swivel Grid Clamp 5 \$40.00

Baby Grid Clamp - Little Ben Clamp

Made to clamp securely on overhead grids, car rigs or camera car rails for mounting light fixtures. The Baby Grid Clamp can also be inverted with the pin mounting into a Grip Head for spanning pipe between two stands. Exceeds tensile strength @ 16,000 lbs.

425157 Baby Grid Clamp 2.75 \$59.00

Junior Grid Clamp

For mounting larger lighting fixtures securely to overhead grids, car rigs, or camera car rails. Exceeds tensile strength @ 16,000 lbs.

425158 Junior Grid Clamp 3.5 \$65.00

Right Angle Grid Clamp 90°

Exceeds tensile strength @17,000 lbs.

425159 Right Angle Grid Clamp (90 degree) 5 \$33.00

Tie Down Safety Straps & Leveling Pads

735156 Tie Down Strap (5') — Adjustable	5	\$50.00
6111/100 Leveling Pad — Small	.25	20.00
6084/100 Leveling Pad — Large	1.5	45.00

Screw Jack Set

425154 Screw Jack Set — Standard (set of 4 - 9") w/Leveling Pads	2.25	\$337.00
425155 Screw Jack Set — Extended (set of 4 -15") w/Leveling Pads	3	366.00

Leveling Pads found above.



425159 | RIGHT ANGLE GRID CLAMP



6111/100 | SMALL & 6084/100 | LARGE LEVELING PAD



735156 | TIE DOWN SAFETY STRAP (5') ADJUSTABLE



425155 | EXTENDED & 425154 | STANDARD SCREW JACKS

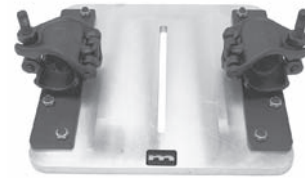
CAMERA SUPPORT 9



415151 | LOW PROFILE 4-WAY LEVELING HEAD



415165 | 2-WAY TILT PLATE



735152 | SLIDE PLATE

Camera Support

Low Profile Leveling Head

415151 Low Profile 4-Way Leveling Head 12 \$1145.00

Low Profile Mitchell Tie Down

Matthews Low Profile Mitchell Tie Down works with all Mitchell Fluid Heads including O'Connor, Cartoni and Vinten. The profile is 1/3 the size of most other tie downs without compromise to strength and is ergonomically designed to fit your hand. The Mitchell Tie Down has a diameter of 3.5" with a thread size of 3/8" male.

1062-3 Low Profile Mitchell Tie Down 1 \$130.00

Slide Plate & 2-Way Tilt Plate

735152	Slide Plate	16	\$266.00
415165	2-Way Tilt Plate	9	549.00

High Hats

815510	Mitchell High Hat	5.5	\$485.00
815515	High Hat 100mm Claw Ball	3.5	408.00
377715	High Hat 150mm Claw Ball	4.0	408.00
845120	Elemac Adapter 100mm Bowl	3.3	469.00
845122	Elemac Adapter 150mm Bowl	3.3	561.00
5028	Mitchell Top Plate	2.5	230.00
1880	Mitchell Camera Nut	.5	77.00



1062-3 | LOW PROFILE MITCHELL TIE DOWN



5028 | MITCHELL TOP PLATE



1880 | MITCHELL CAMERA NUT



377715 | HIGH HAT 150MM CLAW BALL



815515 | HIGH HAT 100MM CLAW BALL



815510 | MITCHELL HIGH HAT



845120 | ELEMAC TO 100MM BOWL



Camera Support

Camera Risers

Camera Risers, commonly known as High Hats, raise the camera and head a fixed distance off the dolly or support piece. The units have Mitchell mounting configurations on both top and bottom. Standard heights available are 6" and 12". Other heights available on special order.

417006	Mitchell Camera Riser 6"	9.75	\$642.00
417012	Mitchell Camera Riser 12"	11	642.00
395329	Mitchell Camera Riser	3	408.00

Available w/Elemac or Mitchell Adapters

Mini Mitch Leveling Head

Mitchell Mini or Mini Mitch, as it is sometimes called, is the smallest and lightest leveling head we know. The mini is only 6-1/2" (16.6cm) in diameter by only 2" (5cm) high with 1/2" (12mm) of adjustment from the level position. Mini Mitch weighs only 3.5lbs (1.6Kg) and is ideal for car mounts or other set ups where space and or weight are considerations. The top Mitchell female plate has four receiving slots for the Mitchell male component and is designed with the very fast low profile unique mounting plate weighting only 1.3lbs (.6Kg). Sold as a set. Mini Mitch can also be used with flat plate mounts using a 3/8 bolt and/or the mounting plate from the Lazy Suzy...see page 166.

415064	Mini Mitch Leveling Head	3.4	\$1173.00
415065	Mini Cheese Plate Leveling Head	3.4	1150.00



415064 | MINI MITCH LEVELING HEAD



415065 | MINI CHEESE PLATE LEVELING HEAD

4-Way Leveling Head

Knurled screws allow the positioning of the camera platform to be perfectly level in two planes and adjustable within plus or minus one inch with Mitchell configuration, otherwise please specify Elemac thread for mounting.

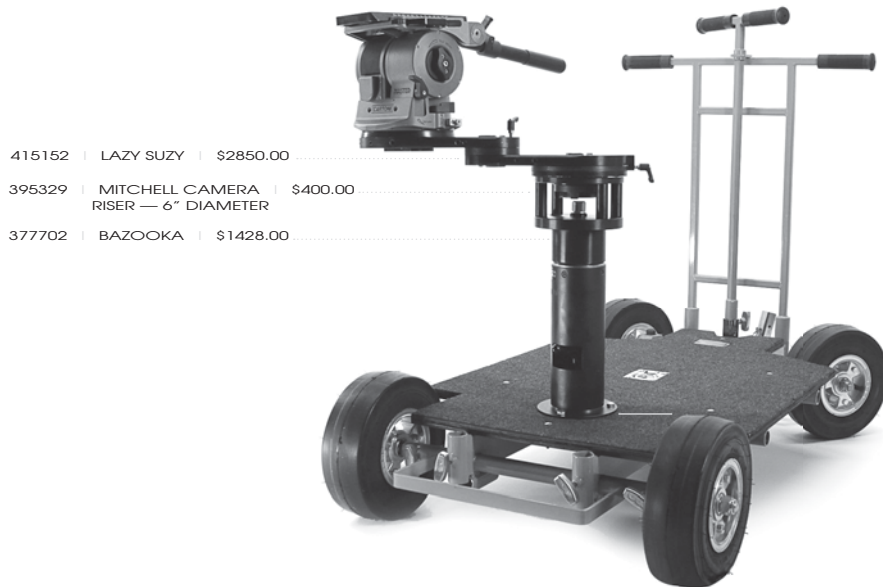
415063	4-Way Leveling Head w/Mitchell Mount	18	\$1088.00
395063	4-Way Leveling Head w/Flat Mount	18	918.00
725063	4-Way Leveling Head with Elemac Mount	18	1097.00

Claw Ball to Mitchell Flat Base Adapter 100mm

815121	Claw Ball to Mitchell Flat Base Adapter	4	\$612.00
--------	---	---	----------

Adapters

515021	Elemac to Elemac Adapter	4	\$419.00
515024	Elemac to Mitchell Adapter	11.5	419.00
515025	Mitchell to Elemac Adapter	6.5	344.00



- 415152 | LAZY SUZY | \$2850.00
- 395329 | MITCHELL CAMERA RISER — 6" DIAMETER | \$400.00
- 377702 | BAZOOKA | \$1428.00

Bazooka

The Bazooka, while being used either 'freestanding' or in conjunction with any other camera dolly, reveals a myriad of creative imaging possibilities when using the Elemac mounting plate and a variety of side arms and adapters as shown below. The Matthews Bazooka offers a wide-range of camera mount configurations, all at very affordable prices.

The Matthews Bazooka is based on the international industry standard Elemac mounting system. Lightweight and easily mounted to any Matthews Doorway Dolly with just three bolts, the Matthews Bazooka adjusts from 24" (61cm) to 39-1/4" (100cm). Matthews Doorway Dolly (shown) provides a particularly stable platform for camera packages up to 100lbs. (45Kg.).

377702 | Bazooka | \$1457.00



515024
ELEMAC TO MITCHELL
ADAPTER
\$419.00



515021
ELEMAC TO ELEMAC
ARM
\$419.00



515003
ELEMAC MOUNTING PLATE
COMPLETE W/HEAVY-DUTY
BACKING PLATE
\$203.00



377702
BAZOOKA
\$1457.00

395326
MINI BAZOOKA
\$417.00



Lazy Suzy™

Quick and Secure Camera Positioning, Matthews Articulated Double-Swivel Camera Platform...

The Matthews Lazy Suzy provides the cinematographer/videographer with more creative opportunities through the use of an articulated double-swivel platform. This heavy-duty camera positioning device allows you to place the camera anywhere within a 25" diameter circle without having to reposition the dolly, tripod, or car mount rig.

The camera can be secured firmly for traveling shots, process trailers, or lock-off shots with the series of strategically placed 1/4" and 3/8" tapped holes. The Lazy Suzy will support camera packages up to 70lbs (30kg). Additional accessories and adapters are available, making the mounting possibilities limitless.

415152 | LazySuzy | \$2850.00

SPECIFICATIONS

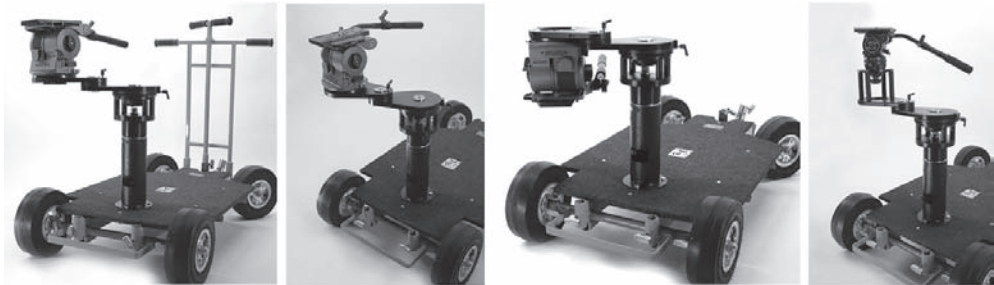
Weight Capacity at Full Extension: 70lbs (30kg) | Diameter Parameters: 0"-25" infinite increments
 Unit Height (Base to Top) w/o Mitchell Riser: 2.75" | Unit Height (Base to Top) w/Mitchell Riser: 5.25"
 Unit Weight w/ Mitchell Riser: 13lbs | Unit Weight w/o Mitchell Riser: 11lbs | Package Shipping Weight: 17lbs
 Shipping Package dimensions: 11"x11"x11"

LazySUZY KIT includes:

- Lazy Suzy Swivel Platform "Mitchell Base/Top"
- Mitchell Nut & Spanner Wrenches (2)
- 2" Riser Posts w/Mounting Screws (4)
- Mitchell Top, Flat Base Adapter w/Set Screws
- Fluid Head Tie Down



CAMERA SUPPORT 9

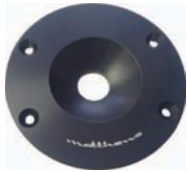


Lazy Suzy shown mounted on Matthews Round-D-Round Doorway Dolly w/Bazooka.

Bazooka & Lazy Suzy Accessories

ADDITIONAL ACCESSORIES

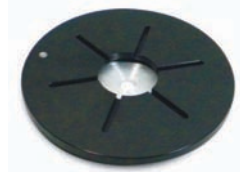
- Mini Mitchell 4-Way Level Head (not shown)



12065-02 | 75-100MM BOWL ADAPTER



377714 | 150MM BOWL ADAPTER



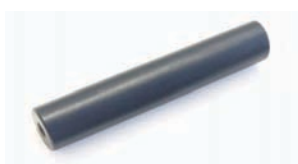
337710 | MITCHELL TO SACHTLER ADAPTER



395329 | ELEMAC TO MITCHELL ADAPTER/RISER



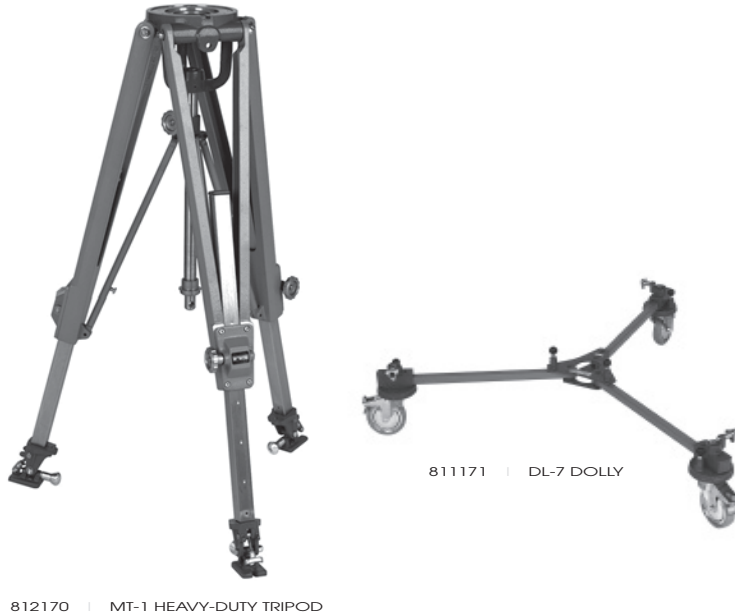
1880 | MITCHELL NUT



20000-10 | 5" RISER POST (4 REQUIRED)



429779 | 3/8" THREAD TO 5/8" BABY



Heavy-Duty Tripods

MT-1 Heavy-Duty Tripod

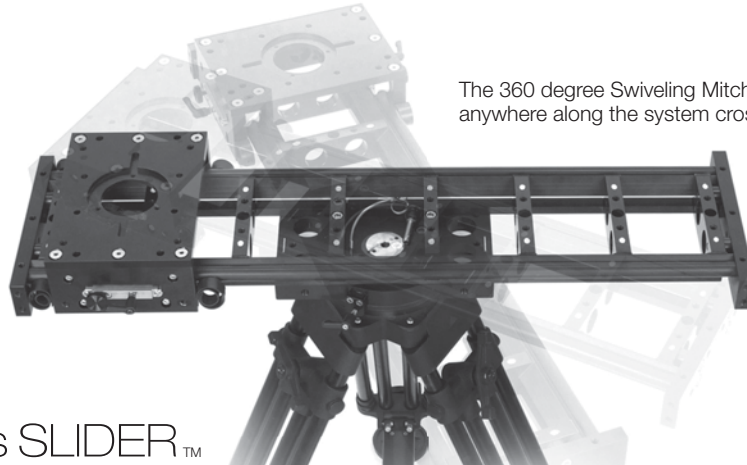
The time-proven, favorite, heavy-duty tripod for location videography with heavy camera and lens packages. Nearly every sports remote broadcast, — including auto racing, baseball, football, and wrestling — depends on the MT-1 for the firm, stable platform required for ‘whip’ pans and other rapid camera movements with no tripod jitter, twist or swaying. Camera mobility can be achieved by using the DL-7 Dolly. Additionally, the MT-1 can be mounted to the Doorway Dolly for either track or surface running. Leveling the MT-1 has been simplified by placing the leveling bubble in the center post. The MT-1 now offers a new and improved braking system, furthering its handling and stabilizing capabilities.

The MT-1 has proven itself over the years in camera, microwave dish and other electronic device support with a load capacity of 265lbs. and an operating range of 25” to 44”.

812170	MT-1 Heavy-Duty Tripod Motion Picture Mitchell Mount Load Capacity 265Lbs. (125kg)	34	\$3321.00
812175	MT-1 Heavy-Duty Tripod TV Style Mitchell Mount Load Capacity 265Lbs. (125kg)	34	3321.00
811171	DL-7 Dolly w/Casters	28	2015.00

The Matthews MT-1 Heavy-Duty Tripod has become the recognized leader in supplying mobile production trucks with strong, sturdy and robust camera support. Used at sporting events of all types throughout the world, the MT-1 HD Tripod system will accommodate over 265 pounds (125kg) and produces ‘whip’ pans without any vibration or bounce.





The 360 degree Swiveling Mitchel Base can be mounted anywhere along the system cross members.

Matthews SLIDER™

A Strong, Silent, Swiveling, and Modular Camera Slider

Matthews Studio Equipment complements your creativity with Matthews Slider a camera platform that is extremely sturdy and lightweight – owing to its innovative open frame construction. It is both camera operator and grip friendly, being virtually maintenance free (just keep it clean) and totally field adjustable with few basic tools: one 7/16"

open wrench and a set of Allen wrenches. The Matthews Slider comes in three basic sizes 29", 35" and 45" (74cm, 89cm & 114cm) but is also available in many custom lengths in 4.75" (12cm) increments between cross members up to 12' (366cm). Each foot/track adds approximately 3 lbs (1.4kg).

377742
Matthews **SLIDER**29"
\$4950.00

377743
Matthews **SLIDER**35"
\$5300.00

377744
Matthews **SLIDER**45"
\$5800.00

Matthews Slider | More information: See Chapter 1 Showcase pages 28 & 29.

The Slider Stand™

The Slider Stand meets the demand for a strong, wide based stand with a low working height for those using camera sliders and Speed Rail/Pipe Dolly Systems. It comes standard with two rocky mountain legs for easy leveling on hills, mountain sides, rocky environments, stairs and most other uneven terrain. As a comparison, the Slider Stand minimum working height measures one foot (30cm) lower than the standard low boy combo, giving the camera operator a POV range from hip to eye level. And those Anodized Aerospace inspired designed braces — *They just look really neat!*

249561 | The Slider Stand | \$352.00



249561 | THE SLIDER STAND

The Slider Stand | More information: See Chapter 1 Showcase page 25.



427019 | THE WEDGE

The Wedge™ by matthews

The WEDGE is a portable, low POV camera mounting device that ensures fast, stable camera positioning in a variety of situations offering increased, creative filming possibilities. Film, Video or DSLR Cameras are mounted to The WEDGE via a Ball Head, Flat plate mount fluid head and 100mm ball fluid head allowing full camera movements.

Three adjustable legs with floating/self-leveling feet ensure fast, stable positioning of The WEDGE mounted camera. Multiple tapped and untapped holes around the perimeter of The WEDGE allow for the addition of accessories or tie downs. Manufactured from high quality, 6061 T6 Aluminum and finished with flat black anodize, The WEDGE opens up new vistas and visions of creative possibilities...

427019 | The Wedge | \$245.00

BH-30 | Ball Head Camera Mount | \$175.00
12065-02 | 100mm Bowl | \$125.00

AA1020/3X | Stand Offs - 3pcs | \$80.00
AA1019 | Mitchell Mount | \$225.00



THE WEDGE



THE WEDGE W/BH-30
BALL HEAD MOUNT



THE WEDGE
W/100MM BOWL
W/STAND OFFS



THE WEDGE



“...you’re on the right track!”



With a length of 51" (130cm) and a width of 28-1/4" (72cm), Round-d-Round Doorway Dolly will operate through standard-size doorways, and with all-wheel steering it will navigate tight 90 degree corners.

Dollies & Track

Round-d-Round Doorway Dolly™ w/Operators Seat

The Round-d-Round Doorway Dolly from Matthews is the next generation in Doorway Dolly development. Based on the industry-proven designed and engineered Matthews Doorway Dolly, the Round-d-Round model offers all-wheel steering which allows for greater turning flexibility at even a tight 6 foot (2 meter) circle.

The camera operator seat will mount in six different fixed locations. Steering from both ends of the Dolly will allow unlimited camera positioning, as the dolly rolls either on track with Hot Buttons, the Matthews Centipede or on the ground with the standard pneumatic rubber tires. Load capacity is over 1100 pounds (500kg) and the platform is carpeted for a non-slip, low-maintenance surface.

Matthews Doorway Dollies include a welded steel plate on the forward, central area of the underside of the chassis to allow for solid mounting of bazookas and other accessories making them integral with the chassis.

395300
Round-d-Round
Doorway Dolly w/Seat
\$3600.00

*395310
Seat & Riser Assembly
\$365.00

*395302
Junior Offset Arm
\$73.00

***Seat & Offset Arm included w/Dolly. 395315 Shipping Crate Required. \$138.00**

The two self-storing sideboards increase platform width to ensure a firm and stable base for camera support.



With a 6-foot turning diameter, steering from either end of the dolly with either the Push Bar/Pull Bar or just the Pull bar alone creates an economical yet versatile mobile camera platform ideal for stage and location.

VIDEO DEMONSTRATION ON



WEB SITE: MSEGRIIP.COM



395100 | DOORWAY DOLLY

Dollies & Track

Doorway Dolly

Matthews builds the strongest platform dollies in the business! For years the Doorway Dolly has proven its versatility on stage and location. Quick change pneumatic wheels are standard equipment. The Dolly can easily be fitted with Matthews Hot Buttons for use on straight or 20' diameter curved track. The platform is fitted with a recessed camera tie-down and is carpeted for a nonslip, low maintenance surface.

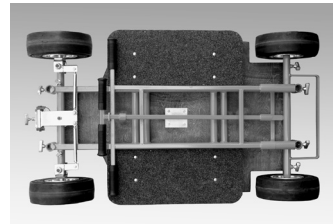
The Doorway Dolly will move through a full range of travel with either the Push Bar or Pull Bar. Load it with gear to get to the location with ease! The platform can be flipped over for even lower camera positioning. Ground clearance is 9" or 3" when inverted. The removable side boards add an extra 10" per side for increased platform width. The wheelbase is 28-1/4" wide and the platform length is 51". Hot Buttons can be easily installed to accommodate standard 24.5" width track. Weight Capacity 800lbs. (363kg).

The Doorway Dolly with Turret provides a 360° swing of both the camera mount and operator with all the functions of the standard Dolly System. Mitchell Mount and single operator seat are standard. Matthews Doorway Dollies include a welded steel plate on the forward, central area of the underside of the chassis to allow for solid mounting of Bazookas and other accessories making them integral with the chassis.

395100	Doorway Dolly	117	\$2652.00
395043	Doorway Dolly with Turret	197	7439.00



395043 | DOORWAY DOLLY W/TURRET



BOTTOM VIEW SHOWS CONVENIENT STORAGE CONFIGURATION



395329 | MITCHELL CAMERA RISER / 6" DIAMETER | \$400.00

Doorway Dolly Accessories

Bazooka | More information: See Chapter 9 Camera Support pages 165 & 167.



515024
Elemac to Mitchell Adapter
\$419.00



515021
Elemac to Elemac Arm
\$419.00



515003
Elemac Mounting Plate
Complete w/Heavy-Duty
Backing Plate
\$203.00



377702
Bazooka
\$1457.00

395326
Mini Bazooka
\$417.00

Elemac Mounting Plates Shown Not Included

Lazy Suzy | More information: See Chapter 9 Camera Support pages 165, 166 & 167.



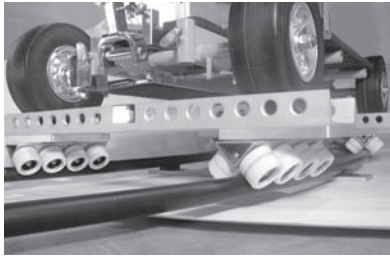
Lazy Suzy KIT includes:
 Lazy Suzy Swivel Platform "Mitchell Base/Top"
 Mitchell Nut, Spanner Wrenches (2)
 2" Riser Posts w/Mounting Screws (4)
 Mitchell Top, Flat Base Adapter w/Set Screws
 Fluid Head Tie Down

The Stand Caddy | More information: See Chapter 1 Showcase page 20.

395334 | The Stand Caddy | \$645.00

When purchased with the Doorway Dolly or Roundy Dolly.....\$550.00.





395201 | CENTIPEDE



395012 | HOT BUTTONS

Doorway Dolly Accessories

The Centipede

A fast efficient way to achieve a smooth dolly track shot. Designed for use with most camera dollies not exceeding 34" in width. Each truck consists of 8 wheels, 32 per set, staggered in position. Wheels are engineered to perform on older, less than perfect track as well as the newer, precision track systems using 1-1/2" diameter rails. The Centipede's wheels will remain round under normal conditions. For maximum performance minimum weight load is 200 Lbs. Maximum load is 1500 Lbs. Dollies not exceeding 46" wheel base will work well with the 10' diameter curve track.

395201	The Centipede — Set of 2	27.5	\$2977.00
395199	The Centipede Case	31.2	1140.00

Hot Buttons

Hot Buttons work beautifully with Matthews #395100, #395300 or #395043 Doorway Dollies. For straight or 20' diameter curve track, steel, aluminum, or PVC pipe, simply remove the locking nut and self-contained wheel and tire from each axle and replace with Hot Button set and nut. Hot Buttons also make a perfect scooter dolly with just two axles and any size ordinary plywood. Matthews Hot Buttons will NOT work with 90 degree, tight radius track. If you are using 90 degree track you MUST use Matthews Centipede PN395201.

395012	Hot Buttons for straight and curved track (Set of 4)	21	\$974.00
--------	--	----	----------

395199 | THE CENTIPEDE CASE





395047 | WESTERN DOLLY

Camera Support — Dollies

Western Dolly

The Western Dolly is a larger, heavier duty platform than the Doorway, with a maximum capacity of 1200 Lbs. (544kg). The wider, longer platform provides an even smoother ride with its larger, wider tires and extended wheelbase. This Dolly can be equipped with a turret as can the Doorway. The turret assembly allows for the mounting of two seats and a complete camera configuration supported by a Mitchell Base. The Western Dolly's Pop-Off wheels allow quick removal and easy storage. The axle is integrated into the wheel assembly to prevent the axle from becoming separated from the wheel upon removal. The wheel base of both is 52" with an overall length of 76". The platform size is 48" wide by 66" long. Total weight capacity is 1200 lbs. (544kg). Tire pressure — 16-22 lbs. Whether used as an equipment transportation vehicle or as a camera platform, the Western Dolly provides reliable, heavy-duty, steady support at a reasonable price. While the configuration of the Western Dolly axle has often been copied by competitors, field observation has proven that none have been successful in matching the strength of the Matthews axle. Because it is impossible to anticipate the manner in which the Dolly will be loaded or the slope of the terrain on which it will be used, Matthews has learned that the capacity of each axle must match the total capacity of the Dolly. *The strongest Dolly of its type in the business.*

395047 Western Dolly complete with Pop-Off Wheels, Push Bar, Pull Handle

270

\$3315.00



POP-OFF Wheels



The Western Dolly fits easily into truck storage area for location transportation



"Reliable, dependable and made to last & last..."





Dolly Track

Matthews manufactures and supplies the industry with both Heavy Wall and Stainless Steel Dolly Track. Heavy Wall is manufactured from 1-1/2" diameter steel tube and is chrome plated to protect it from negative environmental effects. It is slightly less expensive than Stainless Steel track. Stainless steel track does not require plating. Due to the inherent characteristics of the material, it is impervious to the elements. Additionally, all Matthews track now has black cross members.

CAUTION: Matthews does not recommend that the two types of track be used together. The chrome plating used on the Heavy Wall can create size buildup and the finished diameter may be slightly larger. This can create a noticeable "bump" at the joint. Matthews curved tracks are available to complete 10' and 20' diameter circles. Be advised that most dollies will not navigate the 10' circle without the addition of a multi-wheeled device such as the Matthews Centipede #395200.

Four pieces of 90° Curve Track are needed to complete a circle. Eight pieces are required for 20' diameter circle. All Matthews Dolly Track is rated to a maximum payload of 1200 lbs (545kg) at the industry standard of 24.5" center to center track width.



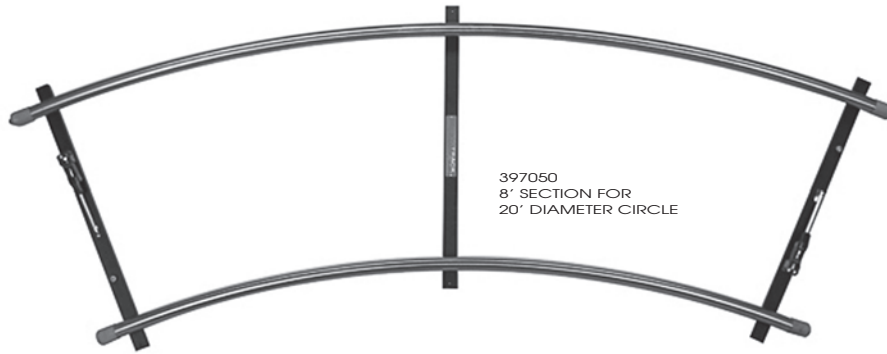
Over Center Latch

399735	Track Straight — 4 Foot Section Heavy Wall	23.5	\$493.00
397055*	Track Straight — 8 Foot Section Heavy Wall	37	597.00
399736**	Track Straight — 10 Foot Section Heavy Wall	45	745.00
397050	Track Curved — 8 Foot Section Heavy Wall — 20' Diameter	30	791.00
397081	Track Curved 90° Tight Radius Heavy Wall — 10' Diameter	21	918.00
397054	Heavy Wall Starter Track	7	298.00
397070	Stainless Steel Track Straight 4 Foot Section	22.5	561.00
397065*	Stainless Steel Track Straight 8 Foot Section	36	867.00
397067**	Stainless Steel 10' Track Straight	40	1085.00
397059	Stainless Steel Curved Track 8 Foot Section — 20' Diameter	30.5	1107.00
397080	Stainless Steel Curved Track 90° Tight Radius — 10' Diameter	23	1122.00
399734	Track Wedges — Each	.50	4.00

*\$15.00 PACKAGING 8' STRAIGHT TRACK

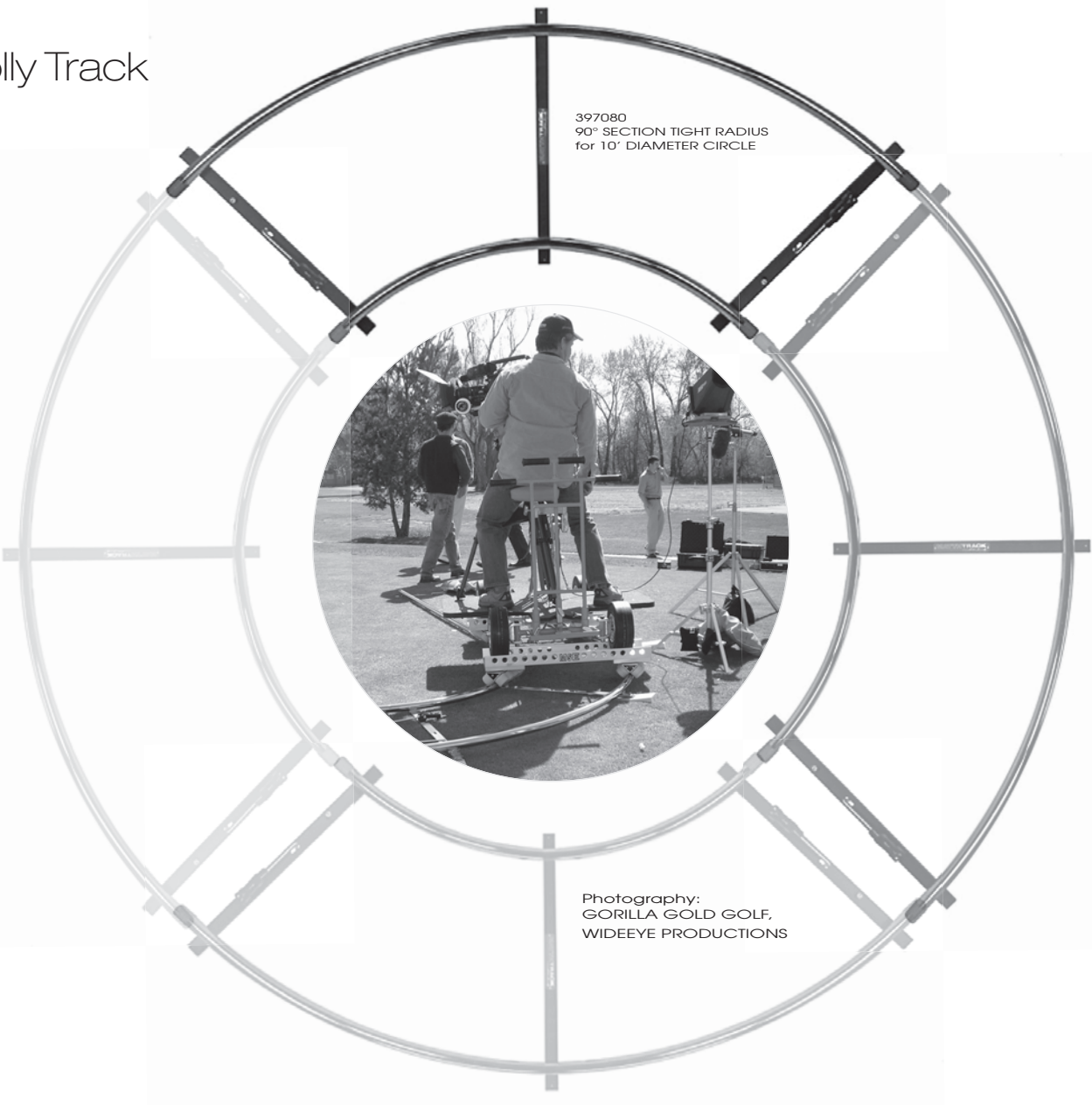
**\$20.00 PACKAGING 10' STRAIGHT TRACK

SPECIAL NOTE: To insure against damage to the product during transit, all Curve Dolly Track must be crated prior to shipment. Please allow 2 working days from receipt of order for crating. Matthews will not be responsible for track shipped without crating.



397050
8' SECTION FOR
20' DIAMETER CIRCLE

Dolly Track



397080
90° SECTION TIGHT RADIUS
for 10' DIAMETER CIRCLE

Photography:
GORILLA GOLD GOLF,
WIDEYE PRODUCTIONS



“...everything in one place!”



622005 | COMBO SCRIM / FLAG SURVIVAL KIT



999004 | C + SURVIVAL KIT

Survival Kits & Packages

Matthews offers several kits and packages to take care of just about any need. The kits come complete with carrying case for easy travel.

Combo Scrim/ Flag Kit

622005 Combo / Scrim Flag Survival Kit 75 \$3111.00

CONTENTS

3	149066	18" x 24" Single Scrims
3	149061	18" x 24" Double Scrims
2	149545	18" x 24" Artificial Silk Diffusers
1	199101	18" x 24" Cello Cucoloris
6	169059	18" x 24" Flags
3	149063	24" x 36" Single Scrim — Black
3	149064	24" x 36" Double Scrim — Black
2	149566	24" x 36" Artificial Silk Diffuser
1	189094	24" x 36" Wood Cucoloris
6	169062	24" x 36" Flags
1	798996	Carrying Case

Hollywood C+ Survival Kit

999004 Hollywood C+ Survival Kit 75 \$2076.00

CONTENTS

2	756140	Hollywood C+ Stand w/Head & Arm
2	429029	Adapters — 1-1/8" to 5/8"
4	299607	Matthbags
2	169042	12" x 18" Flags
2	149052	12" x 18" Single Scrim — Black
2	149058	12" x 18" Double Scrim — Black
2	149043	12" x 18" Artificial Silk Diffuser
1	481307	Carrying Case



999003 | DOT & FINGER SURVIVAL KIT



999001 | FLEX SCRIM SURVIVAL KIT

Survival Kits & Packages

Dot & Finger Survival Kit

999003 Dot & Finger Survival Kit 6 \$1000.00

CONTENTS

2	219063	Dot — 3" Single — Black
2	219066	Dot — 6" Single — Black
2	219610	Dot — 10" Single — Black
2	219073	Dot — 3" Double — Black
2	219076	Dot — 6" Double — Black
2	219710	Dot — 10" Double — Black
1	219083	Dot — 3" Solid
1	219086	Dot — 6" Solid
1	219810	Dot — 10" Solid
1	219093	Dot — 3" Artificial Silk
1	219096	Dot — 6" Artificial Silk
1	219910	Dot — 10" Artificial Silk
2	229722	Finger — 2" x 12" Single — Black
2	229724	Finger — 4" x 14" Single — Black
2	229732	Finger — 2" x 12" Double — Black
2	229734	Finger — 4" x 14" Double — Black
1	229742	Finger — 2" x 12" Solid
1	229744	Finger — 4" x 14" Solid
1	229752	Finger — 2" x 12" Artificial Silk
1	229754	Finger — 4" x 14" Artificial Silk
1	445379	Dot & Finger Pouch

Flex Scrim Survival Kit

999001 Flex Scrim Survival Kit 63 \$2600.00

CONTENTS

3	540001	Hollywood Superflex
3	540004	Super Mafer Clamps
3	209632	Snap in Pins for Mafer 5/8"
2	B429500	Afflac Clamps
1	238120	10" x 12" Single — Black
1	238121	10" x 12" Double
1	238123	10" x 12" Artificial Silk
1	238122	10" x 12" Solid
1	238220	12" x 20" Single — Black
1	238221	12" x 20" Double
1	238224	12" x 20" Artificial Silk
1	238223	12" x 20" Solid
1	999003	Dot & Finger Kit
1	251907	Carrying Case



999005 | MOUNTING HARDWARE SURVIVAL KIT



999002 | REFLECTOR SURVIVAL KIT

Survival Kits & Packages

Mounting Hardware Survival Kit

999005 Mounting Hardware Survival Kit 63 \$2392.00

CONTENTS

4	540001	Hollywood Superflex
2	429041	3" Baby Plates
2	420100	Matthellini 2" Center Jaw
2	429594	4" C Clamps with 5/8" Stud
4	350580	Hollywood 2-1/2" Grip Heads
4	681012	20" Extension Arm
2	B429587	Gaffer Grips
4	540004	Super Mafer Clamps
4	209632	Mafer Clamp 5/8" Pins
2	B429500	Afflac Clamps
6	429678	5/8" Drop Ceiling Scissor Clamps
1	429642	Gag
1	429589	6" Furniture Clamp with Adapter
1	429584	12" Furniture Clamp with Adapter
1	429614	Gag
1	242106	Carrying Case

Reflector Survival Kit

999002 Reflector Survival Kit 84 \$1821.00

CONTENTS

1	119726	Expendable Matthboard 40" x 40" Standard — Silver
1	119728	Expendable Matthboard 40" x 40" Fill — Silver
2	B119738	Pivoting Yokes
1	474503	Carrying Case



999007 | 6' x 6' BUTTERFLY SURVIVAL KIT



999006 | SCRIM / FLAG SURVIVAL KIT

Survival Kits & Packages

6' x 6' Butterfly Survival Kit

999007 6' X 6' Butterfly Survival Kit 40 \$1872.00

CONTENTS

1	409306	6' x 6' Break-A-Part Frame
1	309081	6' x 6' Single Scrim — Black
1	309082	6' x 6' Double Scrim — Black
1	309083	6' x 6' Solid Black
1	309084	6' x 6' Artificial Silk
1	242105	6' x 6' Carrying Case

Scrim / Flag Survival Kit

999006 Scrim/Flag Survival Kit 61 \$2290.00

CONTENTS

2	169059	18" x 24" Flags
2	149066	18" x 24" Single — Black
2	149061	18" x 24" Double
2	149545	18" x 24" Artificial Silk
1	189093	18" x 24" Wood Cucoloris
1	189094	24" x 36" Wood Cucoloris
1	199101	18" x 24" Cello Cucoloris
1	199102	24" x 36" Cello Cucoloris
2	169062	24" x 36" Flags
2	149063	24" x 36" Single — Black
2	149064	24" x 36" Double — Black
2	149566	24" x 36" Artificial Silk
1	261044	Carrying Case



309108 | LIGHT DUTY BUTTERFLY KIT



999026 | ROADRAGS C-VIVAL KIT

Survival Kits & Packages

Light Duty Butterfly Kit

309108 Light Duty Butterfly Kit 35 \$1010.00

CONTENTS

- 1 B309071 6' x 6' Snap-A-Part Light Duty Frame
- 2 B387487 Lt/Hvy D/R Kit Stand
- 2 B350580 Hollywood 2-1/2" Grip Heads
- 1 309084 6' x 6' Artificial Silk
- 1 719104 6' x 6' Black/White Griffylon
- 1 45389 Carrying Bag

RoadRags C-Vival Kit

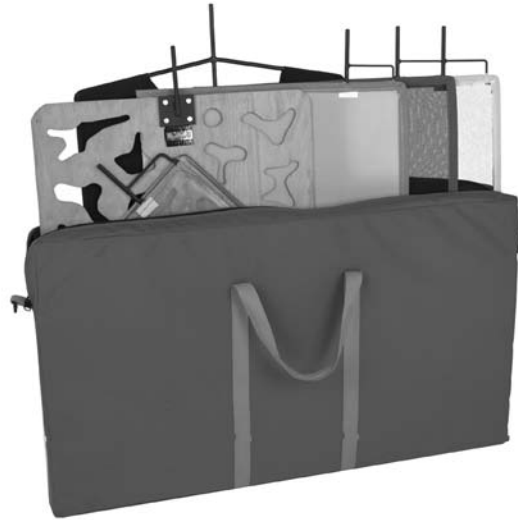
Specifically designed for the run and gun shooter who must move quickly and create studio quality images, this new kit contains two (2) 40" Matthews C+ Stands, a RoadRags Kit which includes a single, double, silk and a flag and the convenient MiniGrip Kit for quick mounting of the light modification devices to the light stand. Packaged as a self contained kit, the heavy-duty case includes wheels for easy transport and maneuverability.

999026 RoadRags C-Vival Kit 42 \$1275.00





999012 | 18" X 24" LIGHTING CONTROL KIT



999013 | 24" X 36" LIGHTING CONTROL KIT

Survival Kits & Packages

Lighting Control Kits

Lighting Control Carrying Bags are made of 1000 denier polyester fabric exterior shell with heavy-duty zippered closure and carrying handles. The inside is lined with corrugated plastic to protect the contents and provide stiffness.

18" x 24" Lighting Control Kit

999012 Lighting Control Kit 17 \$612.00

CONTENTS

1	149066	18" x 24" Single Scrim — Black
1	149061	18" x 24" Double Scrim
1	149545	18" x 24" Artificial Silk
1	169059	18" x 24" Flag
1	199101	18" x 24" Cello Cucoloris
1	189093	18" x 24" Wood Cucoloris
1	309301	Carrying Bag

24" x 36" Lighting Control Kit

999013 Lighting Control Kit 23 \$816.00

CONTENTS

1	149063	24" x 36" Single Scrim — Black
1	149064	24" x 36" Double Scrim — Black
1	149566	24" x 36" Artificial Silk
1	169062	24" x 36" Flag
1	199102	24" x 36" Cello Cucoloris
1	189094	24" x 36" Wood Cucoloris
1	309302	Carrying Bag



*“...set the tone — feel the mood —
experience the moment. A great day of filming!”*

Textiles

Matthews carries a wide variety of fabrics and textiles which include Silks, Griffolyn, Bobbinet, Duvetyne and Muslins. Fab Tape is also available, which will allow you to construct any size or shape on-site from bulk Griffolyn material. Griff Clips let you instantly have rope tie downs anywhere you want them.

559152	Bobbinet 288" Wide — Black / Cut Per Linear Yard	.75	47-1013	China Silk White — 45" Wide Cut Per Linear Yard	.25
559153**	Bobbinet 288" Wide — White / Cut Per Linear Yard	.75	47-1013B	China Silk Black — 45" Wide Cut / Per Linear Yard	.25
579149	Duvetyne 54" Wide (Commando Cloth) Cut / Per Linear Yard	1	569145	Artificial Silk White — 60" Wide Cut Per Linear Yard	.25
589145	Gridcloth 54" / Per Linear Yard	.25	B569145	Artificial Silk Black — 60" Wide Per Linear Yard	.25
589146	Lite Gridcloth 54" / Per Linear Yard	.25	6157	1/4 Stop Silk White — 118" Wide Per Linear Yard	.25
589154	1/4 Gridcloth 54" / Per Linear Yard	.25	B6157	1/4 Stop Silk Black — 118" Wide Per Linear Yard	.25
47-1014	Silent Gridcloth 60" / Per Linear Yard	.25	719200	Matthbounce — 60" Wide Per Linear Yard	.35
47-1007	Silent Gridcloth Lite 54" Per Linear Yard	.25	6304	Green Screen — Chromakey 60" Wide / Per Linear Yard	1.5
47-1060	1/4 Silent Gridcloth 54" Per Linear Yard	.25	6303	Blue Screen — Chromakey 60" Wide / Per Linear Yard	1.5
719153	Griffolyn Black & White T55 5 Mill Gloss 12' x 100'	34	6305	Green Screen — Digital 60" Wide / Per Linear Yard	1.5
719155	Griffolyn White & White T55 5 Mill Gloss 12' X 100'	34	6313	Blue Screen — Digital 60" Wide / Per Linear Yard	1.5
719154	Griffolyn Black & White T55 5 Mill Gloss 20' x 100'	59	6306	Blue/Green Screen — Chromakey 60" Wide / Per Linear Yard	1.5
719156	Griffolyn White & White T55 5 Mill Gloss 20' x 100'	59	6314	Blue/Green Screen — Digital 60" Wide / Per Linear Yard	1.5
719194	Griffolyn Black & White T55 5 Mill Gloss Cut / Per Square Foot	.25	6104/100	Silver Omega 54" Wide / Per Linear Yard	1.5
719197/100**	Griffolyn, Black / White T90 10 mill Dull 20'x 100'	60	319696/100	Hi Light 55" Wide / Per Foot	1.5
589149	Lame Silver — 45" Wide Cut / Per Linear Yard	.25	319697/100	Silent Frost 48" Wide / Per Foot	1.5
589150	Lame Gold — 45" Wide Cut / Per Linear Yard	.25	47-1052	Light Box Diffusion, 58" Wide	1.5
589151	Lavender 108" Wide / Per Linear Yard	.25			
589156	Muslin — Bleached 108" Wide Per Linear Yard	.25			
589157	Muslin — Unbleached 108" Wide Per Linear Yard	.25			

** Subject to material availability and market price at time of purchase.

NOTE: SEE PAGES 114 to 119 FOR FABRIC SPECIFICATIONS

Textile Pricing — “As textile pricing varies on a regular basis, we ask you to please call your Matthews sales representative to obtain pricing on bulk fabric requirements.”

Thank You.

CLEANING GUIDE FOR FABRICS, BUTTERFLYS & OVERHEADS

Due to the incompatibility of the various fiber contents of the Butterfly and Overhead materials, Matthews recommends that they be washed in cold water with mild detergent and blocked dry on the proper frame to prevent shrinkage. Be sure they are dry before placing in a storage bag. After cleaning, flame retardants may have been removed.

NOTE: Matthews has had success with this cleaning procedure; however, we will not be held responsible for the results.



GRIFF CLIPS



FAB TAPE



MUSLIN REPAIR TAPE



GRIFF TAPE



DUVETAPE

Clips & Tapes

Griff Clips

Griff Clips let you instantly have rope tie downs anywhere you want them.

719702 Griff Clips 2 Packages of 50 2.5 \$133.00

Fab Tape

Fab Tape is 2 sided and actually causes a molecular change when fusing the Griffylon materials together. This change makes the 2 pieces nearly impossible to separate.

719704 Fab Tape 1 Roll — Black, 1-1/2"x100 ft. 4 \$92.00

Muslin Repair Tape

Tears in Muslin are easily repaired with our new Muslin Repair Tape. Available in 2"x 5 yard rolls, it is a self adhesive tape made from a tough polyester fabric.

719705 Muslin Repair Tape 2"x 5 Yards .25 \$12.00

Griff Tape

Griff Tape is 4" wide and is extremely adhesive. It is made to repair punctures or cuts to Griffylon in the field. It is especially useful for taping over cords on walkways, making it far superior to Gaffers Tape.

719703 Griff Tape 1 Roll — Black 4.75 \$116.00
719701 Griff Tape 1 Roll — White 4.75 116.00

Duvetape

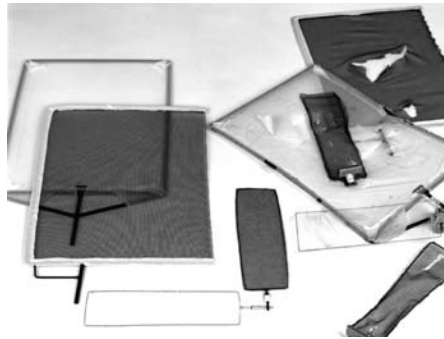
Available in 2"x 5 yards and 3"x 5 yards this polyester felt, self-adhesive tape will make the temporary repair of Overhead Solids, Flags and Cutters a snap. When used for repairs, this tape should be applied to the non-fuzzy side only. It is also ideal for taping on light stands to eliminate reflection or to help them disappear when they are in a shot, along with many other uses.

719709 Duvetape — 2"x 5 Yards .25 \$12.00
719714 Duvetape — 3"x 5 Yards .25 18.00

MathNotes



*“...there’s only one way to recover...use
the right material, the right thread, the right webbing
and the right company — Matthews.”*



Recoveries

Dot Recoveries

789242	3" Dot Single Scrim — Black Recover	.25	\$17.00
789245	3" Dot Double Scrim — Black Recover	.25	17.00
789251	3" Dot Artificial Silk — White Recover	.25	17.00
789248	3" Dot Solid — Recover	.25	17.00
789254	3" Dot Lavender Scrim — Recover	.25	17.00
789243	6" Dot Single Scrim — Black Recover	.25	17.00
789246	6" Dot Double Scrim — Black Recover	.25	17.00
789252	6" Dot Artificial Silk — White Recover	.25	17.00
789249	6" Dot Solid — Recover	.25	17.00
789255	6" Dot Lavender Scrim— Recover	.25	17.00
789244	10" Dot Single Scrim — Black Recover	.25	17.00
789247	10" Dot Double Scrim — Black Recover	.25	17.00
789253	10" Dot Artificial Silk — White Recover	.25	17.00
789250	10" Dot Solid — Recover	.25	17.00
789256	10" Dot Lavender Scrim — Recover	.25	17.00

Finger Recoveries

789257	2" x 12" Finger Single Scrim Black Recover	.25	\$17.00
789259	2" x 12" Finger Double Scrim Black Recover	.25	17.00
789263	2" x 12" Finger Silk — White Recover	.25	17.00
789261	2" x 12" Finger Solid — Recover	.25	17.00
789265	2" x 12" Finger Lavender — Recover	.25	17.00
789258	4" x 14" Finger Single Scrim Black Recover	.25	17.00
789260	4" x 14" Finger Double Scrim Black Recover	.25	17.00
789264	4" x 14" Finger Artificial Silk White Recover	.25	17.00
789262	4" x 14" Finger Solid — Recover	.25	17.00
789266	4" x 14" Finger Lavender Scrim Recover	.25	17.00

Solid Frame Recoveries

499220	24" x 48" Single Scrim, Recover	3	\$65.00
499229	24" x 48" Double Scrim, Recover	3	101.00
499230	24" X 48" Artificial Silk, White Recover	3	65.00
499210	48" x 48" Single Scrim, Black Recover	4	70.00
499211	48" x 48" Double Scrim, Black Recover	4	108.00
499239	48" x 48" Triple Scrim, Black Recover	4	134.00
499212	48" x 48" Artificial Silk, White Recover	4	70.00
B499212	48" x 48" Artificial Silk, Black Recover	4	70.00
499181	48" x 48" 1/4 Stop Silk, White Recover	4	70.00
B499181	48" x 48" 1/4 Stop Silk, Black Recover	4	70.00
499182	48" x 48" China Silk, White Recover	4	70.00
B499182	48" x 48" China Silk, Black Recover	4	70.00
499185	48" x 48" Grid Cloth Scrim Recover	4	45.00
499222	48" x 48" Lavender Scrim, Recover	4	70.00

Flag & Cutter Recoveries

509213	12" x 18" Flag, Recover	1.5	\$21.00
509214	18" x 24" Flag, Recover	2	27.00
509215	24" x 30" Flag, Recover	2.75	31.00
509216	24" x 36" Flag, Recover	3	31.00
509217	30" x 36" Flag, Recover	3.25	34.00
509218	10" x 42" Cutter, Recover	2.25	27.00
509219	18" x 48" Cutter, Recover	3	31.00
509220	24" x 72" Cutter, Recover	6.25	46.00
499240	24" x 72" Floppy Cutter *, Recover Open to 24" x 144" or 48" x 72"	7	95.00
509221	48" x 48" Cutter, Recover	6.25	50.00
509222	24" x 48" Cutter, Recover	1.75	29.00
499223	48" x 48" Floppy Flag*, Recover	6.25	128.00
499250	24" x 48" Floppy Flag, Recover	4.75	82.00
499223	48" x 48" Floppy Flag, Recover	9.25	123.00

*Please specify top or bottom or side hinge.



Recovers

Open End Recovers

499190	12" X 18" Single Scrim, Black Recover	.50	\$30.00	499175	24" x 30" 1/4 Stop Silk, White Recover	1.5	\$39.00
499191	12" x 18" Double Scrim, Black Recover	.50	36.00	B499175	24" x 30" 1/4 Stop Silk, Black Recover	1.5	39.00
499237	12" x 18" Triple Scrim, Black Recover	.50	47.00	499176	24" x 30" China Silk, White Recover	1.5	39.00
499192	12" x 18" Artificial Silk, White Recover	.50	30.00	B499176	24" x 30" China Silk, Black Recover	1.5	39.00
B499192	12" x 18" Artificial Silk, Black Recover	.50	30.00	499201	24" x 30" Lavender Scrim, Recover	1.5	39.00
499214	12" x 18" 1/4 Stop Silk, White Recover	.50	30.00	499202	24" x 36" Single Scrim, Black Recover	1.5	46.00
B499214	12" x 18" 1/4 Stop Silk, Black Recover	.50	30.00	499203	24" x 36" Double Scrim, Black Recover	1.5	59.00
499215	12" x 18" China Silk, White Recover	.50	30.00	499236	24" x 36" Triple Scrim, Black Recover	1.5	97.00
B499215	12" x 18" China Silk, Black Recover	.50	30.00	499204	24" x 36" Artificial Silk, White Recover	1.5	39.00
499193	12" x 18" Lavender Scrim, Recover	.50	30.00	B499204	24" x 36" Artificial Silk, Black Recover	1.5	39.00
499194	18" x 24" Single Scrim, Black Recover	1	36.00	499177	24" x 36" 1/4 Stop Silk, White Recover	1.5	39.00
499195	18" x 24" Double Scrim, Black Recover	1	42.00	B499177	24" x 36" 1/4 Stop Silk, Black Recover	1.5	39.00
499234	18" x 24" Triple Scrim, Black Recover	1	59.00	499178	24" x 36" China Silk, White Recover	1.5	41.00
499196	18" x 24" Artificial Silk, White Recover	1	39.00	B499178	24" x 36" China Silk, Black Recover	1.5	41.00
B499196	18" x 24" Artificial Silk, Black Recover	1	39.00	499205	24" x 36" Lavender Scrim, Recover	1.5	39.00
499173	18" x 24" 1/4 Stop Silk, White Recover	1	31.00	499206	30" x 36" Single Scrim, Black Recover	1.75	59.00
B499173	18" x 24" 1/4 Stop Silk, Black Recover	1	31.00	499207	30" x 36" Double Scrim, Black Recover	1.75	97.00
499174	18" x 24" China Silk, White Recover	1	31.00	499238	30" x 36" Triple Scrim, Black Recover	1.75	120.00
B499174	18" x 24" China Silk, Black Recover	1	31.00	499208	30" x 36" Artificial Silk, White Recover	1.75	59.00
499197	18" x 24" Lavender Scrim, Recover	1	31.00	B499208	30" x 36" Artificial Silk, Black Recover	1.75	59.00
499198	24" x 30" Single Scrim, Black Recover	1.5	44.00	499179	30" x 36" 1/4 Stop Silk, White Recover	1.75	59.00
499199	24" x 30" Double Scrim, Black Recover	1.5	59.00	B499179	30" x 36" 1/4 Stop Silk, Black Recover	1.75	59.00
499235	24" x 30" Triple Scrim, Black Recover	1.5	95.00	499180	30" x 36" China Silk, White Recover	1.75	61.00
499200	24" x 30" Artificial Silk, White Recover	1.5	39.00	B499180	30" x 36" China Silk, Black Recover	1.75	61.00
B499200	24" x 30" Artificial Silk, Black Recover	1.5	39.00	499209	30" x 36" Lavender Scrim, Recover	1.75	59.00

Prices shown are based on the assumption that when your old frames arrive at Matthews for recovering, they have been stripped of the old fabric, cleaned and straightened — otherwise, a service charge of \$5.00 for each of the aforementioned services will be incurred.

INDEX 194

Part No.	Description / Page	Part No.	Description / Page
1062-3	Mitchell Low Profile Tie Down.....163	149045	12"x 18" Single Scrim — White.....130
1880	Mitchell Camera Nut.....163	149046	12"x 18" 1/4 Stop Silk.....130
5028	Mitchell Top Plate.....163	149047	12"x 18" Double Scrim — White.....130
6059-1/100	Reflector Silver Paper.....108	149043	12"x 18" Artificial Silk.....130
6157	1/4 Stop Silk White — 118" Wide/Cut.....188	149044	12"x 18" Lavender.....130
6303	Blue Screen 60" Wide/Per Linear Yard.....188	149052	12"x 18" Single Scrim.....130
6304	Green Screen 60" Wide/Per Linear Yard.....188	149058	12"x 18" Double Scrim.....130
6305	Green Screen — Digital.....188	149061	18"x 24" Double Scrim.....130
6306	Blue/Green Screen — Digital.....188	149063	24"x 36" Single Scrim.....130
6313	Blue Screen — Digital.....188	149064	24"x 36" Double Scrim.....131
6314	Blue/Green Screen — Digital.....188	149066	18"x 24" Single Scrim.....130
6346-1/100	Reflector Gold Paper.....108	149067	24"x 48" Single Scrim.....131
6348-1/100	Safety Cable.....100	149068	24"x 48" Double Scrim.....131
7000	1/4-20 Female to 5/8" Pin.....160	149105	24"x 30" Single Scrim.....130
9023	Adhesive Spray.....108	149106	24"x 30" Double Scrim.....130
12065-02	100mm Bowl.....30	149107	24"x 30" Artificial Silk.....130
18069-22	Hex Pin to 1/4-20.....59	149108	24"x 30" Lavender.....130
20027-10	1/4 to 5/8 Pin.....81, 86	149109	24"x 30" Single Scrim — White.....130
119054	24"x 24" Reflector Box — 2 place.....108	149110	24"x 30" 1/4 Stop Silk.....130
119055	24"x 24" Reflector Box — 4 place.....108	149111	24"x 30" Double Scrim — White.....130
119070	42"x 42" Gold Reflector.....106	149169	12"x 18" Triple Scrim.....130
119121	42"x 42" Single Reflector.....106	149170	18"x 24" Triple Scrim.....130
119122	42"x 42" Double Reflector.....106	149171	24"x 30" Triple Scrim.....130
119123	42"x 42" Reflector Box — 2 place.....108	149172	24"x 36" Triple Scrim.....131
119124	42"x 42" Reflector Box — 4 place.....108	149173	30"x 36" Triple Scrim.....131
119726	40"x 40" Silver Matthboard.....107	149545	18"x 24" Artificial Silk.....130
119728	40"x 40" Silver Matthboard Fill.....107	149546	18"x 24" Lavender.....130
119732	42"x 42" Silver Reflector.....106	149547	18"x 24" Single Scrim — White.....130
119751	42"x 42" Xeno Mirror Reflector.....106	149548	24"x 36" Lavender.....131
119752	42"x 42" Mirror Reflector.....106	149549	18"x 24" 1/4 Stop Silk.....130
119753	42"x 42" Reflector Frame.....106	149550	24"x 36" 1/4 Stop Silk.....131
129033	Reflector Tool Kit.....108	149551	24"x 36" Single Scrim — White.....130
139034	Reflector Material Kit.....108	149552	24"x 36" Double Scrim — White.....131
139092	Reflector Recover Material Gold.....108	149554	18"x 24" Double Scrim — White.....130
139341	Reflector Recover Material Silver.....108	149555	18"x 24" China Silk.....130
139344	Gold Size Paste.....108	149556	24"x 36" China Silk.....131
149004	24"x 36" Silver Matthflector.....124	149566	24"x 36" Artificial Silk.....131
149006	24"x 36" Gold Lame Reflector.....124	149569	24"x 48" Artificial Silk.....131
149007	24"x 36" Silver Lame Reflector.....124	159013	48"x 48" Single Scrim.....131
149008	24"x 36" Flag.....124	159014	48"x 48" Double Scrim.....131
149009	24"x 36" Artificial Silk.....124	159015	48"x 48" Artificial Silk.....131
149010	18"x 24" Single Scrim — Black.....124	159019	48"x 48" Lavender.....131
149011	18"x 24" Gold Lame Reflector.....124	159020	48"x 48" Single Scrim — White.....131
149012	24"x 36" Single Scrim — Black.....124	159021	48"x 48" 1/4 Stop Silk.....131
149013	18"x 24" Double Black Scrim.....124	159022	48"x 48" Double Scrim — White.....131
149015	18"x 24" Artificial Silk.....124	159031	48"x 48" China Silk.....131
149016	18"x 24" Silver Lame Reflector.....124	159177	48"x 48" Triple Scrim.....131
149017	18"x 24" Silver Matthflector.....124	169001	30"x 36" Flag.....132
149018	18"x 24" Flag.....124	169003	10"x 42" Cutter.....132
149019	24"x 36" Double Scrim — Black.....124	169004	18"x 48" Cutter.....132
149020	30"x 36" Single Scrim.....131	169010	24"x 30" Cutter.....132
149021	30"x 36" Double Scrim.....131	169027	48"x 48" Flag.....132
149022	30"x 36" Artificial Silk.....131	169028T	48"x 48" Floppy — Top.....132
149023	30"x 36" Lavender.....131	169028B	48"x 48" Floppy — Bottom.....132
149024	30"x 36" Single Scrim — White.....131	169029	24"x 72" Floppy Cutter.....132
149025	30"x 36" 1/4 Stop Silk.....131	169030	24"x 48" Meat Axe Flag.....132
149026	30"x 36" Double Scrim — White.....131	169042	12"x 18" Flag.....132
149027	18" x 24" Scrim Storage Bag.....134	169059	18"x 24" Flag.....132
149028	30" x 36" Scrim Storage Bag.....134	169062	24"x 36" Flag.....132
149031	30"x 36" China Silk.....131	169067	24"x 72" Cutter.....132

INDEX 195

Part No.	Description / Page	Part No.	Description / Page
169150	Road Flags II Bag.....127	219115	6" Dot 1/4 Stop Silk.....129
169178	30"x 36" Meat Axe Flag.....132	219116	10" Dot 1/4 Stop Silk.....129
169179	40"x 40" Flag.....132	219193	3" Dot Lavender Scrim.....129
169190	Rag Frame 18"x 24".....124	219196	6" Dot Lavender Scrim.....129
169191	Rag Frame 24" x 36".....124	219610	10" Dot Single Scrim.....129
169193	Road Flags II Artificial Silk.....127	219710	10" Dot Double Scrim.....129
169194	Road Flags II Double Black.....127	219810	10" Dot Solid.....129
169196	Road Flags II Single Black.....127	219910	10" Dot Artificial Silk.....129
169197	Road Flags II Solid.....127	229074	2"x 12" Finger Matthflector Silver/Gold.....129
169198	Road Flags II Silver Lame.....127	229075	4"x 14" Finger Matthflector Silver/Gold.....129
169199	Road Flags II Gold Lame.....127	229076	Finger Set — 12 Fingers.....128
169200	Road Flags II Blue Screen.....127	229102	2"x 12" Finger Lavender.....128
169202	Road Flags II Green Screen.....127	229104	4"x 14" Finger Lavender Scrim.....128
169207	48"x 48" Road Flags II Flag Floppy.....127	229105	2"x 12" Finger Single Scrim — White.....128
169610	48"x 48" HOT Flags.....135	229106	4"x 14" Finger Single Scrim — White.....128
169611	24"x 36" HOT Flags.....135	229107	2"x 12" Finger 1/4 Stop Silk.....128
169612	18"x 24" HOT Flags.....135	229108	4"x 14" Finger 1/4 Stop Silk.....128
169613	24"x 72" HOT Flags.....135	229722	2"x 12" Finger Single Scrim.....128
169614	Break-A-Part Frame.....127	229724	4"x 14" Finger Single Scrim.....128
179541	18"x 24" Scrim/Flag Box.....146	229732	2"x 12" Finger Double Scrim.....128
179542	24"x 36" Scrim/Flag Box.....146	229734	4"x 14" Finger Double Scrim.....128
179543	30"x 36" Scrim/Flag Box.....146	229742	2"x 12" Finger Solid.....128
179548	24"x 30" Scrim/Flag Box.....146	229744	4"x 14" Finger Solid.....128
179554	Castered Base for 3 Place Box.....146	229752	2"x 2" Finger Artificial Silk.....128
179563	4-Place Scrim/Flag Box.....146	229754	4"x 14" Finger Artificial Silk.....128
189091	48"x 48" Wood Cucoloris.....135	238120	10"x 12" Flex Scrim Single.....129
189093	18"x 24" Wood Cucoloris.....135	238121	10"x 12" Flex Scrim Double.....129
189094	24"x 36" Wood Cucoloris.....135	238122	10"x 12" Flex Scrim Solid.....129
199101	18"x 24" Cello Cucoloris.....135	238123	10"x 12" Flex Scrim Artificial Silk.....129
199102	24"x 36" Cello Cucoloris.....135	238124	10"x 12" Flex Scrim Lavender.....129
199103	40"x 40" Cello Cucoloris.....135	238126	10"x 12" Flex Scrim 1/4 Stop Silk.....129
199104	48"x 48" Cello Cucoloris.....135	238127	10"x 12" Flex Scrim China Silk.....129
209494	Cantrell Holder.....66	238220	12"x 20" Flex Scrim Single.....129
209495	Foam Core Holder.....66	238221	12"x 20" Flex Scrim Double.....129
209632	5/8" Pin — Snap In.....59	238223	12"x 20" Flex Scrim Solid.....129
209633	3/8" Pin — Snap In.....59	238224	12"x 20" Flex Scrim Artificial Silk.....129
209635	Swivel Snap-In.....59	238225	12"x 20" Flex Scrim Lavender.....129
209636	2-1/2" Grip Head — Snap In.....58	249561	The Slider Stand.....25, 169
209637	1/2" Pin — Snap In.....59	249562	Monitor Stand.....27
209638	Mounting Plate 3"x 3" — Snap In.....59	249564	Mini Slider Stand.....26
209639	Offset Arm — Snap In.....59	259531	Full Mini Apple Box.....144
209640	Weld on Snap In.....59	259532	Half Mini Apple Box.....144
209641	Right Angle — Snap In.....59	259533	Quarter Mini Apple Box.....144
209644	Baby 2fer — Triple Baby Pin.....63	259534	Eighth Mini Apple Box.....144
209645	Baby 3fer — Quad Baby Pin.....63	259535	Full Apple Box.....144
219005	Dot Set — 18 Dots.....129	259536	Half Apple Box.....144
219063	3" Dot Single Scrim.....129	259537	Quarter Apple Box.....144
219066	6" Dot Single Scrim.....129	259538	Eighth Apple Box.....144
219073	3" Dot Double Scrim.....129	259568	Elephant Blocks 10 pcs. 4" Set w/Handle...145
219076	6" Dot Double Scrim.....129	259570	Elephant Blocks 10 pcs. 2" Set w/Handle...145
219083	3" Dot Solid.....129	259571	Octagon Board.....144
219086	6" Dot Solid.....129	279549	Stair Block Set.....146
219093	3" Dot Artificial Silk.....129	289518	Baby Clip Board.....146
219096	6" Dot Artificial Silk.....129	289519	Junior Clip Board.....146
219110	10" Dot Lavender Scrim.....129	289520	Senior Clip Board.....146
219111	3" Dot Single Scrim — White.....129	299168	50lb. Empty Sandbag Cordura.....142
219112	6" Dot Single Scrim — White.....129	299550	15lb. Sandbag Cordura.....142
219113	10" Dot Single Scrim — White.....129	299551	50lb. Sandbag Cordura.....142
219113	10" Dot Single Scrim — White.....128	299552	25lb. Sandbag Cordura.....142
219114	3" Dot 1/4 Stop Silk.....129	299553	25lb. Sandbag Cordura — Black.....142

INDEX 196

Part No.	Description / Page	Part No.	Description / Page
299555	Fly-A-Way Sandbag — Orange.....142	309609	6'x 6' Single White Scrim.....120
299556	35lb. Sandbag Cordura.....142	309610	6'x 6' 1/4 Stop Silk.....120
299557	35lb. Sandbag Cordura — Black.....142	309614	8'x 8' Gridcloth.....121
299558	15lb. Water Repellent Sandbag.....142	309615	20'x 30' Gridcloth.....123
299559	15lb. Sandbag Cordura — Black.....142	309616	8'x 8' Gridcloth Lite.....121
299560	35lb. Water Repellent Sandbag.....142	309617	20'x 30' Gridcloth Lite.....123
299563	5lb. Water Repellent Sandbag.....142	309618	6'x 6' Bleached Muslin.....120
299576	5lb. Sandbag Cordura.....142	309619	8'x 8' Bleached Muslin.....121
299577	5lb. Sandbag Cordura — Black.....142	309620	12'x 12' Bleached Muslin.....122
299599	25lb. Water Repellent Sandbag.....142	309621	20'x 20' Bleached Muslin.....123
299607	Matthbag — Orange.....142	309622	20'x 30' Bleached Muslin.....123
299700	20lb. Saddle Bag.....143	309623	6'x 6' Unbleached Muslin.....120
299705	35lb. Saddle Bag.....143	309624	8'x 8' Unbleached Muslin.....121
299853	25lb. Shot Bag.....143	309625	12'x 12' Unbleached Muslin.....122
299859	15lb. Shot Bag.....143	309626	20'x 20' Unbleached Muslin.....123
299877	5lb. Shot Bag.....143	309627	20'x 30' Unbleached Muslin.....123
299886	5lb. Boa Bag.....142	309629	8'x 8' Silver Matthflector.....121
299887	10lb. Boa Bag.....142	309658	12'x 12' Bleached Muslin — seamless.....122
299888	15lb. Boa Bag.....142	309659	20'x 20' Bleached Muslin — seamless.....123
309079	6'x 6' Round Frame.....110	309660	12'x 12' Unbleached Muslin — seamless.....122
309080	6'x 6' Overhead Set.....120	309661	20'x 20' Unbleached Muslin — seamless.....123
309081	6'x 6' Single Scrim.....120	309665	6'x 6' Gridcloth 1/4.....120
309082	6'x 6' Double Scrim.....120	309666	8'x 8' Gridcloth 1/4.....121
309083	6'x 6' Solid.....120	309667	12'x 12' Gridcloth 1/4.....121
309084	6'x 6' Artificial Silk Scrim.....120	309668	20'x 20' Gridcloth 1/4.....123
309085	6'x 6' Double Scrim — White.....120	319000	12'x 12' Artificial Silk Scrim.....121
309100	6'x 6' Silver Lame.....120	319009	6'x6' Matthbounce.....120
309101	6'x 6' Gold Lame.....120	319010	8'x 8' MatthBounce.....121
309102	8'x 8' Silver Lame.....121	319011	12'x 12' MatthBounce.....122
309103	8'x 8' Gold Lame.....121	319012	20'x 20' MatthBounce.....123
309104	12'x 12' Silver Lame.....122	319016	12'x12' Gridcloth Lite.....121
309105	12'x 12' Gold Lame.....122	319017	12'x 12' Gridcloth.....121
309106	20'x 20' Silver Lame.....123	319021	6'x6' Hi Lights (Sewn).....120
309107	20'x 20' Gold Lame.....123	319022	6'x 6' Silent Frost (Welded).....120
309108	Light Duty Butterfly Kit.....109, 184	319023	8'x 8' Silent Frost (Sewn).....121
309114	6'x 6' Blue Screen.....120	319024	8'x 8' Hi Lights (Sewn).....121
309115	6'x 6' Green Screen.....120	319025	12'x 12' Hi Lights (Welded).....122
309131	6'x 6' Checkerboard Lame.....120	319026	12'x 12' Silent Frost (Welded).....122
309132	8'x 8' Checkerboard Lame.....121	319027	20'x 20' Hi Lights (Sewn).....123
309133	12'x 12' Checkerboard Lame.....122	319028	20'x 20' Silent Frost (Sewn).....123
309134	20'x 20' Checkerboard lame.....123	319068	12'x 12' Overhead Set.....122
309200	Small Rag Bag.....128	319078	12'x 12' Round Frame.....111
309212	Medium Rag Bag.....128	319087	12'x 12' Single Scrim.....121
309218	Large Rag Bag.....128	319088	12'x 12' Double Scrim.....121
309224	Extra Large Rag Bag.....128	319089	12'x 12' Solid.....121
309298	ROADRAGS II Bag.....124	319090	12'x 12' Double Scrim — White.....121
309299	ROADRAGS Bag.....124	319095	12'x 12' Blue Screen.....122
309300	12"x 18" Flag Bag.....134	319096	12'x 12' Green Screen.....122
309301	18"x 24" Flag Bag.....134	319097	20'x 20' Green Screen.....123
309302	24"x 36" Flag Bag.....134	319098	20'x 20' Blue Screen.....123
309303	30"x 36" Flag Bag.....134	319117	20'x 20' Silent Gridcloth Lite.....123
309304	48"x 48" Flag Bag.....134	319118	12'x 12' Silent Gridcloth Lite.....121
309306	Flag Bag Shoulder Strap.....134	319119	8'x 8' Silent Gridcloth Lite.....121
309525	20'x 20' Soft Grid.....123	319120	20'x 20' Silent Gridcloth 1/4.....123
309603	6'x 6' Gridcloth.....120	319121	20'x 20' Silent Gridcloth.....123
309604	6'x 6' Gridcloth Lite.....120	319147	12'x 12' Silent Gridcloth 1/4.....121
309605	6'x 6' China Silk.....120	319148	8'x 8' Silent Gridcloth 1/4.....121
309606	6'x 6' Silver Matthflector.....120	319149	6'x 6' Silent Gridcloth 1/4.....120
309607	12'x 12' Silver Matthflector.....122	319159	20'x 20' Blue/Green Screen — Chromakey...123
309608	20'x 20' Silver Matthflector.....123	319160	12'x 12' Blue/Green Screen — Chromakey...122

INDEX 197

Part No.	Description / Page	Part No.	Description / Page
319161	8'x 8' Blue/Green Screen — Chromakey.....121	319711	20'x 30' Green Screen.....123
319162	6'x 6' Blue/Green Screen — Chromakey.....120	319712	20'x 30' Blue Screen.....123
319164	12'x 12' Blue/Green Screen — Digital.....122	319714	20'x 30' Silver Lame.....123
319165	8'x 8' Blue/Green Screen — Digital.....121	319715	20'x 30' Bleached Muslin seamless.....123
319167	20'x 20' Blue/Green Screen — Digital.....123	319743	6'x 6' Silent Frost.....120
319400	8'x 8' Single Scrim.....120	319744	8'x 8' Silent Frost (Welded).....121
319401	8'x 8' Double Scrim.....120	319745	12'x 12' Silent Frost.....122
319402	8'x 8' Solid.....120	319746	20'x 20' Silent Frost.....123
319403	8'x 8' Artificial Silk.....120	319759	6'x 6' Light Box Diffusion.....120
319404	8'x 8' China Silk.....121	319761	8'x 8' Light Box Diffusion.....121
319405	8'x 8' 1/4 Stop Silk.....121	319762	12'x 12' Light Box Diffusion.....122
319406	8'x 8' Black/White Griff T55.....121	319763	20'x 20' Light Box Diffusion.....123
319407	8'x 8' Single Scrim — White.....120	319784	6'x 6' Silent Gridcloth Lite.....120
319408	8'x 8' Double Scrim — White.....120	319785	6'x 6' Silent Gridcloth.....120
319413	8'x 8' Round Frame.....110	319786	12'x 12' Silent Gridcloth.....121
319414	8'x 8' Butterfly Set.....121	319790	8'x 8' Green Screen — Digital.....121
319436	8'x 8' Blue Screen.....121	319792	12'x 12' Green Screen — Digital.....122
319437	8'x 8' Green Screen.....121	319793	20'x 20' Green Screen.....123
319524	20'x 20' Solid.....122	319794	6'x 6' Green Screen — Digital.....120
319544	20'x 20' Artificial Silk.....122	319800	6'x 6' White Solid.....120
319550	1-1/4" Pipe Connector.....112	319801	8'x 8' White Solid.....120
319551	1" Square Tube Connector.....112	319802	12'x 12' White Solid.....121
319552	1-1/2" Pipe Connector.....112	319803	20'x 20' White Solid.....122
319588	20'x 20' Single Scrim.....122	319820	8'x 8' Silent Gridcloth.....121
319599	20'x 20' Double Scrim.....122	319826	12'x 12' Blue Screen — Digital.....122
319600	20'x 20' Deluxe Frame.....111	319827	20'x 20' Blue Screen — Digital.....123
319604	20'x 20' Frame 1-1/4" Sch. 40 Pipe.....111	319828	6'x 6' Blue Screen — Digital.....120
319609	12'x 12' China Silk.....121	319829	8'x 8' Blue Screen — Digital.....121
319612	12'x 12' Single Scrim — White.....121	319910	6'x 6' Water Black/Wet Solid.....120
319613	12'x 12' 1/4 Stop Silk.....121	319911	8'x 8' Water Black/Wet Solid.....120
319614	20'x 20' Gridcloth Lite.....123	319912	12'x12' Water Black/Wet Solid.....121
319615	20'x 20' Gridcloth.....123	319913	20'x20' Water Black/Wet Solid.....122
319616	20'x 20' Double Scrim — White.....122	329040-1	Sound Blanket w/Grommets.....143
319617	6'x 6' Blue/Green Screen — Digital.....120	329404	24"x 30" Double Gold.....130
319625	20'x 30' Single Scrim.....123	329405	24"x 30" Single Gold.....130
319626	20'x 30' Artificial Silk Scrim.....123	329406	24"x 30" Double Silver.....130
319627	20'x 30' Solid.....123	329407	24"x 30" Single Silver.....130
319628	30'x 30' Artificial Silk Scrim.....123	339561	30" C Stand w/Spring Loaded Base.....40
319629	30'x 30' Solid.....123	339567	Hollywood 40" Double Riser C-Stand.....38
319631	30'x 30' Gridcloth.....123	339568	60" C Stand w/Spring Loaded Base.....40
319632	30'x 30' Gridcloth Lite.....123	339570	Hollywood 20" Double Riser C-Stand.....39
319633	30'x 30' Bleached Muslin.....123	339573	20" C-Stand w/Spring Loaded Mini Base.....40
319634	30'x 30' Unbleached Muslin.....123	339725	C+ 40" Riser Section Only.....41
319640	1-1/4" Pipe Corner.....112	339759	Spring Loaded Turtle Base.....41
319642	1-1/2" Pipe Ear.....112	339761	C+ 20" Riser Section Only.....41
319643	12'x 20' China Silk.....122	339763	Back Light Stand.....37
319644	20'x 20' China Silk.....122	339764	40" C Stand w/Sping Loaded Base.....40
319645	20'x 20' Single Scrim — White.....122	339774	20" C Stand w/Sping Loaded Base.....40
319646	20'x 20' 1/4 Stop Silk.....122	349581	Hollywood Head 4-1/2" Grip Head.....45, 60
319647	1-1/2" Pipe Corner.....112	350580	Hollywood — 2-1/2" Grip Head.....22, 41, 61
319651	1-1/4" Pipe Ear.....112	350584	MiniGrip Head.....60, 125, 158
319684	12'x 20' Single Scrim.....122	350595	ROADRAGS Kit 18"x 24".....124
319685	12'x 20' Double Scrim.....122	350596	ROADRAGS II Kit 24"x 36".....124
319686	12'x 20' Solid.....122	350598	MiniGrip Mounting Kit.....125
319687	12'x 20' Artificial Silk Scrim.....122	350601	20" Arm.....125
319688	12'x 20' 1/4 Stop Silk.....122	350602-1	MicroGrip Base.....81
319706	6'x 6' Hi Lights.....120	350602-2	8" 1/4-20 Female Rod.....81, 158
319707	8'x 8' Hi Lights.....121	350602-3	12" 1/4-20 Female Rod.....81, 158
319708	12'x 12' Hi Lights.....122	350602-4	20" 1/4-20 Female Rod.....81, 158
319709	20'x 20' Hi Lights.....123	350602-5	4" 1/4-20 Female Rod.....81, 158

INDEX 198

Part No.	Description / Page
350602-6	6" 1/4-20 Female Rod.....81, 158
350602-7	20" Rod w/3/8" Male Threads.....81, 158
350602-8	12" Rod Rod w/3/8" Male Threads.....81, 158
350602-9	8" Rod Rod w/3/8" Male Threads.....81, 158
350602-10	6" Rod Rod w/3/8" Male Threads.....81, 158
350602-11	4" Rod Rod w/3/8" Male Threads.....81, 158
350604	Micro Grip Head.....60, 80, 158
350605	Micro Shot Bag.....81
350606	Clip 3/8" Thread.....81
350609	MICROmount Basic Kit.....83
350610	Adapter 3/8" to 1/4".....83
350611	MICROgrip Basic Kit.....81
350612	MICROgrip Master Kit.....81
350613	MICROmount Accessory Kit.....83
350614	Hot Shoe Adapter.....83, 158
350617	MICROclamp.....82
350620	Universal Tablet Mount Basic Kit.....86
350621	Universal Tablet Mount Master Kit.....86
350622	Universal Tablet Mount Desk Kit.....86
350623	1/4-20 Male to 5/8 Female Receiver.....63, 81, 86
350625	5/8 Female to 1/4-20 Male Adapter.....63
350626	NOGA Arms by Matthews – Medium.....84
350627	NOGA Arms by Matthews – Large.....84
350628	Quick Release Adapter.....85
350629	1/4-20 Bottom Male & 1/4-20 Female Top.....85
350632	Extra Top Mount.....85
350633	Head Adapter.....85
350634	Dove Tail Camera Mount.....85
350635	3/8" to 3/8" Coupler.....158
350640	Rover.....32
366065	Sky High Triple Riser Combo Stand.....45
366066	Low Boy Double Riser Combo Stand.....45
366068	Combo Adapter Wheels.....45, 51
366165	Hollywood Combo Triple Riser.....45
366170	Budget Wheels — 1" Square Tube.....46
366171	Budget Wheels — 3/4" Square Tube.....43
369673	Hollywood Combo — Double Riser.....45
369675	Digital Combo Stand.....46
369764	Hollywood Combo Double Riser Aluminum.....45
369770	Hollywood Triple Riser.....50
377575	Hi-Hi Overhead Stand Wide Base.....50
377579	Wheel Adapters Set of 3 O/S 1"x 1-1/2".....52
377584	Wheel Adapters Set of 3 N/S 1-1/4"x 1-1/4".....52
377585	Mini Combo Overhead/Light Stand.....51
377591	Mombo Combo Stand.....52
377702	Bazooka 24" (61cm) to 39" (1m) & Accessories...165
377704	Intel-A-Jib & Accessories.....92, 93
377708	Expanding Handle.....93
377709	Mitchell to 100mm Low Profile Bowl Adapter.....93
377710	Mitchell to Sachtler Adapter.....93
377711	Intel-A-Jib Small Case.....93
377712	Intel-A-Jib Large Case.....93
377715	High Hat 150mm Claw Ball.....163
377742	Matthews Slider 29".....28, 29, 169
377743	Matthews Slider 35".....28, 29, 169
377744	Matthews Slider 45".....28, 29, 169
386034	Premie Baby.....42
386038	Mini Premie Baby — Steel.....42
387030	Hollywood Beefy Baby — Double Riser.....43
387031	Hollywood Beefy Baby — Triple Riser.....43

Part No.	Description / Page
387032	Digital Baby Stand.....46
387101	Wheels for Kit Stands — Set of 3.....36, 37
387102	Wheels for Revenger Stands — Set of 3.....36, 37
387402	Kit — Medium Duty Triple Riser — Black.....36
387485	Kit — Medium Duty Maxi Steel.....36
388200	Baby Runway Stand.....48
388201	Runway Base.....48
388210	Magic Finger with 5/8" Adapter.....69
388211	40" Gobo Arm with Magic Finger.....69
388214	Magic Stand — 40" Riser Only.....48
395012	Hot Buttons for Track.....175
395043	Doorway Dolly with Turret.....173
395047	Western Dolly with Pop-Off Wheels.....176
395063	4-Way Leveling Head w/ Flat Mount.....164
395100	Doorway Dolly.....173
395199	The Centipede Case.....175
395201	The Centipede — Set of 2.....175
395300	Round-d-Round Doorway Dolly.....172
395302	Secondary Offset Arm.....172
395310	Round-d-Round Doorway Dolly Seat.....172
395326	Mini Bazooka Mount 8" (20cm).....165
395329	Elemac to Mitchell Adapter.....164, 165
395334	Stand Caddy.....20, 174
395335	Stand Bracket.....20
395400	The Dutti Dolly.....18, 19
395500	Dutti Dolly Mitchell Riser Kit.....19
397050	Track Curved — 8ft. Section.....177, 178
397054	Starter Track.....177
397055	Track Straight — 8ft. Section.....177
397059	SST Curved Track — 8ft. Section.....177
397065	SST Track Straight — 8ft. Section.....177
397067	SST Track Straight — 10ft. Section.....177
397070	SST Track Straight — 4 ft. Section.....177
397080	SST Curved Track 90 Degree Radius...177, 178
397081	Track Curved 90 Degree Radius.....177
399732	2"x 4" Cribbing.....146
399733	1"x 3" Cribbing.....146
399734	Track Wedges.....146, 177
399735	Track Straight — 4 ft. Section.....177
399736	Track Straight — 10 ft. Section.....177
399744	Camera Wedge.....146
409000	Pin for 1" Round Tube.....112
409001	1" Round Tube Corner.....112
409003	Hollywood Corners — Set of 4.....112
409106	6'x 6' Hollywood Square Frame.....110
409108	8'x 8' Hollywood Square Frame.....110
409112	12'x 12' Hollywood Square Frame.....111
409200	QUIK Corners — Set of 4.....112
409201	6'x 6' QUIK Corners Frame w/Sliding 5/8" Pin.....110
409202	8'x 8' Snap-A-Part Frames w/QUIK Corners – Set of 4...110
409207	6'x 6' QUIK Corners Frame w/Sliding 5/8" Pin.....110
409209	QUIK Reverse Pin for 1" Square Tube – Black.....112
409216	Square Quick Reverse Backdrop Ears – Black.....13, 113
409306	6'x 6' Snap-A-Part Square Frame.....110
409308	8'x 8' Snap-A-Part Square Frame.....110
409312	12'x 12' Snap-A-Part Square Frame.....111
409520	20'x 20' Square Frame.....111
409525	Backdrop Ears w/Round Connector —Black.....13, 113
409526	Backdrop Ears w/1-1/2" Pipe —Black.....13, 113
409527	Backdrop Ears w/1" Speed Rail —Black...13, 113

INDEX 199

Part No.	Description / Page	Part No.	Description / Page
409706	6'x 6' Snap-A-Part Heavy Frame.....110	427805	Junior Drop Down.....90
409708	8'x 8' Snap-A-Part Heavy Frame.....110	427806	Baby Swivel Plate.....65
409712	12'x 12' Snap-A-Part Heavy Frame.....111	429016	Wall Spreader — 2'x 4'.....74
415063	4-Way Leveling Head.....93, 164	429017	Wall Spreader — 2'x 6'.....74
415064	Mini Mitch Leveling Head.....164	429020	Poultry Bracket.....72
415065	Mini Cheese Plate Leveling Head.....164	429029	Stand/SPUD Adapter 1-1/8" to 5/8".....64
415151	Low Profile 4-Way Leveling Head.....163	429036	Heavy Duty Bar Clamp Adapter.....63, 71
415152	Lazy Suzy & Accessories.....165, 166, 167, 174	429038	Locking Plier with two 5/8" Pins.....72
415165	2-Way Tilt Plate.....163	429039	Chain Vice Grip with two 5/8" Pins.....72
415166	Hood Mount Kit.....161	429041	3" Baby Plate.....65
415167	Side Mount Kit (Hostess Tray).....161	429042	Quacker Clamp.....66
415168	Pro Mount System.....151	429045	Junior Offset Arm.....91
415169	Master Mount System.....152	429046	Trombone Baby.....75
415173	Baby Ball Head Adapter.....157	429047	Trombone Junior.....75
415174	Magic Riser.....155	429051	Junior Double Riser Column.....49
415175	Indy Mount.....21, 150	429052	Bazooka Double Riser.....78
415176	Quick Struts.....22	429065	12" Baby Plate.....65
415177	Freedom Car Mount System.....22, 153	429066	Putty Knife with 5/8" Pin.....62
415178	10" Ricky Rods.....23, 153	429085	6" Baby Plate.....65
415179	Right-Angle Ricky Rods.....23, 153	429100	Baby Offset Arm.....91
415180	Swivel Head Camera Mount.....22	429141	Cheater Plate with 3" Pin.....65
417006	Mitchell Camera Riser 6".....164	429228	10" C Clamp with 2-5/8" Pins.....70
417012	Mitchell Camera Riser 12".....164	429229	10" C Clamp.....70
417013	CAM Tank.....31	429232	Right Angle Baby Pin Adapter.....64
417010	10" Suction Cup w/4-Way Tilt Plate.....160	429241	Cheater Adapter.....64
417020	4-Way Tilt Plate w/Allen Wrenches.....160	429301	Jr. Baby Adapter.....64
417022	10" Vacuum Cup w/Swivel Head.....22	429489	Adapter Kit.....63
417023	Pump Cup 10".....160	429482	Brauer Hostess Tray Kit.....24, 154
417024	Mounting Kit.....160	429483	Brauer Hostess Tray (only).....24, 154
417026	4.5" Vacuum Cup w/5/8 Pin.....160	429492	TVMP Adapter.....64
420100	Matthellini Clamp — 2" Center Jaw.....56	429493	TVMP Adapter — Snap-In.....59
420101	Matthellini Clamp — 3" Center Jaw.....56	429499	Extendable Baby Stand Extension.....61
420110	Matthellini Clamp — 2" End Jaw.....56	429580	Baby Triple Header.....61
420113	Extendellini.....57	429581	Baby Double Header.....61
420210	Matthellini Clamp — 6" End Jaw.....56	429582	Junior Wall Plate.....65
420211	Mini Matthellini Clamp 3/8"-16 Male Threaded.....56, 57	429583	Set Wall Bracket.....72
425153	Work Horse Clamp.....162	429584	12" Furniture Clamp.....71
425154	Screw Jack Set — Standard.....162	429589	6" Furniture Clamp.....71
425155	Screw Jack Set — Extended.....162	429590	Right Angle Baby Plate.....65
425157	Baby Grid Clamp.....100, 162	429591	Trapeze.....74
425158	Junior Grid Clamp.....100, 162	429592	18" Furniture Clamp.....71
425159	Right Angle Grid Clamp.....162	429593	24" Furniture Clamp.....71
425160	Swivel Grid Clamp.....100, 162	429594	4" C Clamp with 2-5/8" Pins.....70
425162	Flat Side Grid Clamp.....100	429595	Bar Clamp Adapter with 5/8" Pin.....63, 71
426015	6" Baby Stand Extension.....61	429596	6" C Clamp with 2-5/8" Pins.....70
426016	12" Baby Stand Extension.....61	429597	Baby Pipe Adapter.....63
426017	18" Baby Stand Extension.....61	429598	8" C Clamp with 2-5/8" Pin.....70
426018	24" Baby Stand Extension.....61	429599	6" Pin with Collar.....62
426019	36" Junior Stand Extension.....61	429602	12" C Clamp.....70
427000	Pump Cup 6" with 5/8" Pin.....22, 160	429603	12" C Clamp with 2-5/8" Pins.....70
427005	Pump Cup — 4.5" Vacuum Cup w/Camera Mount...159	429605	36" Furniture Clamp.....71
427006	Pump Cup — 6" Vacuum Cup w/Camera Mount.....159	429606	Heavy Duty Furniture Clamp w/ Bar Clamp.....71
427015	BH-20 Ball Head Assembly w/6" Vacuum Cup ...156, 159	429611	Condor Bracket.....71
427016	BH-30 Ball Head Assembly w/10" Vacuum Cup ...156, 159	429612	Telescoping Hanger Stirrup.....77, 102
427018	Pump Cup — 10" Vacuum Cup w/Cheese Plate.....160	429614	Gag.....62
427019	Wedge.....30, 170	429617	Junior Triple Header.....61
427801	Baby Boom.....90	429618	Baby Pipe Clamp.....100
427802	Mini Boom.....90	429619	Junior Pipe Clamp.....100
427803	Junior Boom.....90	429620	Big Ben Clamp.....100
427804	Baby Drop Down.....90	429621	5/8" Receiver Mounting Plate.....65

INDEX 200

Part No.	Description / Page	Part No.	Description / Page
429622	Studio Overhead Grip Arm.....75	435206E	9-1/2" Half Single SST.....140
429624	Crowder Hanger.....78	435207E	9-1/2" Half Double SST.....140
429625	Crowder Hanger 5/8" Adapter.....78	435215E	12-5/8" Full Single SST.....140
429626-1	1/4"-20 Female.....16, 17	435216E	12-5/8" Half Single SST.....140
429626-2	1/4"-20 Male Thread.....16, 17	435217E	12-5/8" Full Double SST.....140
429626-3	3/8"-16 Female.....16, 17	435218E	12-5/8" Half Double SST.....140
429626-4	3/8"-16 Male Thread.....16, 17	435226E	13" Full Single SST.....140
429626-5	GoPro Mount.....16, 17	435227E	13" Full Double SST.....140
429626-6	5/8" Female.....16, 17	435228E	13" Half Single SST.....140
429626-7	Infinity Mini Matthellini Clamp...16, 17	435229E	13" Half Double SST.....140
429626-8	Shoe Mount.....16, 17	435230E	15-1/2" Full Single SST.....140
429626-9	5/8" Male.....16, 17	435231E	15-1/2" Half Single SST.....140
429627	Infinity Arm Kit.....16, 17	435232E	15-1/2" Full Double SST.....140
429629	JK Clamp.....100	435233E	15-1/2" Half Double SST.....140
429641	Tree Branch Holder.....72	435234E	15-5/8" Full Single SST.....140
429642	Double Gag.....62	435236E	15-5/8" Full Double SST.....140
429648	Bailin Bracket.....72	435240E	21" 10K Full Single SST.....140
429655	Combo Door Rack.....45	435241E	21" 10K Half Single SST.....140
429657	Beefy Baby Stand Door Rack.....43	435242E	21" 10K Full Double SST.....140
429658	Century Stand Door Rack.....41	435243E	21" 10K Half Double SST.....140
429671	4ft. Telescoping Hanger Single.....77, 102	435245E	19-1/2" Full Double SST.....140
429672	6ft. Telescoping Hanger Single.....77, 102	435246E	19-1/2" Half Single SST.....140
429673	8ft. Telescoping Hanger Single.....77, 102	435250E	29" Brute Full Single SST.....140
429674	4-8ft. Telescoping Hanger Double.....77, 102	435251E	29" Brute Half Single SST.....140
429675	5-10ft. Telescoping Hanger Double.....77, 102	435252E	29" Brute Full Double SST.....140
429676	3ft. Telescoping Hanger Single.....77, 102	435253E	29" Brute Half Double SST.....140
429677	3-6ft. Telescoping Hanger Double.....77, 102	435254E	16" Full Single SST.....140
429678	Drop Ceiling Scissor Clamp with 5/8" Pin.....62	435255E	16" Half Single SST.....140
429679	1/2-13 to 5/8" Baby Pin Adapter...22, 77, 102	435256E	16" Full Double SST.....140
429680	Telescoping Hanger Junior Receiver Adapter...77, 102	435257E	16" Half Double SST.....140
429681	Universal Hanger Adapter.....77, 102	435258E	8-1/2" Full Single SST.....140
429682	Meat Axe.....75	435259E	8-1/2" Half Single SST.....140
429683	Mini Meat Axe.....75	435260E	8-1/2" Full Double SST.....140
429688	Drop Down — 45 Degree Angle.....90	435261E	8-1/2" Half Double SST.....140
429690	8" C Clamp with Horizontal Junior Receiver.....70	436101	24"x 36" High Temp. Metal Single.....135
429691	2 - 6ft. Telescoping Hanger Triple.....77, 102	436102	24"x 36" High Temp. Metal Double.....135
429694	4" C Clamp.....70	436105	18"x 24" High Temp. Metal Single.....135
429695	6" C Clamp.....70	436106	18"x 24" High Temp. Metal Double.....135
429696	8" C Clamp.....70	436109	30"x 36" High Temp. Metal Single.....135
429697	8" C Clamp with Vertical Junior Receiver.....70	436110	30"x 36" High Temp. Metal Double.....135
429701	5/8" Female to Female Adapter.....62	437001	Truss Me Bracket — Spacer.....103
429702	Adapter — Baby Pin to 17mm.....68	437002	Truss Me Bracket — Splicer.....103
429733	Drop Ceiling Scissor Clamp with 3/8" Pin.....62	437003	Truss Me Bracket — Base.....103
429751	Heavy Duty Junior Side Arm.....91	437004	Truss Me Bracket with 90° Pass Through.....103
429752	Heavy Duty Baby Side Arm.....91	439004	4" C Clamp — Double Junior Receiver.....70
429779	5/8" Baby Pin with 3/8" Thread.....76, 101	439006	6" C Clamp — Double Junior Receiver.....70
429850	Flag Clamp — Heavy Duty.....91	439008	8" C Clamp — Double Junior Receiver.....70
430126	Hollywood Extendable Baby Offset Arm.....91	439010	10" C Clamp — Double Junior Receiver.....70
430127	Hollywood Junior Extendable Offset Arm.....91	439012	12" C Clamp — Double Junior Receiver.....70
435196E	7-3/4" Full Single SST.....139	439013	Speed C Clamp.....70
435197E	7-3/4" Half Single SST.....139	440000E	23-1/2" Full Single SST.....140
435198E	7-3/4" Full Double SST.....139	440001E	23-1/2" Half Single SST.....140
435199E	7-3/4" Half Double SST.....140	440002E	23-1/2" Full Double SST.....140
435200E	6-5/8" Full Single SST.....139	440004E	24-1/2" Full Double SST.....140
435201E	6-5/8" Half Single SST.....139	440005E	24-1/2" Half Single SST.....140
435202E	6-5/8" Full Double SST.....139	440006E	24-1/2" Full Single SST.....140
435203E	6-5/8" Half Double SST.....139	440007E	24-1/2" Half Double SST.....140
435204E	9-1/2" Full Single SST.....140	441011E	3" Full Single SST.....139
435205E	9-1/2" Full Double SST.....140	441012E	3" Full Double SST.....139

INDEX 201

Part No.	Description / Page
441013E	3" Half Single SST.....139
441014E	3" Half Double SST.....139
445244E	19-1/2" Full Single SST.....140
445245E	19-1/2" Full Double SST.....140
445246E	19-1/2" Half Single SST.....140
445247E	19-1/2" Half Double SST.....140
445303E	5" Half Double SST.....139
445296E	5-1/4" Full Single SST.....139
445297E	5-1/4" Full Double SST.....139
445298E	5-1/4" Half Single SST.....139
445299E	5-1/4" Half Double SST.....139
445300E	5" Full Single SST.....139
445301E	5" Half Single SST.....139
445302E	5" Full Double SST.....139
445310E	7-1/4" Full Single SST.....139
445311E	7-1/4" Half Single SST.....139
445312E	7-1/4" Full Double SST.....139
445313E	7-1/4" Half Double SST.....139
445320E	9" Full Single SST.....140
445321E	9" Half Single SST.....140
445322E	9" Full Double SST.....140
445323E	9" Half Double SST.....140
445330E	10" Full Single SST.....140
445331E	10" Half Single SST.....140
445332E	10" Full Double SST.....140
445333E	10" Half Double SST.....140
445340E	12" Full Single SST.....140
445341E	12" Half Single SST.....140
445342E	12" Full Double SST.....140
445343E	12" Half Double SST.....140
445344E	13-1/2" Full Single SST.....140
445345E	13-1/2" Half Single SST.....140
445346E	13-1/2" Full Double SST.....140
445347E	13-1/2" Half Double SST.....140
445351E	18-3/8" Full Single SST.....140
445352E	18-3/8" Full Double SST.....140
445353E	18-3/8" Half Single SST.....140
445354E	18-3/8" Half Double SST.....140
445375	MiniGrip Bag.....125
445376	Baby Scrim Bag.....140
445377	Junior Scrim Bag.....140
445379	Dot & Finger Pouch Only.....128
445388	Senior Scrim Bag.....140
445390	Scrim Bag.....140
445422E	3" SST Kit — Set of 5.....139
455401E	5" SST Kit — Set of 5.....139
455402E	5 1/4" SST Kit — Set of 5.....139
455403E	6-5/8" SST Kit — Set of 5.....139
455404E	7-1/4" SST Kit — Set of 5.....139
455405E	7-3/4" SST Kit — Set of 5.....140
455406E	8-1/2" SST Kit — Set of 5.....140
455407E	9" SST Kit — Set of 5.....140
455408E	9-1/2" SST Kit — Set of 5.....140
455409E	10" SST Kit — Set of 5.....140
455410E	12" SST Kit — Set of 5.....140
455411E	12-5/8" SST Kit — Set of 5.....140
455412E	13" SST Kit — Set of 5.....140
455419E	23-1/2" SST Kit — Set of 5.....140
455413E	13-1/2" SST Kit — Set of 5.....140
455414E	15-1/2" SST Kit — Set of 5.....140

Part No.	Description / Page
455415E	16" SST Kit — Set of 5.....140
455416E	18-3/8" SST Kit — Set of 5.....140
455417E	19-1/2" SST Kit — Set of 5.....140
455418E	21" SST Kit — Set of 5.....140
455420E	24-1/2" SST Kit — Set of 5.....140
455421E	29" SST Kit — Set of 5.....140
499173	18"x 24" 1/4 Stop Silk — White Recover.....192
499174	18"x 24" China Silk — White Recover.....192
499175	24"x 30" 1/4 Stop Silk — White Recover.....192
499176	24"x 30" China Silk — White Recover.....192
499177	24"x 36" 1/4 Stop Silk — White Recover.....192
499178	24"x 36" China Silk — White Recover.....192
499179	30"X 36" 1/4 Stop Silk — White Recover.....192
499180	30"x 36" China Silk — White Recover.....192
499181	48"x 48" 1/4 Stop Silk — White Recover.....192
499182	48"x 48" China Silk — White Recover.....192
499185	48"x 48" Grid Cloth Scrim — Recover.....192
499190	12"x 18" Single Scrim — Black Recover.....193
499191	12"x 18" Double Scrim — Black Recover.....193
499192	12"x 18" Artificial Silk — White Recover.....193
499193	12"x 18" Lavender Scrim — Recover.....193
499194	18"x 24" Single Scrim — Black Recover.....193
499195	18"x 24" Double Scrim — Black Recover.....193
499196	18"x 24" Artificial Silk — White Recover.....193
499197	18"x 24" Lavender Scrim — Recover.....193
499198	24"x 30" Single Scrim — Black Recover.....193
499199	24"x 30" Double Scrim — Black Recover.....193
499200	24"x 30" Artificial Silk — White Recover.....193
499201	24"x 30" Lavender Scrim — Recover.....193
499202	24"x 36" Single Scrim — Black Recover.....193
499203	24"x 36" Double Scrim — Black Recover.....193
499204	24"x 36" Artificial Silk — White Recover.....193
499205	24"x 36" Lavender Scrim — Recover.....193
499206	30"x 36" Single Scrim — Black Recover.....193
499207	30"x 36" Double Scrim — Black Recover.....193
499208	30"x 36" Artificial Silk — White Recover.....193
499209	30"x 36" Lavender Scrim — Recover.....193
499210	48"x 48" Single Scrim — Black Recover.....192
499211	48"x 48" Double Scrim — Black Recover.....192
499212	48"x 48" Artificial Silk — White Recover.....192
499214	12"x 18" 1/4 Stop Silk — White Recover.....193
499215	12"x 18" China Silk — White Recover.....193
499220	24"x 48" Single Scrim — Recover.....192
499222	48"x 48" Lavender Scrim — Recover.....192
499223	48"x 48" Floppy Flag — Recover.....192
499229	24"x 48" Double Scrim — Recover.....192
499230	24"x 48" Artificial Silk — White Recover.....192
499234	18"x 24" Triple Scrim — Black Recover.....193
499235	24"x 30" Triple Scrim — Black Recover.....193
499236	24"x 36" Triple Scrim — Black Recover.....193
499237	12"x 18" Triple Scrim — Black Recover.....193
499238	30"x 36" Triple Scrim — Black Recover.....193
499239	48"x 48" Triple Scrim — Black Recover.....192
499240	24"x 72" Floppy Cutter — Recover.....192
499250	24"x 48" Floppy Flag — Recover.....192
509213	12"x 18" Flag — Recover.....192
509214	18"x 24" Flag — Recover.....192
509215	24"x 30" Flag — Recover.....192
509216	24"x 36" Flag — Recover.....192
509217	30"x 36" Flag — Recover.....192

INDEX 202

Part No.	Description / Page	Part No.	Description / Page
509218	10"x 42" Cutter — Recover.....192	569145	Artificial Silk White — 60" Wide/Cut.....188
509219	18"x 48" Cutter — Recover.....192	570003	6'x 6' Silver Grifflector.....120
509220	24"x 72" Cutter — Recover.....192	570004	12'x 12' Silver Grifflector.....122
509221	48"x 48" Cutter — Recover.....192	570005	20'x 20' Silver Grifflector.....123
509222	24"x 48" Cutter — Recover.....192	570012	8'x 8' Silver Grifflector.....121
509240	10"x 12" Flex Scrim Solid — Recover.....192	579149	Duvetyne 54" Wide.....188
511661	Candlestick.....71	589145	Gridcloth 54"/Per Linear Yard.....188
515003	Elemac Mounting Plate.....165	589146	Lite Gridcloth 54"/Per Linear Yard.....188
515021	Elemac to Elemac Arm.....164, 165	589149	Silver Lame 45" Wide/Per Linear Yard.....188
515024	Elemac to Mitchell Adapter.....164, 165	589150	Gold Lame 45" Wide/Per Linear Yard.....188
515025	Mitchell to Elemac Adapter.....164	589151	Lavender 54" Wide/Per Linear Yard.....188
521000	Lo Boy Vator III Single Riser.....10, 11, 54	589153	Gold Lame 44" Wide/Bolt.....188
521001	Lo Boy Vator III Double Riser.....10, 11, 54	589154	1/4 Gridcloth 54"/Per Linear Yard.....188
521002	Midi Vator III.....10, 11, 54	589156	Bleached Muslin 108" Wide/Per Linear Yard.....188
521003	Super Vator III.....10, 11, 54	589157	Unbleached Muslin 108" Wide.....188
521004	Crank-O-Vator III.....10, 11, 54	622005	Combo/Scrim Flag Survival Kit.....180
529176	12"x 18" Scrim Frame Open End.....133	655020	20" Hollywood Head & Arm — Complete.....41
529177	18"x 24" Scrim Frame Open End.....133	655040	40" Hollywood Head & Arm — Complete.....41
529178	24"x 30" Scrim Frame Open End.....133	680011	Broken Arm.....69
529179	24"x 36" Scrim Frame Open End.....133	681012	20" Hollywood Arm.....41
529180	30"x 36" Scrim Frame Open End.....133	681013	40" Hollywood Arm.....41
529182	24"x 48" Scrim Frame Open End.....133	709111	3" Dot Frame.....133
529604	12K Extension Ear — Set of 3.....74	709112	6" Dot Frame.....133
538189	48"x 48" Flag Frame.....127, 133	709113	10" Dot Frame.....133
539190	40"x 40" Cutter Frame.....133	709114	2"x 12" Finger Frame.....133
539281	12"x 18" Flag Frame.....133	709115	4"x 14" Finger Frame.....133
539282	18"x 24" Flag Frame.....133	719090	12'x 12' Black/White Griff T55.....122
539283	24"x 30" Flag Frame.....133	719104	6'x 6' Black/White Griff T55.....120
539284	24"x 36" Flag Frame.....133	719108	8'x 8' Black/White Griff T90.....121
539285	30"x 36" Flag Frame.....133	719114	8'x 8' White/White Griff T55.....121
539286	10"x 42" Cutter Frame.....133	719125	12'x 20' Black/White Griff T55.....122
539287	18"x 48" Cutter Frame.....133	719153	Griffylon Black & White T55, Gloss 12'x 100'.....188
539288	24"x 72" Cutter Frame.....133	719154	Griffylon Black & White T55, Gloss 20'x 100'.....188
540001	Hollywood Superflex Arm Snap In.....68	719155	Griffylon White & White T55, Gloss 12'x 100'.....188
540004	Super Mafer.....58	719156	Griffylon White & White T55, Gloss 20'x 100'.....188
540011	Double Super Mafer.....58	719194	Griffylon Black & White T55 cut per sq. foot.....188
540015	Stem Head.....58	719200	Matthbounce 60" Wide/Per Linear Yard...188
540023	Scrim Flag Adapter.....68	719547	20'x 20' Black/White Griff T55.....123
540024	Knuckle Head.....68	719548	20'x 30' Griff Black/White T55.....123
541004	Super Mafer w/Pin.....58	719671	6'x 6' White/White Griff T55.....120
549098	60"x 60" Square Tube Frame.....134	719672	12'x 12' White/White Griff T55.....122
549099	36"x 36" Square Tube Frame.....134	719673	20'x 20' White/White Griff T55.....123
549100	48"x 48" Square Tube Frame.....134	719701	Griff Tape 1 Roll — White.....189
549120	48"x 48" Knife Blade Frame.....134	719702	Griff Clips #4 Pack of 100.....189
549121	24"x 36" Knife Blade Frame.....134	719703	Griff Tape 1 Roll — Black.....189
549122	18"x 24" Knife Blade Frame.....134	719704	Fab Tape 1 Roll.....189
549123	30"x 36" Knife Blade Frame.....134	719705	Muslin Repair Tape 2"x 15".....189
549129	20ft. Extension Ladder.....147	719706	6'x 6' Black/White Griff T90.....120
549130	4ft. Double Sided Ladder.....147	719707	12'x 12' Black/White Griff T90.....122
549131	6ft. Double Sided Ladder.....147	719708	20'x 20' Black/White Griff T90.....123
549132	8ft. Double Sided Ladder.....147	719709	Duvetape 2"x 5 Yards.....189
549133	10ft. Double Sided Ladder.....147	719714	Duvetape 3"x 5 Yards.....189
549134	12ft. Double Sided Ladder.....147	725063	4-Way Leveling Head with Elemac Mount.....164
549135	4ft. Single Sided Ladder.....147	735152	Slide Plate.....163
549136	6ft. Single Sided Ladder.....147	735156	Tie Down Strap — Adjustable.....162
549137	8ft. Single Sided Ladder.....147	735161	Side Mount Bracket Assembly.....161
549138	10ft. Single Sided Ladder.....147	735161	Side Mount Bracket Assembly Only.....161
549139	12ft. Single Sided Ladder.....147	754042	C Stand w/Multiple Sliding Legs.....41
559152	Bobbinet 288" Wide — Black/Cut.....188	756020	20" C Stand w/Sliding Leg Includes Grip Head & Arm...39
559153	Bobbinet 288" Wide — White/Cut.....188	756040	Hollywood 40" C+ Stand Double Riser.....38

INDEX 203

Part No.	Description / Page	Part No.	Description / Page
756120	20" Hollywood C+ Stand with Turtle Base.....39	299553E	25lb. Empty Sandbag Cordura — Black.....142
756140	Hollywood 40" C+ Stand with Turtle Base.....38	299557E	35lb. Empty Sandbag Cordura — Black.....142
779128	10"x 12" Flex Frame Open End.....133	299559E	15lb. Empty Sandbag Cordura — Black.....142
779129	12"x 20" Flex Frame Open End.....133	29955E	15lb. Empty Sandbag Cordura.....142
779699	10"x 12" Flex Frame Solid.....133	29956E	35lb. Empty Sandbag Cordura.....142
779700	12"x 20" Flex Frame Solid.....133	299577E	5lb. Empty Sandbag Cordura — Black.....142
789242	3" Dot Single Scrim — Black Recover.....192	29957E	5lb. Empty Sandbag Cordura.....142
789243	6" Dot Single Scrim — Black Recover.....192	29958E	5lb. Empty Water Repellent Sandbag.....142
789244	10" Dot Single Scrim — Black Recover.....192	29959E	15lb. Empty Water Repellent Sandbag.....142
789245	3" Dot Double Scrim — Black Recover.....192	29960E	25lb. Empty Water Repellent Sandbag.....142
789246	6" Dot Double Scrim — Black Recover.....192	29961E	35lb. Empty Water Repellent Sandbag.....142
789247	10" Dot Double Scrim — Black Recover.....192	319696/100	Hi Light — 55" Wide.....188
789248	3" Dot Solid — Recover.....192	319697/100	Silent Frost — 48" Wide.....188
789249	6" Dot Solid — Recover.....192	329040-1	Sound Blanket with Grommets.....143
789250	10" Dot Solid — Recover.....192	377578-40	Guy Rope Safety Set.....52
789251	3" Dot Artificial Silk — White Recover.....192	377704-2	Intel-A-Jib Extension Kit...94
789252	6" Dot Artificial Silk — White Recover.....192	377704-30	Intel-A-Jib Cable System...94
789253	10" Dot Artificial Silk — White Recover.....192	395100-4	Doorway Dolly Push Bar.....20
789254	3" Dot Lavender Scrim — Recover.....192	409100-1	Corner for 1" Square Tube.....13, 113
789255	6" Dot Lavender Scrim — Recover.....192	377704-2	Intel-A-Jib Extension Kit.....94
789256	10" Dot Lavender Scrim — Recover.....192	409100-3	Quick Reverse Ear.....113
789257	2"x 12" Finger Single Scrim — Black Recover.....192	409500-1	Corner for 1-1/4" Square Tube.....112
789258	4"x 14" Finger Single Scrim — Black Recover.....192	409500-3	Ear for 1-1/4" Square Tube.....112
789259	2"x 12" Finger Double Scrim — Black Recover.....192	420112-S15	Mini Matthellini Clamp 1/4"-20 Female.....56, 158
789260	4"x 14" Finger Double Scrim — Black Recover.....192	47-1007	Silent Gridcloth Lite 54"/Per Linear Yard.....188
789261	2"x 12" Finger Solid — Recover.....192	47-1014	Silent Gridcloth 40"/Per Linear Yard.....188
789262	4"x 14" Finger Solid — Recover.....192	47-1052	Light Box Diffusion, 58" Wide.....188
789263	2"x 12" Finger Silk — White Recover.....192	47-1060	1/4 Silent Gridcloth 54"/Per Linear Yard.....188
789264	4"x 14" Finger Artificial Silk — White Recover.....192	6049/100	6" Suction Cup w/3/8"-16 Stud.....160
789265	2"x 12" Finger Lavender — Recover.....192	6084/100	Leveling Pad — Large.....162
789266	4"x 14" Finger Lavender Scrim — Recover.....192	6104/100	Silver Omega 54" Wide/Per Linear Yard.....188
811171	DL-7 Dolly for the MT1.....168	6111/100	Leveling Pad — Small.....162
812170	MT1 Heavy Duty Tripod Motion Picture Mitchell Mount...168	719197/100	Griffylon Black/White T90 20'x 100'.....188
812175	MT1 Heavy Duty Tripod TV Style Mitchell Mount...168	AA1019	Mitchell Mount.....30
815121	Claw Ball to Mitchell Flat Base Adapter.....164	AA1020/3X	Stand Offs (3 Pcs).....30
815510	Mitchell High Hat.....163	B119069	24"x 24" Silver Aluminum Hand Reflector.....107
815515	High Hat 100mm Claw Ball.....163	B119069G	24"x 24" Gold Aluminum Hand Reflector.....107
845120	CBC Adapter 100mm Bowl...163	B119736	Polito Bracket.....107
845122	CBC Adapter 150mm Bowl.....163	B119737	K-Stacker.....88
861832	Digital Imaging Technician (DIT) Tray.....79	B119738	Pivoting Yoke for Matthboard.....107
861833	3/8 to 5/8 Baby Adapter.....63, 85	B149022	30"x 36" Artificial Silk — Black.....131
861862	Monitor Mount.....87	B149025	30"x 36" 1/4 Stop Silk — Black.....131
861863	200mm Adapter Plate.....87	B149031	30"x 36" China Silk — Black.....131
999001	Flex Scrim Survival Kit.....129, 181	B149046	12"x 18" 1/4 Stop Silk — Black.....130
999002	Reflector Survival Kit.....182	B149103	12"x 18" Artificial Silk — Black.....130
999003	Dot & Finger Survival Kit.....128, 181	B149545	18"x 24" Artificial Silk — Black.....130
999004	C+ Survival Kit.....180	B149549	18"x 24" 1/4 Stop Silk — Black.....130
999005	Mounting Hardware Survival Kit.....182	B149550	24"x 36" 1/4 Stop Silk — Black.....131
999006	Scrim/Flag Survival Kit.....183	B149555	18"x 24" China Silk — Black.....130
999007	6'x 6' Butterfly Survival Kit.....183	B149556	24"x 36" China Silk — Black.....131
999012	18"x 24" Lighting Control Kit.....109, 185	B149566	24"x 36" Artificial Silk — Black.....131
999013	24"x 36" Lighting Control Kit.....109, 185	B159015	48"x 48" Artificial Silk — Black.....131
999026	RoadRags C-Vival Kit.....125, 184	B159021	48"x 48" 1/4 Stop Silk — Black.....131
999028	Road Flags II Kit.....127	B159031	48"x 48" China Silk — Black.....131
999042	Magic Stand.....48	B209642	Swivel U-Hook Snap-In.....59
18069-22	Hex Pin tp 1/4-20.....59	B238123	10"x 12" Flex Scrim Artificial Silk — Black.....129
169028B	48"x 48" Floppy Cutter — Bottom.....132	B238126	10"x 12" Flex Scrim 1/4 Stop Silk — Black.....129
169028T	48"x 48" Floppy Cutter — Top.....132	B238127	10"x 12" Flex Scrim China Silk — Black.....129
20027-10	1/4-5/8 Pin.....86	B238128	12"x 18" China Silk — Black.....130
29952E	25lb. Empty Sandbag Cordura.....142	B238224	12"x 20" Flex Scrim Artificial Silk — Black.....129

INDEX 204

Part No.	Description / Page
B309071	6'x 6' Snap-A-Part Light Duty Frame — Black.....110
B309084	6'x 6' Artificial Silk — Black.....120
B309605	6'x 6' China Silk — Black.....120
B309610	6'x 6' 1/4 Stop Silk — Black.....120
B319000	12'x 12' Artificial Silk — Black.....121
B319403	8'x 8' Artificial Silk — Black.....120
B319404	8'x 8' China Silk — Black.....121
B319405	8'x 8' 1/4 Stop Silk — Black.....121
B319544	20'x 20' Artificial Silk — Black.....122
B319609	12'x 12' China Silk — Black.....121
B319613	12'x 12' 1/4 Stop Silk — Black.....121
B319643	12'x 20' China Silk — Black.....122
B319644	20'x 20' China Silk — Black.....122
B319646	20'x 20' 1/4 Stop Silk — Black.....122
B319687	12'x 20' Artificial Silk — Black.....122
B319688	12'x 20' 1/4 Stop Silk — Black.....122
B339561	30" C Stand w/Spring Loaded Base, Black.....40
B339568	60" C Stand w/Spring Loaded Base, Black.....40
B339573	20" C-Stand w/Spring Loaded Mini Base, Black.....40
B339759	Spring Loaded Turtle Base, Black.....41
B339774	Century 20" Double Riser, Black.....40
B339764	Century 40" Double Riser Black Spring Load, Black.....40
B350580	Hollywood — 2-1/2" Grip Head, Black.....41, 60
B350585	Quick Head.....22
B366167	Aluminum Combo Stand.....47
B366168	Aluminum Baby Stand.....47
B369765	Aluminum/Steel Triple Riser Combo Stand...47
B377700	MAX Menace Arm.....96, 97
B377704-2	Intel-A-Jib Extension Kit.....94
B377700-6	MAX 6" Extension Arm w/ Locking Swivel Pin.....98
B377700-7	MAX 720 Pipe Adapter.....98
B377701	Mini MAX.....95
B377702	Mini Max Camera Mount.....95
B377705	Minivator II.....12, 53
B377706	4" Wheel Set.....12, 53
B387485	Kit — Medium Duty Maxi — Black.....36
B387486	Reverse Stand.....35
B387487	Kit — Light/Heavy Double Riser — Black.....37
B387489	MERF Stand.....34
B387490	Kit — Light/Heavy Triple Riser — Black.....37
B389787	Kit — Light/Medium with Brake — Black.....36
B389788	Kit — Medium Duty with Brake — Black.....36, 79
B427080	Maxi Matthpole — Black.....73
B427082	Matthpole — Black.....73
B427083	Mini Matthpole — Black.....73
B427802	Mini Boom — Black.....90
B429037	T-Bone.....74
B429500	Flex Clamp — Black.....67
B429587	Gaffer Grip.....67
B429616	Hollywood Hanger.....112
B429720	1-2ft. Lightweight Telescoping Hanger.....76, 101
B429722	2-4ft. Lightweight Telescoping Hanger.....76, 101
B429724	3-6ft. Lightweight Telescoping Hanger.....76, 101
B429726	1.5-3ft. Lightweight Telescoping Hanger.....76, 101
B429728	4-8ft. Lightweight Telescoping Hanger.....76, 101
B429734	5-10ft. Lightweight Telescoping Hanger.....76, 101
B429740	1-2ft. Lightweight Hanger with Stirrup.....76, 101
B429742	2-4ft. Lightweight Hanger with Stirrup.....76, 101
B429744	3-6ft. Lightweight Hanger with Stirrup.....76, 101

Part No.	Description / Page
B429746	1.5-3ft. Lightweight Hanger with Stirrup.....76,101
B429748	4-8ft. Lightweight Hanger with Stirrup.....76, 101
B429753	Grip Helper Junior — Black.....78
B429754	5-10ft. Lightweight Hanger with Stirrup.....76, 101
B499173	18"x 24" 1/4 Stop Silk — Black Recover.....193
B499174	18"x 24" China Silk — Black Recover.....193
B499175	24"x 30" 1/4 Stop Silk — Black Recover.....193
B499176	24"x 30" China Silk — Black Recover.....193
B499177	24"x 36" 1/4 Stop Silk — Black Recover.....193
B499178	24"x 36" China Silk — Black Recover.....193
B499179	30"x 36" 1/4 Stop Silk — Black Recover.....193
B499180	30"x 36" China Silk — Black Recover.....193
B499181	48"x 48" 1/4 Stop Silk — Black Recover.....192
B499182	48"x 48" China Silk — Black Recover.....192
B499192	12"x 18" Artificial Silk — Black Recover.....193
B499196	18"x 24" Artificial Silk — Black Recover.....193
B499200	24"x 30" Artificial Silk — Black Recover.....193
B499204	24"x 36" Artificial Silk — Black Recover.....193
B499208	30"x 36" Artificial Silk — Black Recover.....193
B499212	48"x 48" Artificial Silk — Black Recover.....192
B499214	12"x 18" 1/4 Stop Silk — Black Recover.....193
B499215	12"x 18" China Silk — Black Recover.....193
B540004	Super Mafer — Black.....58
B541004	Super Mafer w/Pin — Black.....58
B569145	Artificial Silk Black — 60" Wide/Cut.....188
B589168	China Silk Black — 45" Cut.....188
B6090-12	12 Pack of Mathties.....126
B6090-20	20 Pack of Mathties.....126
B6157	1/4 Stop Silk Black — 118" Wide/Cut.....188
B655020	20" Hollywood Head & Arm — Black.....41
B655040	40" Hollywood Head & Arm — Black.....41
B681012	20" Hollywood Arm — Black.....41
B681013	40" Hollywood Arm — Black.....41
B756020	20" C-Stand w/ Sliding Leg, Grip Head & Arm...39
B756040	40" C-Stand w/Sliding Leg, Black.....38
B756120	20" C-Stand w/Turtle Base, Black...39
B756140	40" C-Stand w/Turtle Base, Black.....38
BH-20	Ball Head Camera Mount.....156, 159
BH-30	Ball Head Camera Mount.....30, 156, 159
H377573	Medium Overhead Roller Stand.....50
H377574	Hi-Hi Overhead Roller Stand.....50
H377575	Hi-Hi Overhead Stand — Wide Base.....50
H377577	Hi-Hi Overhead Roller Stand.....50
H386020	Baby Junior Triple Riser.....44
H386021	Low Boy Junior Double Riser.....49
H386022	Junior Stand Double Riser.....49
H386025	Baby Junior Double Riser.....44
H386026	Low Boy Senior Stand Double Riser.....49
H386027	Senior Stand Double Riser.....49
H386033	Junior Stand Triple Riser.....49
M219063	3" Single Scrim.....80
M219073	3" Double Scrim.....80
M219083	3" Solid.....80
M219093	3" Art Silk.....80
M229111	2"x 4" Single Scrim.....80
M229112	2"x 4" Double Scrim.....80
M229113	2"x 4" Art Silk White.....80
M229114	2"x 4" Solid.....80

matthews studio equipment 2016

APPROXIMATE WEIGHTS & MEASURES – PACKED

ITEM	DESCRIPTION	Length	Width	Height	Weight
119070	Refl, 42. OSQ,W/BRAKE GOLD	54	10	53	52
119123	2 PLACE REFLECTOR BOX	54	10	53	52
119124	REFL BOX: 42x42" 4 PLC	52	50	12	75
119726	REFL, MATTHBD, STAND,SILVER (x2PCS)	45	6	45	21
119728	REFL, MATTHBD, FILL, SILVER (x1PC)	45	6	45	15
119732	REFL, 42.OSQ, W/BRAKE SILVER	50	5	53	38
119752	REFL, 42.OSQ, STD MIRROR	50	5	53	47
169004	CUTTER, 18x48"	20	3	55	8
169028T	FLOPPY, 48x48", TOP HINGE	51	3	57	15
169029	FLOPPY, 24x72", SIDE	26	4	80	9
169059	FLAG, 18x24"	20	3	33	6
169062	FLAG, 24x36"	25	4	44	8
179542	BOX, 24x36" SCRIM/FLAG	47	9	27	30
179554	CASTER BASE WMT, 179563	28	8	26	21
179563	BOX, 4 PLACE SCRIM/FLAG	47	27	28	78
249561	STAND SLIDER	6	7	26	15
309079	FRAME, JUST-A, 6x6'	77	4	19	25
309078	6x6' KIT SET BUTTERFLY BREAKDOWN	77	4	19	25
309108	LT DUTY TRAVEL KIT (assy)	49	12	12	40
309304	FLAG BAG, ZIPPERED, 48x48"	52	6	51	22
319078	JUST-A-FRAME, 12x12'	12	4	150	33
319087	O/H, 12x12' , SCRIM, 1X	12	12	12	8
319096	O/H, 12x12', SCREEN, GREEN CRMKEY	20	20	12	10
319159	O/H, 20x20', BLUE/GREEN CRMKEY	53	11	30	30
319160	OH,12x12', BLUE/GREEN,CHRMKEY	20	20	14	10
319167	O/H 20x20' DIGITAL BLUE/GREEN	53	11	30	30
319524	O/H,20x20', SOLID	32	12	12	35
319604	FRAME,JUST-A,20'x20	12	7	130	105
319792	O/H,12x12' DIGITAL GREEN	20	20	12	10
339561	C-STD, FL, 2xR, 30"	22	4	55	26
339562	C-STD, SL, SXR, 30"	22	4	55	15
339567	NSL, 2xR, SL, 40"/GH&ARM	22	4	55	31
339568	C-STD, FL, 2xR, 60"	22	4	77	21
339570	NSL, 2xR, SL, 20"/GH&ARM	22	4	34	18
339573	C-STD, FL, 2xR, 20" MINI BASE	22	4	34	10
339759	C+TURTLE BASE	20	4	30	10
339764	C-STD, FL, SXR, 40" W GH&ARM	22	4	55	21
339774	C-STD, FL, SXR, 20" W GH&ARM	22	4	34	15
349581	GRPHD, 4.5", MAGIC	8	8	8	6
366065	STD, COMBO, SKY HI, 3x RISER	7	7	65	33
366066	STD, COMBO, LOWBOY, 2xRISER	7	7	48	19
366068	WHEEL ADAPTOR, SET, COMBO	10	10	10	12
366165	STD,COMBO, 3xR, HOLLYWOOD	7	7	64	32
369673	STD,COMBO, 2xR, HOLLYWOOD	7	7	55	24
369675	COMBO DIGITAL STD 2xRISER	7	7	55	22
369764	STD, COMBO, 2XR, H'WOOD ALM	7	7	61	19
377575	STD, OH, HIHI, WIDE BASE RML	13	13	86	52
377583	N/S, MOMBO COMBO HOLLYWOOD	9	7	84	56
377585	MINI MOMBO COMBO	13	13	65	40
377702	TELESCOPING BAZOOKA 24"	23	13	11	12
377704	INTEL A-JIB, COMPLETE JIB ARM (w/cases)	10	10	65	64
		11	14	34	67
377742	MATTHEWS SLIDER 29	37	5	15	41
377743	MATTHEWS SLIDER 35	37	5	15	43
377744	MATTHEWS SLIDER 45	51	5	15	76
386034	STD, PREM BABY, ALUMINUM	7	7	36	8
386038	STD, PREM BABY, MINI, STEEL	7	7	30	6
387030	STD, B-BABY, HOLLYWOOD, 2xR, RML	6	6	52	18
387031	STD, B-BABY, H'LLYW'D ,3x, RML (single)	5	5	48	16
387031	STD, B-BABY, H'LLYW'D ,3x, RML (box of 4)	12	12	48	62
387032	BABY DIGITAL STD 3xRISER	6	6	52	22
387402	REVENGER STAND - BLACK	5	5	22	4
387485	KIT STD, M-DUTY, MAX, ST	6	6	48	12
388201	JR. RUNWAY BASE ONLY	23	13	11	18
395012	HOT BUT 2's DWD TRK SET (4)N/S	10	10	10	15
395043	DOLLY, DOORWAY W/TURRET	50	40	40	290
395047	RUSSIAN DOLLY W/POP	80	65	25	297
395100	DWD, DOORWAY DOLLY, N/S	13	32	52	130
395199	CASE, CENTIPEDE W/WHEELS	40	17	13	35
395201	CENTIPEDE, 2's, SET (2)	40	13	17	35
395300	DOORWAY DOLLY ROUNDY	57	34	19	260

APPROXIMATE WEIGHTS & MEASURES – PACKED

ITEM	DESCRIPTION	Length	Width	Height	Weight
397050	TRACK, ST, CURVD, 20'D, DOLLY (x2PCS)	40	5	98	75
397054	TRACK, ST, STARTER, DOLLY	7	7	36	10
397055	TRACK, ST, 8' STRAT, DOLLY	5	5	126	48
397059	TRACK, SS, CURVD, 20'D, DOLLY	40	5	98	44
397065	TRACK, SS, 8' STRAT, DOLLY	5	5	126	48
397067	TRACK, SS, 10' STRAT, DOLLY	5	5	150	58
397070	TRACK, SS, 4' STRAT, DOLLY	5	5	65	38
397080	TRACK, SS, CURVD, 10' DOLLY	40	5	94	50
397081	TRACK, ST, CURVD, 10'D, DOLLY	40	5	94	50
399735	TRACK, ST, 4' STRAT, DOLLY	5	5	65	38
399736	TRACK, ST, 10' STRAT, DOLLY	5	5	150	58
409106	FRAME, MATTH, SQ, 6x6'	10	6	90	21
409112	FRAME, MATTH, SQ, 12x12'	10	6	160	32
409202	QUICK CORNER FRAME 8x8'	10	6	103	27
409312	FRAME, SNAP-A, SQ, 12x12'	81	10	6	30
409312	FRAME, SNAP-A, SQ, 12x12'	81	10	6	30
409520	FRM HD MATTH, 20x20'	10	6	128	63
		10	10	10	17
409708	FRM, HD SNAP-A, 8x8'	10	6	57	23
409712	FRAME, HD SNAP-A, SQ, 12x12'	80	10	6	30
427801	BABY MATTH BOOM	48	9	5	16
427802	BOOM, MINI MATTH	48	7	7	13
427803	BOOM, JR MATTH	10	6	76	44
429622	ARM, STUDIO O/H GRIP	48	7	7	11
429674	HANGR, TELE, 2x, @4-8'	54	7	7	19
429675	HANGR, TELE, 2x, @5-10'	63	7	7	21
429676	HANGR, TELE, 1x, @3'	37	7	7	13
429677	HANGR, TELE, 2x, @3-6'	41	7	7	16
429691	HANGR, TELE, 3x, @2-6'	33	7	7	16
529604	12K EXT, TT-BRKT, SET(3) KIT	7	7	36	26
549100	GEL FRAME, 48x48x3/4"	51	3	57	18
549120	GEL FRAME, KNIFE BLADE, 48x48"	51	3	57	18
549129	LADDER 20 FT EXTENSION	-	-	-	60
549130	LADDER 4 FT DOUBLE	-	-	-	22
549131	LADDER 6 FT DOUBLE	-	-	-	27
549132	LADDER 8 FT DOUBLE	-	-	-	37
549133	LADDER 10 FT DOUBLE	-	-	-	45
549134	LADDER 12 FT DOUBLE	-	-	-	65
549135	LADDER 4 FT SINGLE	-	-	-	17
549136	LADDER 6 FT SINGLE	-	-	-	22
549137	LADDER 8 FT SINGLE	-	-	-	34
549138	LADDER 10 FT SINGLE	-	-	-	41
549139	LADDER 12 FT SINGLE	-	-	-	51
622005	PACKAGE-COMBO SCRIM/FLAG KIT	47	28	17	133
754042	STD, 2xR, FL, 40", 2SL	22	4	55	12
756020	H/C, 2xR, FL, 20"/GH&ARM	22	4	35	16
756040	H/C, 2xR, FL, 40"/GH&ARM	22	4	55	23
756120	H/C+, 2xR, FL, 20"/GH&ARM	22	4	35	17
756140	H/C+, 2xR, FL, 40"/GH&ARM	22	4	55	23
811171	DOLLY, D7A, FOR MT1	16	16	40	35
812170	TRIPOD, MT1	12	12	44	39
999002	SURVIVAL KIT, RFLECT	50	6	48	76
999004	SURVIVAL KIT, C+	51	16	11	90
999005	SURVIVAL KIT, MOUNTAIN	27	22	9	74
999006	SCRIM FLAG KIT	46	28	12	90
999007	SURVIVAL KIT, 6x6	46	14	9	57
999012	LIGHT CONTRL KIT, 18x24"	20	5	33	16
999013	LIGHT CONTRL KIT, 24x36" KIT	25	5	46	22
999026	ROAD RAG C-VIVAL KIT	53	17	7	56
999027	48X48 ROAD FLAG KIT(assy)	51	6	31	21
999042	MAGIC STD W/RUNWAY	13	13	58	47
B119069	24X24 AL REF W/ADJ	32	4	27	11
B119737	K-STACKER	6	6	48	12
B119738	PIVOT YOKE, MATTHBOARD, BLACK	44	31	3	8
B366065	STAND COMBO SKY HI, 3xR, BLACK	7	7	65	33
B366167	COMBO STD ALM RD LEGS BLK SXR	7	7	48	12
B377700	MAX MENACE ARM, ASSY	85	34	32	382
B377701	MINI MAX	73	7	12	46
B387485	KIT STD, M-DTY MAXI	6	6	48	12
B387486	REVERSE FOLDING KIT STAND BLACK - 1 PACK	5	5	30	6
B387486	REVERSE FOLDING KIT STAND BLACK - 12 PACK	25	12	15	44
B387487	KIT STD, LT/HWY, 2xR	40	7	7	10

matthews studio equipment 2016

MATTHEWS

MATHTOUGH™



TECHNOLOGY THAT COMPLEMENTS YOUR IMAGINATION

4520 WEST VALERIO STREET • BURBANK CALIFORNIA 91505 USA

T:818/843.6715 • F:818/843.7419

www.msegrip.com • info@msegrip.com