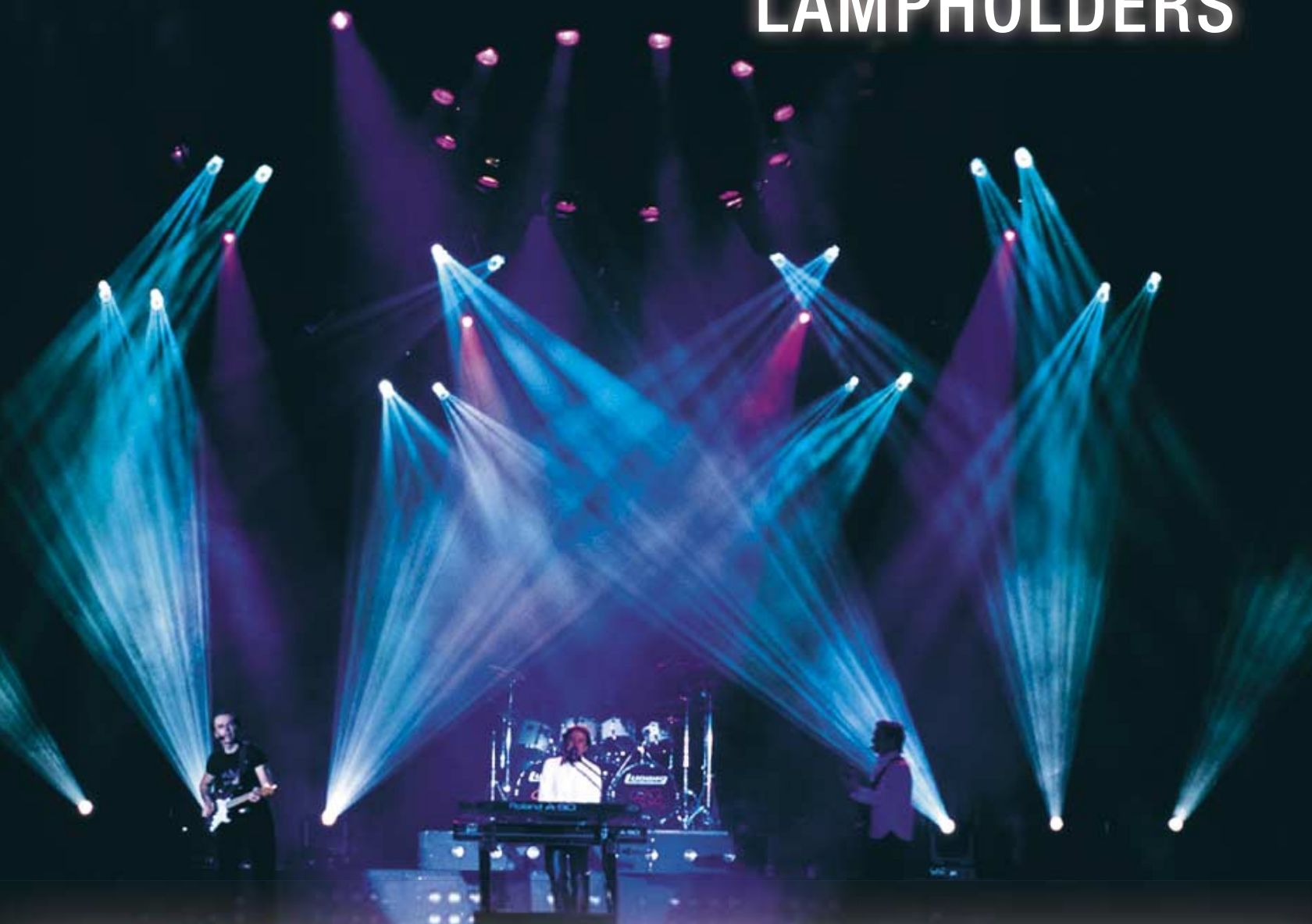


LAMPHOLDERS



www.sylvania.com/lampholders



ABOUT SYLVANIA

SYLVANIA has been the leading lighting innovator for over 100 years. Our line of high quality lampholders has been a benchmark in the industry since 1968.

Lampholders are key drivers of performance in any lighting system. Count on SYLVANIA to deliver quality lampholder solutions backed by fast and reliable customer service. **To better meet the needs of our customers, we are broadening our product offering to include innovative lampholders for metal halide lamps.**

The SYLVANIA lampholder line includes a variety of wire types, wire lengths, strip lengths and terminations. We offer enhancements such as reflectors, mounting brackets and other hardware, upon request. In addition, our experienced design team can customize standard products to meet your specific requirements.

For easy reference, this catalog lists our lampholders by lamp base type and provides part numbers available for each type. For more information on how SYLVANIA lampholders can meet your needs, please contact our customer service representative at (717) 848-8080 ext. 248, or visit www.sylvania.com/lampholders.

Table of Contents

Ordering Information.....	1
Lamp Base Guide	2,3



TUNGSTEN HALOGEN

PAR Lamp Base:

PAR-1	4
PAR-2	5
PAR-3	6

Double Ended Lamp Base:

S2	7
S26	8
S26A	9
S26AF	10
S26C	11
S26D	12
S26F	13

Mini-Can Screw Lamp Base:

S4	14
S7	15
S25	16
S48	17

2-Pin Polarized Lamp Base:

TP6L or R	18
TP7L or R	18
TP23H or L	19
TP27	20

2-Pin All Glass Lamp Base:

TP9A	21
TP56	22
TP57	23
TP61	24
TP99	25

2-Pin Miniature Lamp Base:

TP120	26
TP120E	27
TP120R	28

2-Pin Medium Lamp Base:

TP22	29
TP220	30

Wedge Lamp Base:

TP20 / TP20X	31
--------------------	----

High Voltage Lamp Base:

TP30	32
------------	----

Low Voltage Lamp Base:

TP40	33
TP41	34

Mounted Lampholders:

Rim Mount	35
-----------------	----

METAL HALIDE




Double Ended Lamp Base:

SFc10-4	36
---------------	----

ORDERING INFORMATION

To Request a Quote or Place an Order

Contact Customer Service:

 (717) 848-8080 ext. 248
 (717) 843-7075
 lampholders@sylvania.com

OSRAM SYLVANIA
 1128 Roosevelt Avenue
 York, PA 17404
www.sylvania.com/lampholders

When ordering please specify:

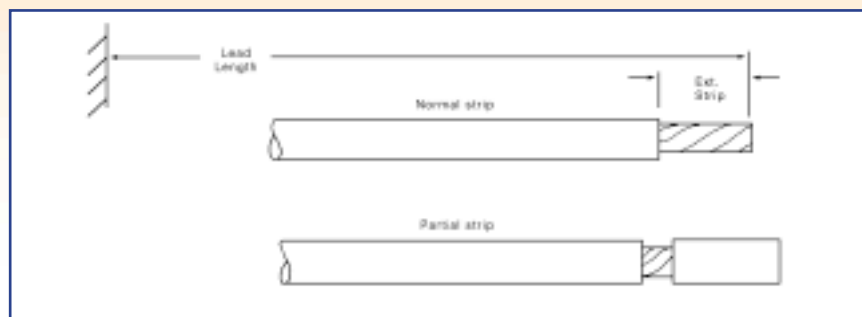
Product Number (i.e. F598220 for TP57) or
 Lampholder Type • Wire Type and Lead Length* • External Strip Length

*Custom lead lengths, wire types and terminations are available.
 Lead lengths are measured from where the wire exits the lampholder.

Wire Types:



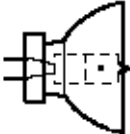
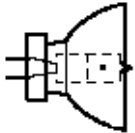
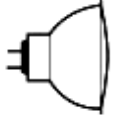
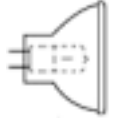




Wire Type	Insulation Description	Ratings	
		Voltage (rms)	Temp. (° C)
SFF1 (SEWF-1)	Silicone rubber, with fiberglass jacket	300	150
SF1 (SEW-1)	Silicone rubber, with fiberglass jacket	300	200
SF2 (SEW-2)	Silicone rubber, with fiberglass jacket	600	200
MGT	Mica/glass tape, with fiberglass jacket	600	450
TGGT	Teflon tape, with fiberglass jacket	600	250
UL 1180	Insulation material, PTFE, Teflon	300	200
UL 1199	Insulation material, PTFE, Teflon	600	200
UL 1332	Insulation material, FEP, Teflon	300	200
UL 1659	Insulation material, PTFE, Teflon	600	250
UL 1726	Insulation material, PFA, Teflon	300	250
UL 3252	Silicon rubber, with fiberglass jacket	600	250

External Strip:

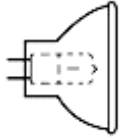


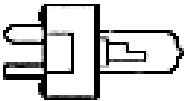
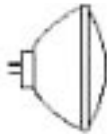

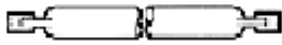
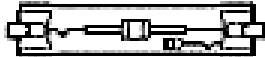

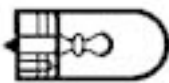


 (717) 848-8080 ext. 248
 (717) 843-7075
 lampholders@sylvania.com

LAMP BASE GUIDE

FIGURE	BASE	DESCRIPTION	LAMP HOLDERS	PAGE(S)
	E11	Mini-Can Screw	S4, S7, S25, S48	14-17
	G4	Miniature Glass 2- Pin	TP56, TP61	22, 24
	GZ4	Miniature Glass 2-Pin	TP56, TP57, TP61	22-24
	G5.3	Miniature 2-Pin (Round Pins)	TP57, TP61, TP120, TP120E, TP120R	23-24 26-28
	GU5.3	Miniature 2-Pin	TP61, TP120, TP120E, TP120R	24 26-28
	GX5.3	Miniature 2-Pin (round pins)	TP40, TP41, RIM TP57, TP61, TP120, TP120E, TP120R	23-24 26-28 33-35
	GY5.3	Miniature 2-Pin (oval/flat pins)	TP120, TP120E, TP120R, TP30, RIM	26-28 32, 35
	G6.35	Miniature Glass 2-Pin	TP56, TP57, TP61, TP99	22-25
	GX6.35	Miniature Glass 2-Pin	TP56, TP57, TP61, TP99	22-25
	GY6.35	Miniature Glass 2-Pin	TP9A, TP56, TP57, TP61, TP99	21-25

LAMP BASE GUIDE

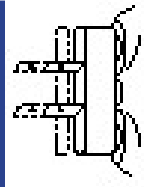
FIGURE	BASE	DESCRIPTION	LAMP HOLDERS	PAGE
	GZ6.35	Miniature Glass 2-Pin	TP56, TP57, TP61, TP99	22-25
	G9.5	Medium 2-Pin	TP22, TP220	29-30
	GY9.5	2-Pin Pre-Focus	TP7L or R, TP23	18-19
	GZ9.5	2-Pin Pre-Focus	TP6L or R, TP23, TP27	18-20
	GX16d	Mogul and Extended Mogul End Prong	PAR-1, PAR-2	4-5
	G12.7	Medium Side Prong (MSP)	PAR-3	6
	R7s	Recessed Single Contact (RSC)	S2, S26, S26A, S26AF, S26C, S26D, S26F	7-13
	RX7s	Rectangular Recessed Single Contact (RRSC)	S26, S26A, S26AF, S26C, S26D, S26F	8-13
	SFc10-4	Double Ended Metal Halide	SFc10-4	36
	T 3 1/4	Wedge Base	TP20, TP20X	31



TUNGSTEN HALOGEN LAMPHOLDERS

PAR 56 and PAR 64 Lamps

LAMP BASE
Mogul and Extended
Mogul End Prong
GX16d



Type PAR-1

Specifications

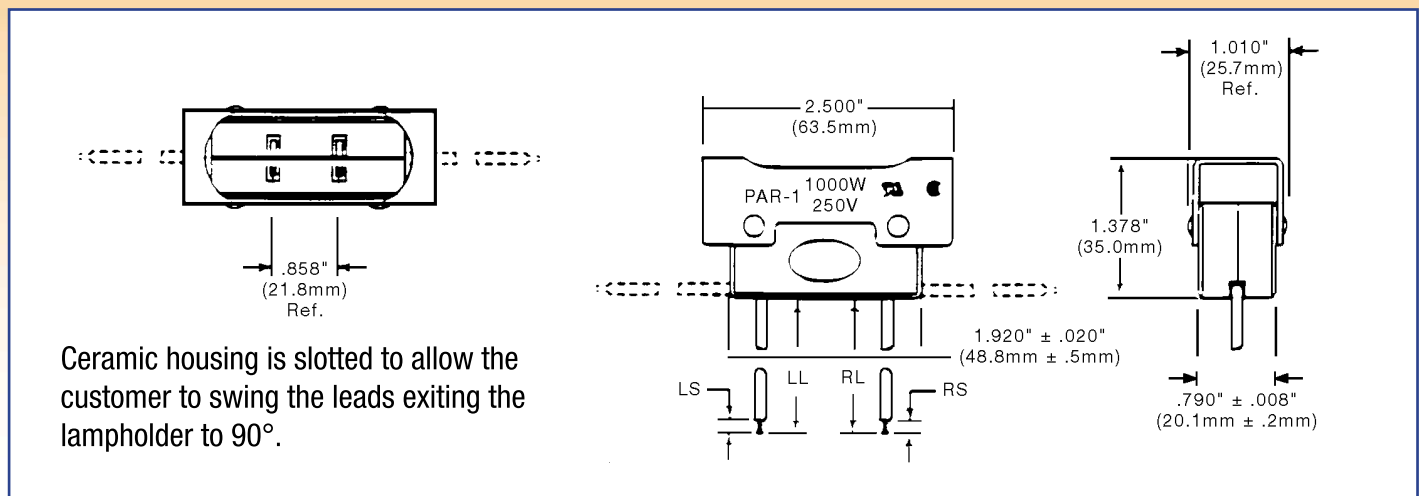
Maximum Wattage	1000 W
Maximum Voltage	250 V
Maximum Operating Temperature	300° C
Qualifications	UL Recognized - E31557 CSA Certified - LR20904
Body Material	Steatite with Aluminum Cover
Contact Material	Nickel
Wire Leads	Any UL recognized and CSA certified wire: AWG 18, 16 or 14, 300 V min, 105° C min



How To Order

Product Number	Wire Gauge/Type	Wire Length (inches)	Wire Color	Strip Length (inches)
F511700	AWG14 TGGT/TXGT	30	Natural	.25
F511914	AWG16 MGT	36	Natural	.25
F598020	AWG16 SF2	18	White	.25
F598100	AWG16 TGGT	18	Natural	.25
F511919	AWG18 SF2	36	White	.25
F511240	AWG18 SF1	37	White	.50

- Other wire types and lengths available

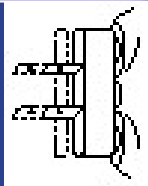


(717) 848-8080 ext. 248
(717) 843-7075
lampholders@sylvania.com

TUNGSTEN HALOGEN LAMPHOLDERS

PAR 56 and PAR 64 Lamps

LAMP BASE
Mogul and Extended
Mogul End Prong
GX16d



Type PAR-2

Specifications

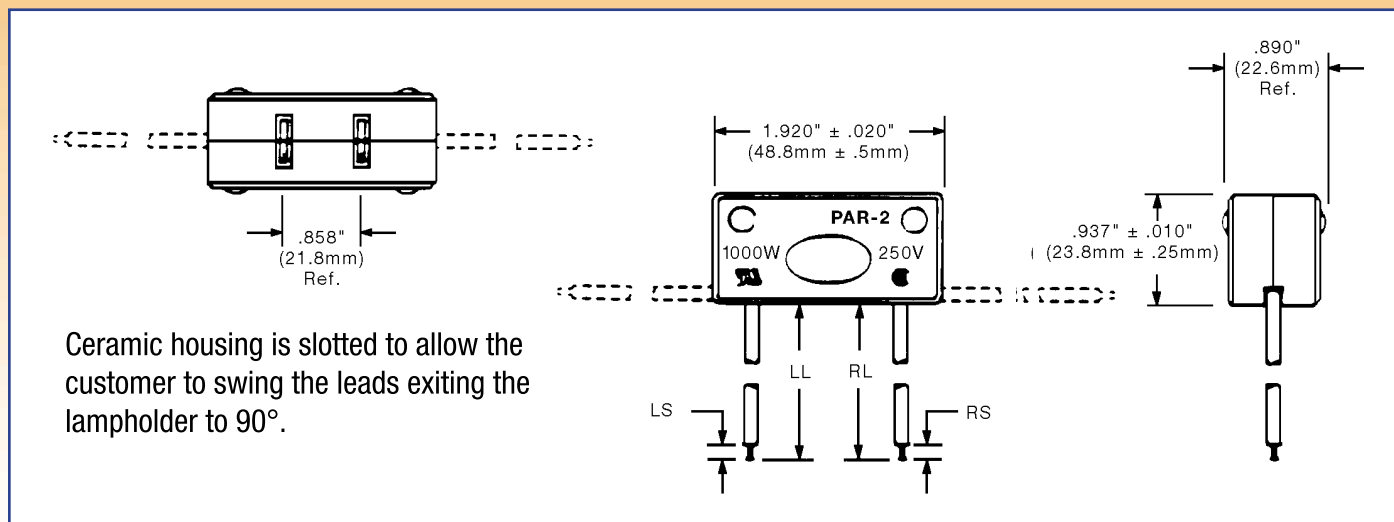
Maximum Wattage	1000 W
Maximum Voltage	250 V
Maximum Operating Temperature	300° C
Qualifications	UL Recognized - E31557 CSA Certified - LR20904
Body Material	Steatite
Contact Material	Nickel
Wire Leads	Any UL recognized and CSA certified wire: AWG 18, 16 or 14, 300 V min, 105° C min



How To Order

Product Number	Wire Gauge/Type	Wire Length (inches)	Wire Color
F511938	AWG18 SF2	36	White
F510800	AWG16 MGT	24	Natural

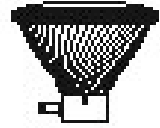
- Other wire types and lengths available



TUNGSTEN HALOGEN LAMPHOLDERS

PAR 38 and PAR 46 Lamps

LAMP BASE
Medium Side
Prong
G12.7



Type PAR-3

Specifications

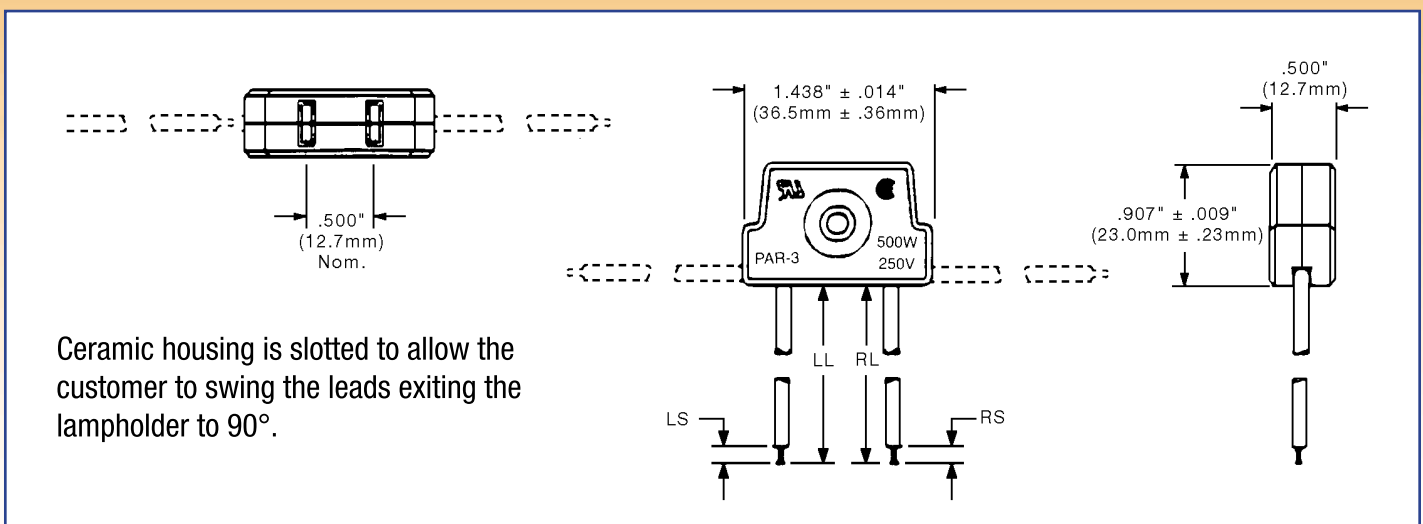
Maximum Wattage	500 W
Maximum Voltage	250 V
Maximum Operating Temperature	300° C
Qualifications	UL Recognized - E31557 CSA Certified - LR20904
Body Material	Steatite
Contact Material	Nickel
Wire Leads	Any UL recognized and CSA certified wire: AWG 18, 16 or 14, 300 V min, 105° C min



How To Order

Product Number	Wire Gauge/Type	Wire Length (inches)	Wire Color	Strip Length (inches)
F598990	AWG16 SF2	6	White	.25
F598090	AWG16 SF2	18	White	.35
F511917	AWG16 SF2	36	White	.25
F598130	AWG16 SF2	48	White	.25

• Other wire types and lengths available



(717) 848-8080 ext. 248
(717) 843-7075
lampholders@sylvania.com

TUNGSTEN HALOGEN LAMPHOLDERS

Double Ended Lamps

LAMP BASE
Recessed Single
Contact (RSC)
R7s



Type S2

Specifications

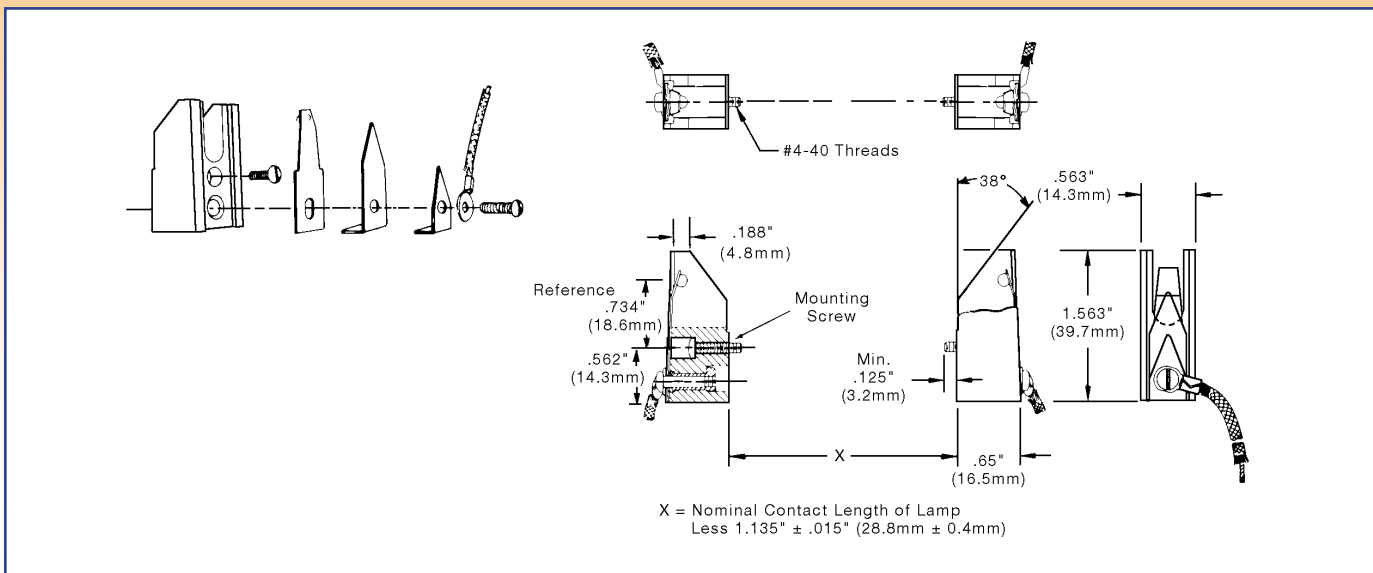
Maximum Wattage	1500 W
Maximum Voltage	600 V
Maximum Operating Temperature	350° C
Qualifications	UL Recognized - E31557 CSA Certified - LR20904
Body Material	Steatite
Contact Material	Silver ball contact on corrosion resistant, high temperature spring material.
Wire Leads	Any UL recognized and CSA certified wire: AWG 16 or 14, 600 V min, 200° C min



How To Order

Product Number	Wire Gauge/Type	Wire Length (inches)	Wire Color	Strip Length (inches)
F585230	No Lead	n/a	n/a	n/a
F511915	AWG14 SF2	48	White	.20
F585110	AWG16 SF2	12	White	.25
F599380	AWG16 SF2	23	Black	.25
F599370	AWG16 SF2	23	White	.25

- Other wire types and lengths available
Note: Due to mounting screw location, this lampholder is shipped unassembled.



(717) 848-8080 ext. 248
(717) 843-7075
lampholders@sylvania.com



TUNGSTEN HALOGEN LAMPHOLDERS

Double Ended Lamps

LAMP BASE
Recessed Single
Contact (RSC)
R7s and RX7s



Type S26

Specifications

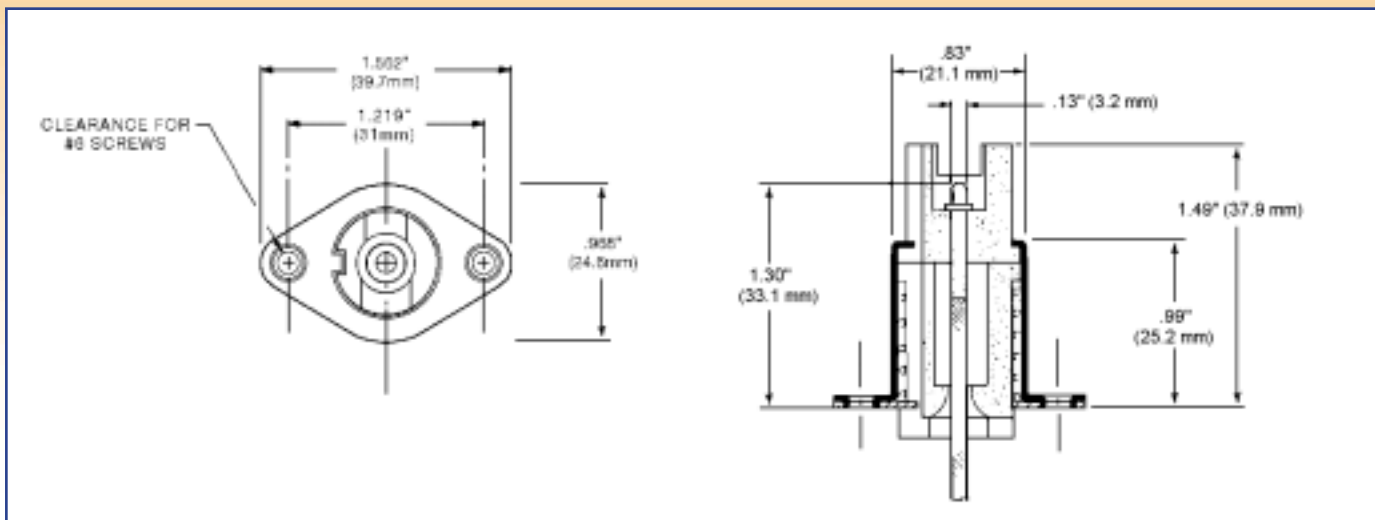
Maximum Wattage	3000 W
Maximum Voltage	600 V
Maximum Operating Temperature	350° C
Qualifications	UL Recognized - E31557 CSA Certified - LR20904
Body Material	Steatite / Aluminum / Plated Steel
Contact Material	Silver Plated Copper
Wire Leads	Any UL recognized and CSA certified wire: AWG 16 or 14, 600 V min, 200° C min



How To Order

Product Number	Wire Gauge/Type	Wire Length (inches)	Wire Color	Strip Length (inches)
F596230	AWG14 UL1659	12	White	0
F599080	AWG14 SF2	12	White	.35
F511200	AWG14 SF2	14	Black	.35
F511840	AWG16 MGT	19	Natural	.35 partial
F586800	AWG16 SF2	12	Black	.20
F510720	AWG16 SF2	18	Black	.35
F599580	AWG16 SF2	36	White	.25

• Other wire types and lengths available



(717) 848-8080 ext. 248
(717) 843-7075
lampholders@sylvania.com

TUNGSTEN HALOGEN LAMPHOLDERS

Double Ended Lamps

LAMP BASE
Recessed Single
Contact (RSC)
R7s and RX7s



Type S26A

Specifications

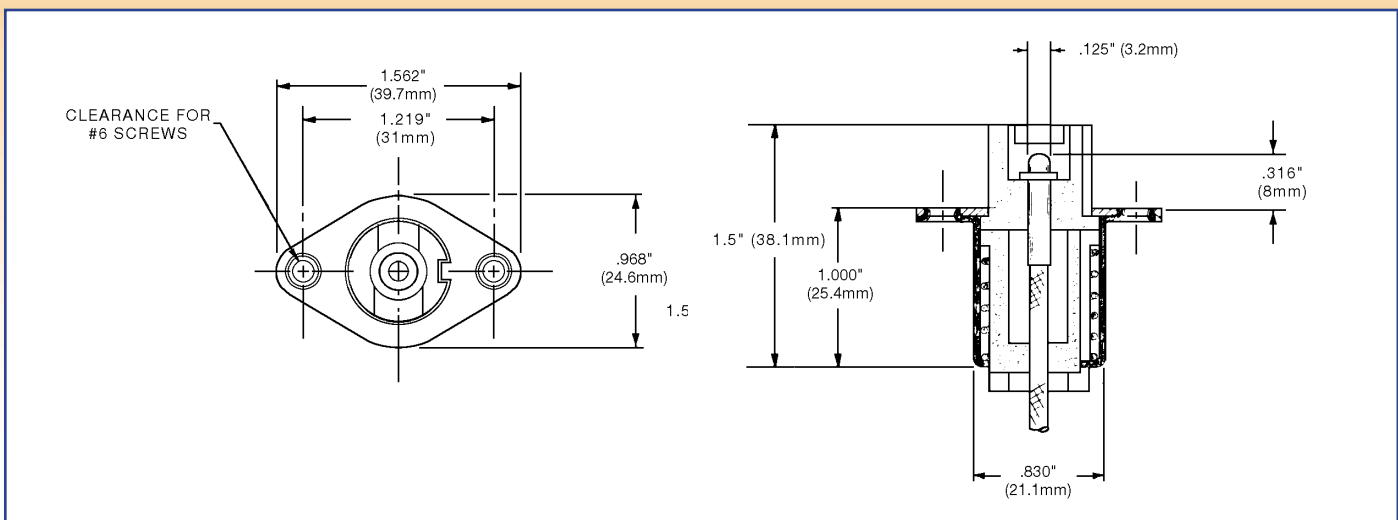
Maximum Wattage	3000 W
Maximum Voltage	600 V
Maximum Operating Temperature	350° C
Qualifications	UL Recognized - E31557 CSA Certified - LR20904
Body Material	Steatite / Aluminum / Plated Steel
Contact Material	Silver Plated Copper
Wire Leads	Any UL recognized and CSA certified wire: AWG 16 or 14, 600 V min, 200° C min



How To Order

Product Number	Wire Gauge/Type	Wire Length (inches)	Wire Color	Strip Length (inches)
F596250	AWG14 UL1659	12	White	0
F596260	AWG14 UL1659	42	White	0
F511730	AWG14 SF2	18	Black	0
F595750	AWG14 SF2	30	Black	.25
F592500	AWG16 SF2	18	Black	0
F511570	AWG16 SF2	84	Black	0
F511550	AWG16 TGGT	6	Natural	.25

• Other wire types and lengths available



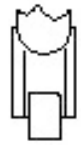
(717) 848-8080 ext. 248
 (717) 843-7075
 lampholders@sylvania.com



TUNGSTEN HALOGEN LAMPHOLDERS

Double Ended Lamps

LAMP BASE
Recessed Single
Contact (RSC)
R7s and RX7s



Type S26AF

Specifications

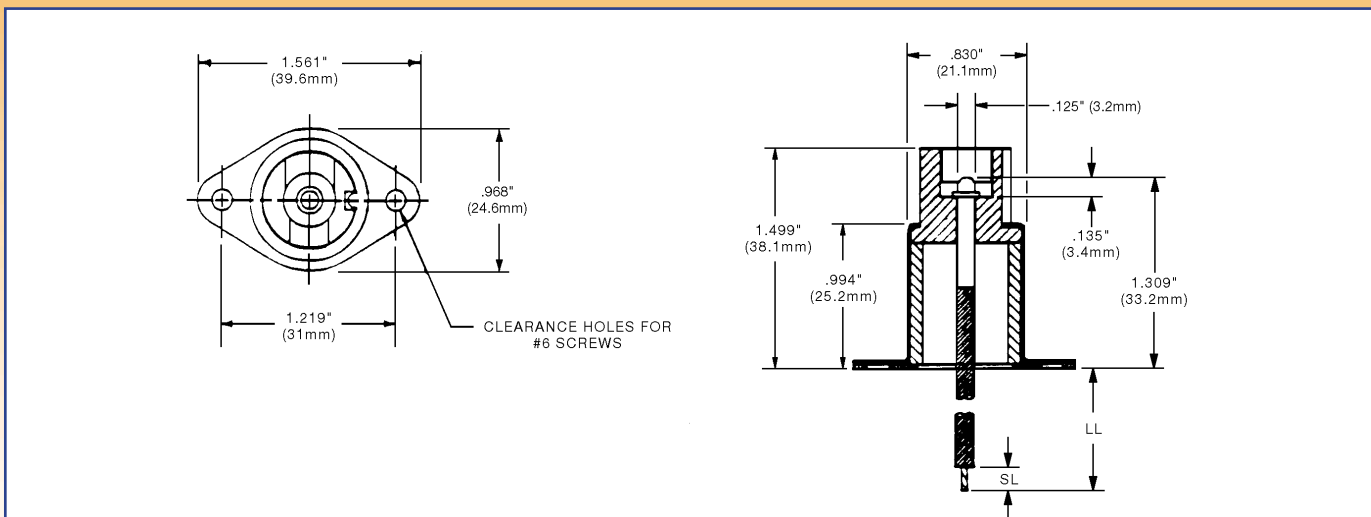
Maximum Wattage	3000 W
Maximum Voltage	600 V
Maximum Operating Temperature	350° C
Qualifications	UL Recognized - E31557 CSA Certified - LR20904
Body Material	Steatite / Aluminum / Plated Steel
Contact Material	Silver Plated Copper
Wire Leads	Any UL recognized and CSA certified wire: AWG 16 or 14, 600 V min, 200° C min



How To Order

Product Number	Wire Gauge/Type	Wire Length (inches)	Wire Color	Strip Length (inches)
F597890	AWG14 UL1659	42	Black	0

- Other wire types and lengths available



(717) 848-8080 ext. 248
(717) 843-7075
lampholders@sylvania.com

TUNGSTEN HALOGEN LAMPHOLDERS

Double Ended Lamps

LAMP BASE
 Recessed Single Contact (RSC)
 and Rectangular Recessed
 Single Contact (RRSC)
R7s and RX7s



Type S26C

Specifications

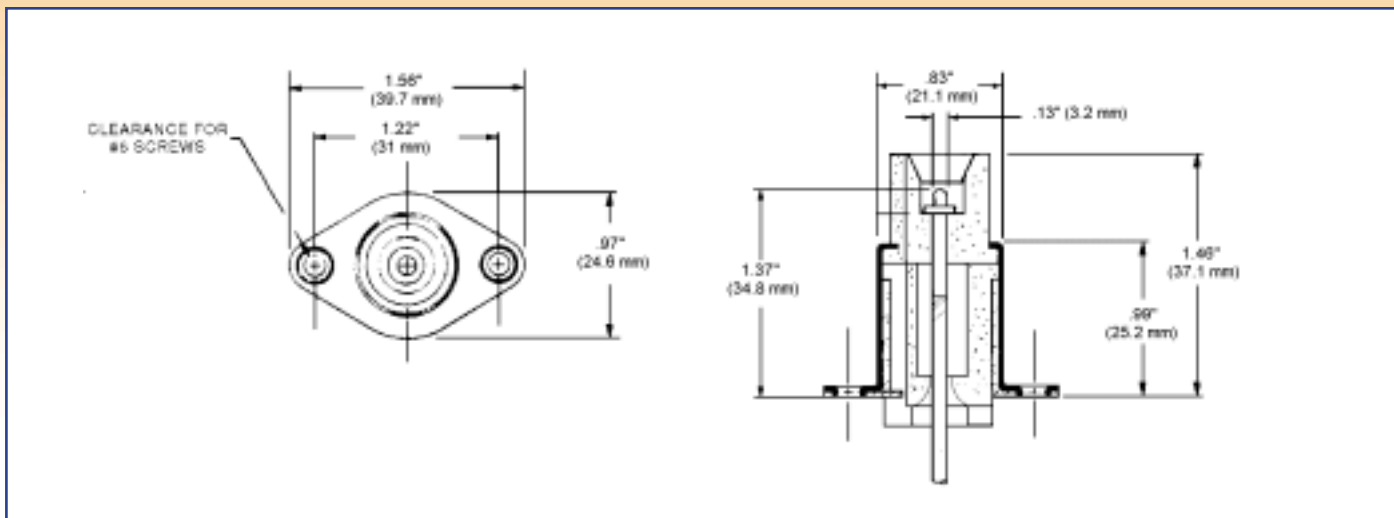
Maximum Wattage	3000 W
Maximum Voltage	600 V
Maximum Operating Temperature	350° C
Qualifications	UL Recognized - E31557 CSA Certified - LR20904
Body Material	Steatite / Aluminum / Plated Steel
Contact Material	Silver Plated Copper
Wire Leads	Any UL recognized and CSA certified wire: AWG 16 or 14, 600 V min, 200° C min



How To Order

Product Number	Wire Gauge/Type	Wire Length (inches)	Wire Color	Strip Length (inches)
F511740	AWG14 MGT	12	Blue	.50
F511750	AWG14 MGT	12	Natural	.50
F511760	AWG14 MGT	42	Natural	.50 (partial)
F598380	AWG16 SF2	12	White	.50
F597770	AWG16 UL1199	12	White	.30
F511830	AWG16 UL 1199	24	White	.38

• Other wire types and lengths available



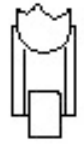
(717) 848-8080 ext. 248
 (717) 843-7075
 lampholders@sylvania.com



TUNGSTEN HALOGEN LAMPHOLDERS

Double Ended Lamps

LAMP BASE
 Recessed Single Contact (RSC)
 and Rectangular Recessed
 Single Contact (RRSC)
R7s and RX7s



Type S26D

Specifications

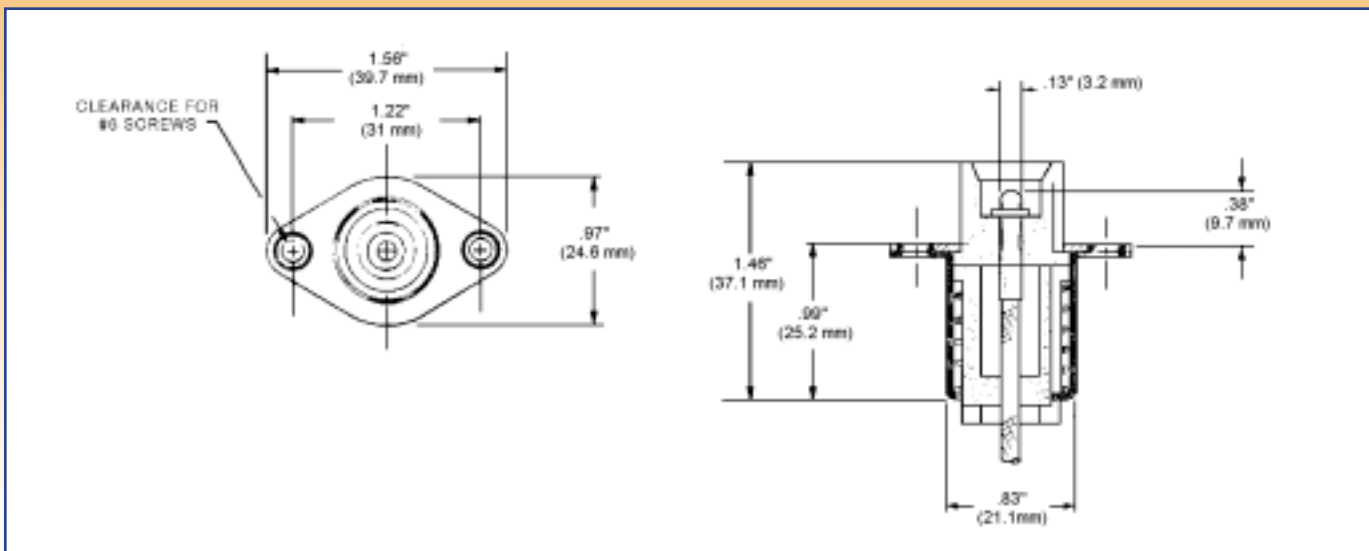
Maximum Wattage	3000 W
Maximum Voltage	600 V
Maximum Operating Temperature	350° C
Qualifications	UL Recognized - E31557 CSA Certified - LR20904
Body Material	Steatite / Aluminum / Plated Steel
Contact Material	Silver Plated Copper
Wire Leads	Any UL recognized and CSA certified wire: AWG 16 or 14, 600 V min, 200° C min



How To Order

Product Number	Wire Gauge/Type	Wire Length (inches)	Wire Color	Strip Length (inches)
F510380	AWG14 MGT	6	Natural	.38
F596840	AWG14 SF2	48	Black	.25

- Other wire types and lengths available



(717) 848-8080 ext. 248
 (717) 843-7075
 lampholders@sylvania.com

TUNGSTEN HALOGEN LAMPHOLDERS

Double Ended Lamps

LAMP BASE
Recessed Single
Contact (RSC)
R7s and RX7s



Type S26F

Specifications

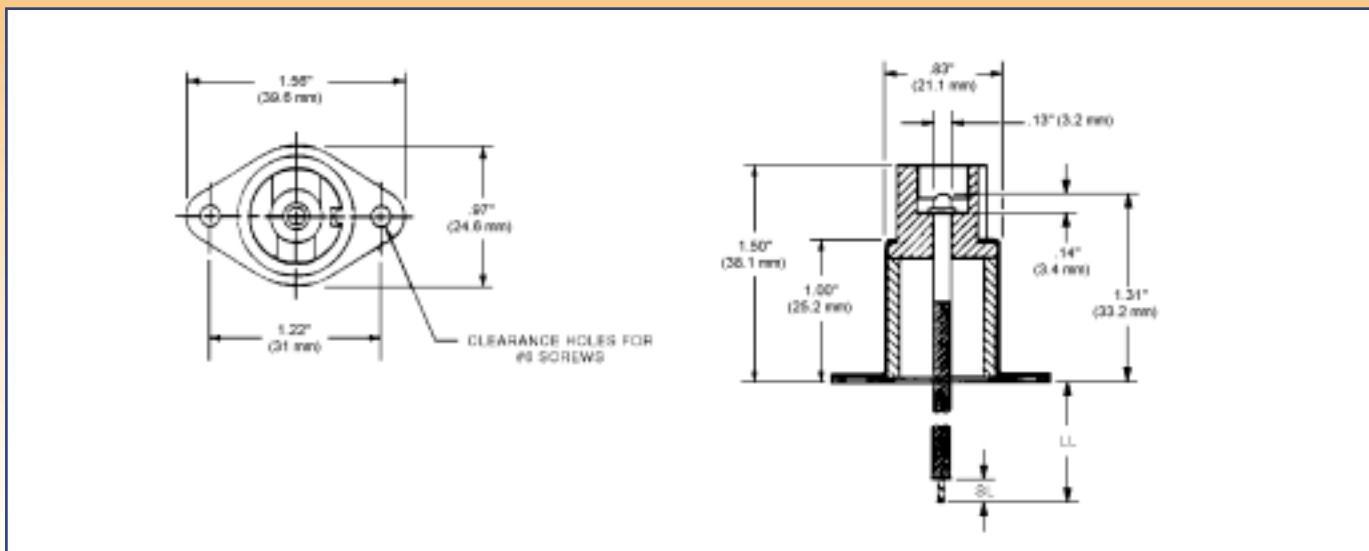
Maximum Wattage	3000 W
Maximum Voltage	600 V
Maximum Operating Temperature	350° C
Qualifications	UL Recognized - E31557 CSA Certified - LR20904
Body Material	Steatite / Aluminum / Plated Steel
Contact Material	Silver Plated Copper
Wire Leads	Any UL recognized and CSA certified wire: AWG 16 or 14, 600 V min, 200° C min



How To Order

Product Number	Wire Gauge/Type	Wire Length (inches)	Wire Color	Strip Length (inches)
F598160	AWG16 SF2	12	Black	.50 (partial strip)
F511170	AWG18 UL1659	18	Black	.50

- Other wire types and lengths available



TUNGSTEN HALOGEN LAMPHOLDERS

Mini-Can Screw Base

LAMP BASE
Mini-Can Screw
E11



Type S4

Specifications

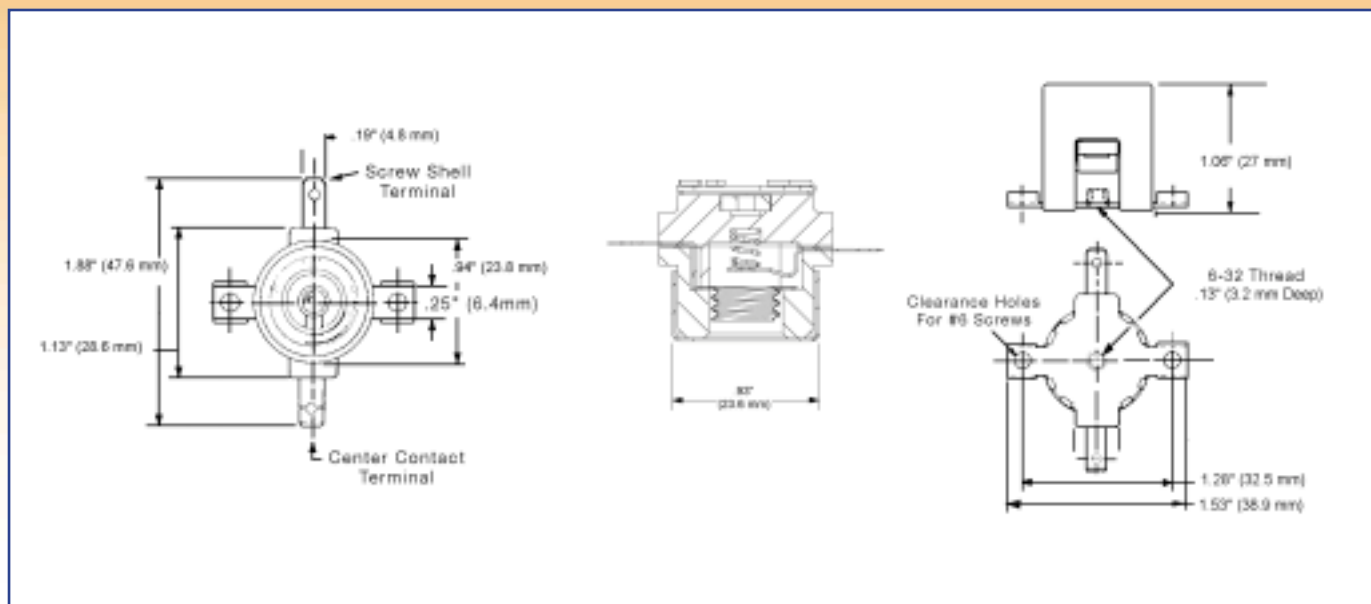
Maximum Wattage	1000 W
Maximum Voltage	250 V
Maximum Operating Temperature	300° C
Qualifications	UL Recognized - E31557 CSA Certified - LR20904 (without leads only)
Body Material	Steatite / Nickel Plated Steel
Contact Material	Screw Shell and Center Contact Plated Copper Alloy
Wire Leads	Any UL recognized and CSA certified wire: AWG18 min, 300 V min, 200° C min



How To Order

Product Number	Wire Gauge/Type	Wire Length (inches)	Wire Color	Strip Length (inches)
F585210	AWG16 UL1199	12	1 Black / 1 White	.25
F595950	AWG18 SF2	6	1 Black / 1 White	.38
F595640	AWG18 SF2	15	1 Black / 1 White	.25
F599930	AWG18 SF2	18	1 Black / 1 White	.25
F510230	AWG18 SF2	36	1 Black / 1 White	.25

- Other wire types and lengths available upon request. Also available without leads.



(717) 848-8080 ext. 248
(717) 843-7075
lampholders@sylvania.com

TUNGSTEN HALOGEN LAMPHOLDERS

Mini-Can Screw Base

LAMP BASE
Mini-Can Screw
E11



Type S7

Specifications

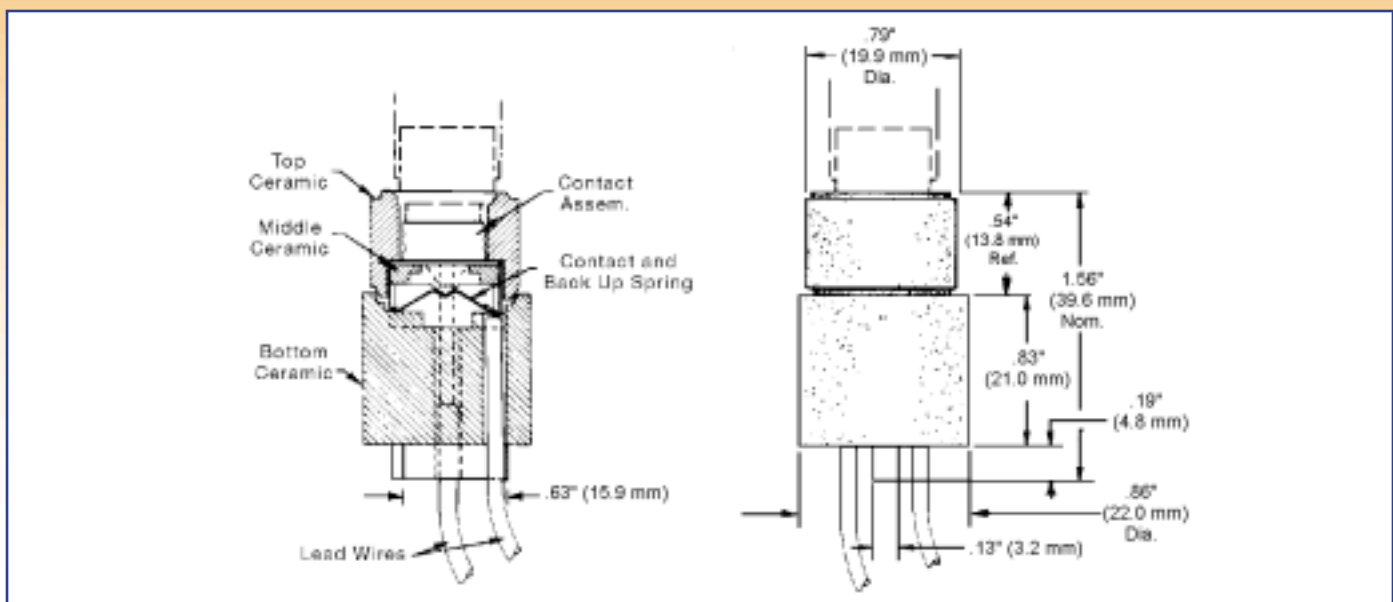
Maximum Wattage	1000 W
Maximum Voltage	250 V
Maximum Operating Temperature	300° C
Qualifications	UL Recognized - E31557 CSA Certified - LR20904
Body Material	Steatite
Contact Material	Screw Shell - Plated Copper Alloy Center Contact - Plated Nickel Alloy
Wire Leads	Any UL recognized and CSA certified wire: AWG 18 or 16, 600 V min, 200° C min



How To Order

Product Number	Wire Gauge/Type	Wire Length (inches)	Wire Color	Strip Length (inches)
F510710	AWG16 SF2	36	1 Black / 1 White	.38
F585150	AWG18 SF2	12	1 Black / 1 White	.63
F586330	AWG18 SF2	34	1 Black / 1 White	.38
F597020	AWG18 SF2	48	1 Black / 1 White	.38
F511913	AWG18 UL1659	34	1 Black / 1 White	.38 (partial)

• Other wire types and lengths available



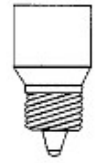
(717) 848-8080 ext. 248
 (717) 843-7075
 lampholders@sylvania.com



TUNGSTEN HALOGEN LAMPHOLDERS

Mini-Can Screw Base

LAMP BASE
Mini-Can Screw
E11



Type S25

Specifications

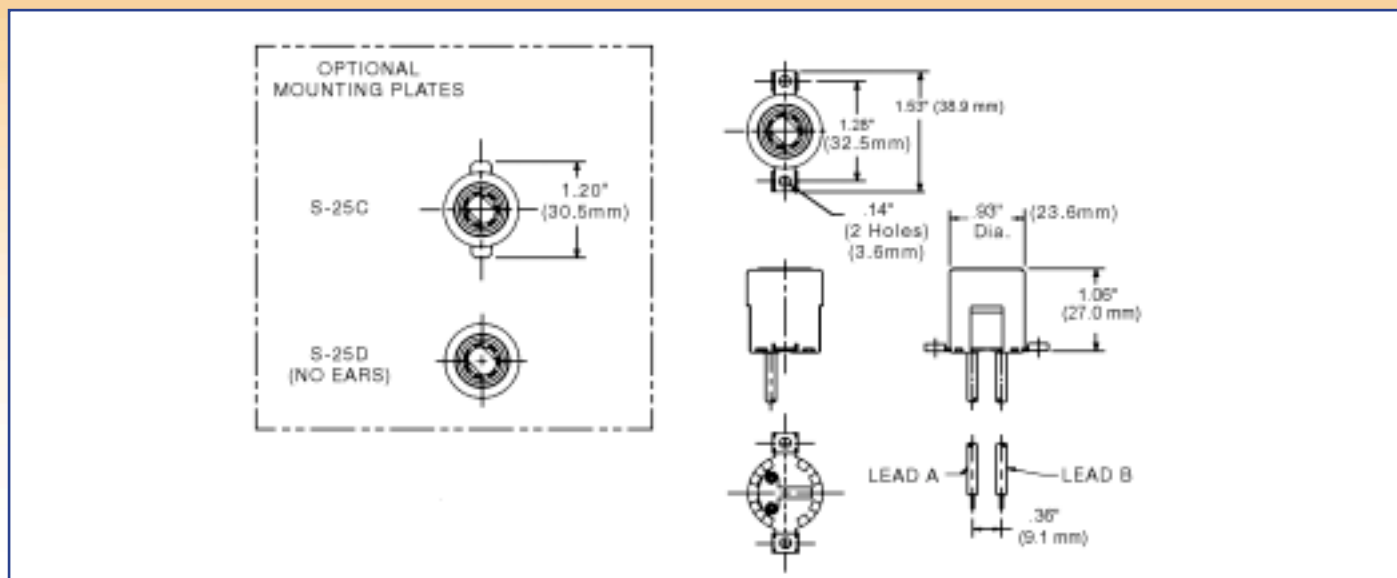
Maximum Wattage	1000 W
Maximum Voltage	250 V
Maximum Operating Temperature	300° C
Qualifications	UL Recognized - E31557 CSA Certified - LR20904
Body Material	Steatite / Nickel Plated Steel For optional mounting plates see below
Contact Material	Screw Shell - Plated Copper Alloy Center Contact - Plated Nickel Alloy
Wire Leads	Any UL recognized and CSA certified wire: AWG 18 or 16, 600 V min, 200° C min



How To Order

Product Number	Wire Gauge/Type	Wire Length (inches)	Wire Color	Strip Length (inches)
F596220	AWG16 SF2	18	1 Black / 1 White	.25
F596610	AWG18 SF2	18	1 Black / 1 White	.50
F511370	AWG18 MGT/MGR	24	Natural	.25
F510980	AWG18 UL1659	11	1 Black / 1 White	.15
F597070 - S25C	AWG18 UL1199	12	1 Black / 1 White	.35
F596640 - S25D	AWG18 SF2	32	1 Black / 1 White	.25

• Other wire types and lengths available



(717) 848-8080 ext. 248
(717) 843-7075
lampholders@sylvania.com

TUNGSTEN HALOGEN LAMPHOLDERS

Mini-Can Screw Base

LAMP BASE
Mini-Can Screw
E11



Type S48

Specifications

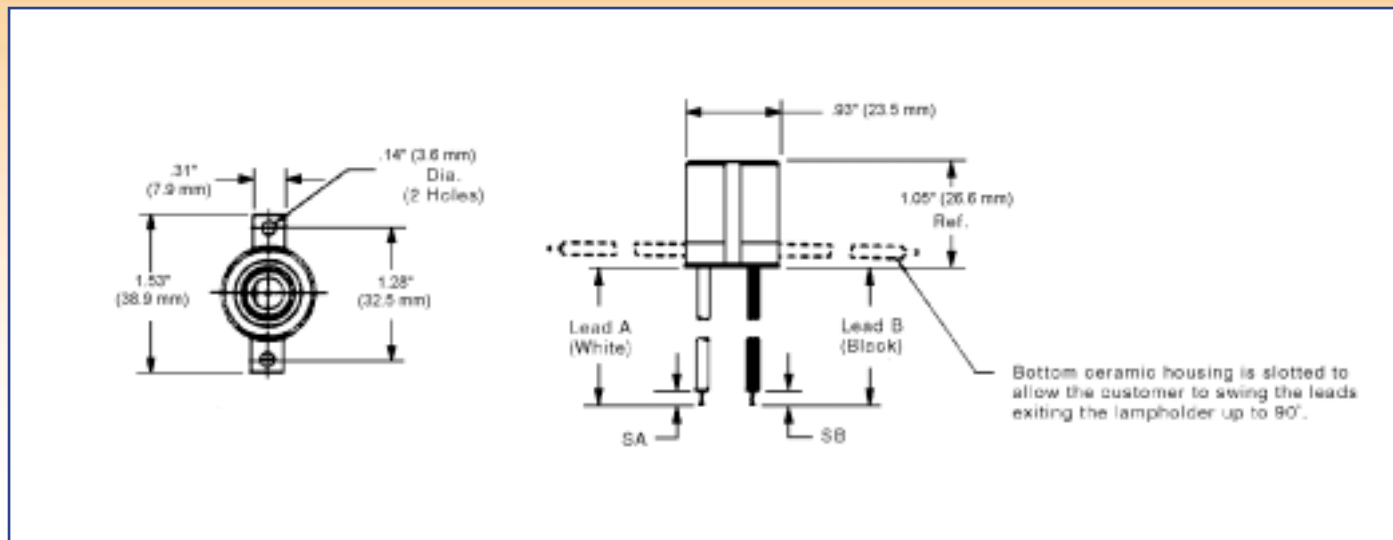
Maximum Wattage	1000 W
Maximum Voltage	300 V
Maximum Operating Temperature	300° C
Qualifications	UL Recognized - E31557 CSA Certified - LR20904
Body Material	Steatite / Nickel Plated Steel
Contact Material	Screw Shell - Plated Copper Alloy Center Contact - Plated Copper Alloy
Wire Leads	Any UL recognized and CSA certified wire: AWG 18 or 16, 300 V min, 105° C min



How To Order

Product Number	Wire Gauge/Type	Wire Length (inches)	Wire Color	Strip Length (inches)
F597850	AWG18 SF2	12	1 Black / 1 White	.63
F511900	AWG18 SF2	36	1 Black / 1 White	.25
F598040	AWG18 SF2	48	1 Black / 1 White	.25
F510850	AWG18 SFF1	3	1 Black / 1 White	.25
F511090	AWG18 UL1199	30	1 Black / 1 White	.25
F598240	AWG18 UL1659	14	1 Black / 1 White	.50

- Other wire types and lengths available



TUNGSTEN HALOGEN LAMPHOLDERS

2-Pin Polarized Lamps

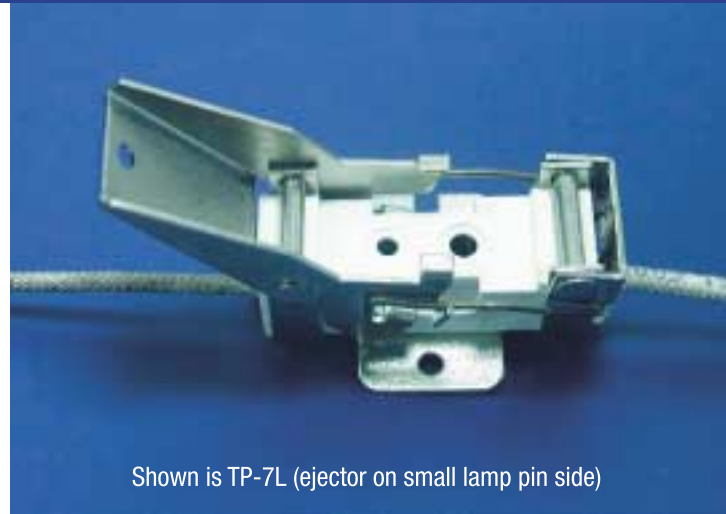
LAMP BASE
 2-Pin Medium Pre Focus
 (.093" dia. x .125" dia.)
GY9.5, GZ9.5



Type TP6L or R and TP7L or R

Specifications

Maximum Wattage	750 W - TP 6L or R (GZ9.5) 1200 W - TP7L or R (GY9.5)
Maximum Voltage	250 V
Maximum Operating Temperature	200° C
Qualifications	UL Recognized - E31557 CSA Certified - LR20904
Body Material	Steatite / Nickel Plated Steel
Contact Material	Nickel Alloy
Wire Leads	Any UL recognized and CSA certified wire: AWG 20, 18 or 16, 300 V min, 105° C min

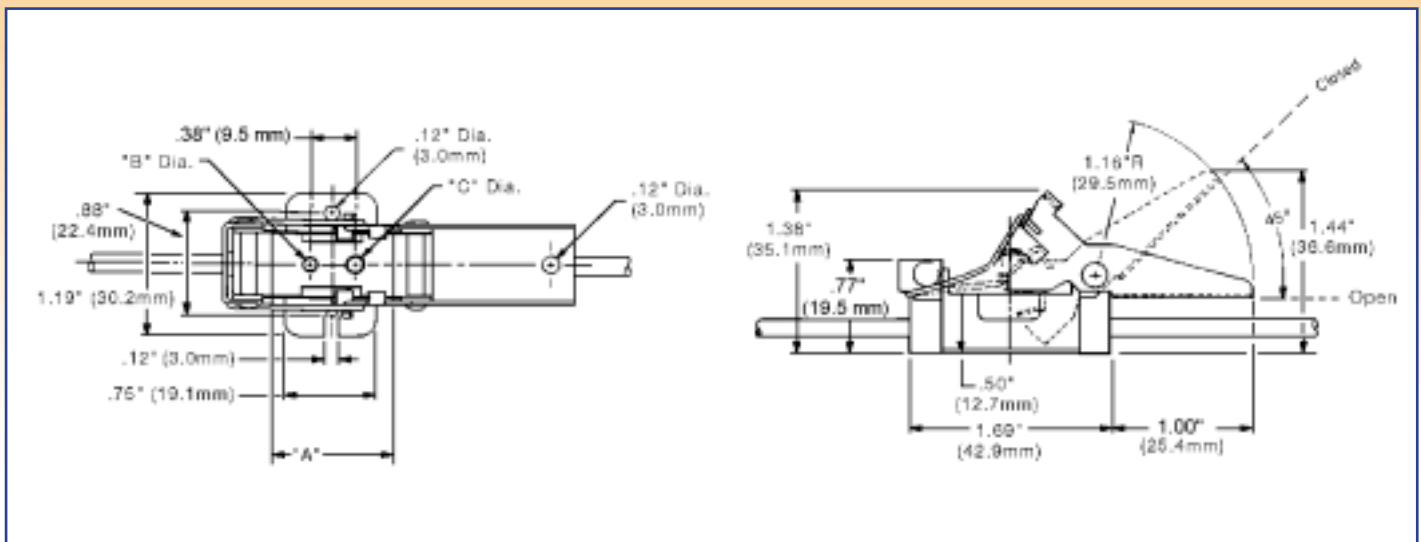


Shown is TP-7L (ejector on small lamp pin side)

How To Order

Type	Product Number	Wire Gauge/Type	Length (inches)	Color	Strip Length (inches)
TP-6L (AMP 41412)	F543970	AWG16 SF2	9	White	.20
TP-6R (AMP 41412)	F544030	AWG16 SF2	9	White	.20
TP-6R (AMP 480054-3)	F596340	AWG16 SF2	4	White	.20
TP-7L (AMP 41412)	F544040	AWG16 SF2	9	White	.20
TP-7R	F544000	AWG16 SF2	7	White	.25

• Other wire types and lengths are available. Specified part numbers have AMP terminations.



(717) 848-8080 ext. 248
 (717) 843-7075
 lampholders@sylvania.com

TUNGSTEN HALOGEN LAMPHOLDERS

2-Pin Polarized Lamps

LAMP BASE
 2-Pin Polarized
 (.093" pin dia. x .125" dia.
 x .375" ctr. to ctr.)
GY9.5, GZ9.5



Type TP23 H or L

Specifications

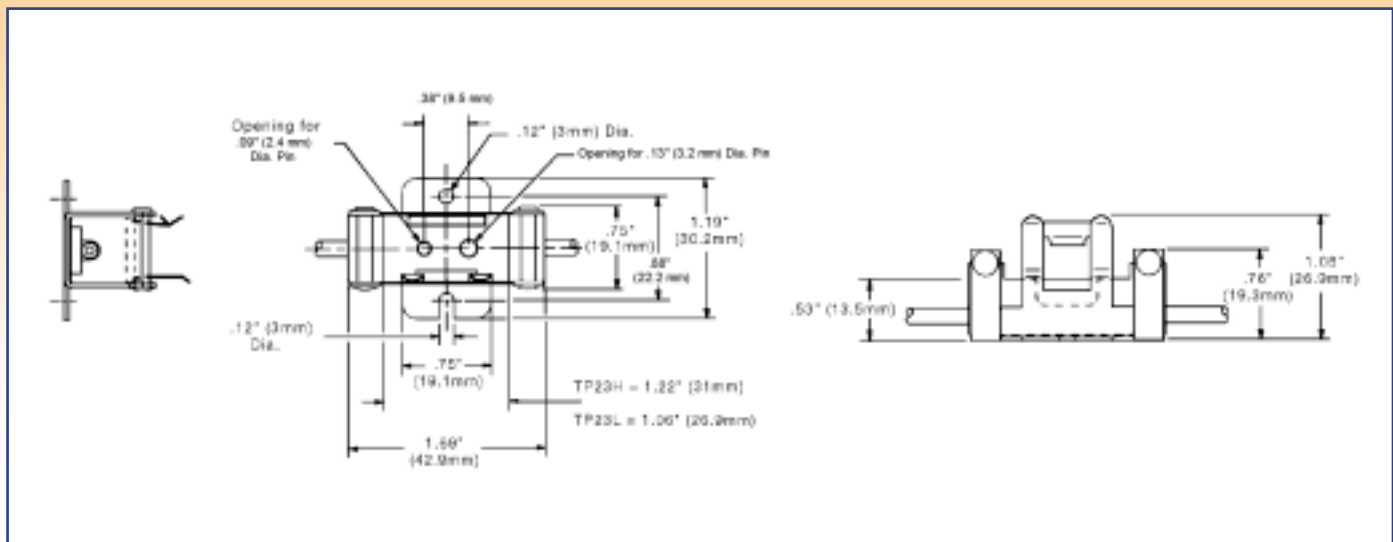
Maximum Wattage	TP23L: 750 W TP23H: 1200 W
Maximum Voltage	250 V
Maximum Operating Temperature	200° C
Qualifications	UL Recognized - E31557 CSA Certified - LR20904
Body Material	Steatite / Plated Steel
Contact Material	Nickel Alloy
Wire Leads	Any UL recognized and CSA certified wire: AWG 20, 18, or 16, 300 V min, 105° C min



How To Order

Type	Product Number	Wire Gauge/Type	Wire Length (inches)	Wire Color	Strip Length (inches)
TP-23L	F598590	AWG16 SF2	6	White	.25
TP-23H	F598180	AWG14 UL1659	9	White	.25
TP-23H	F510070	AWG16 MGT	10	Natural	.38
TP-23H	F599760	AWG16 MGT	48	Natural	.25
TP-23H	F598580	AWG16 SF2	6	White	.25
TP-23H	F597290	AWG16 SF2	9	White	.25

• Other wire types and lengths available



(717) 848-8080 ext. 248
 (717) 843-7075
 lampholders@sylvania.com



TUNGSTEN HALOGEN LAMPHOLDERS

2-Pin Polarized Lamps

LAMP BASE

2-Pin Polarized
 (.093" pin dia. x .125" dia.
 x .375" ctr. to ctr.)
GZ9.5



Type TP27

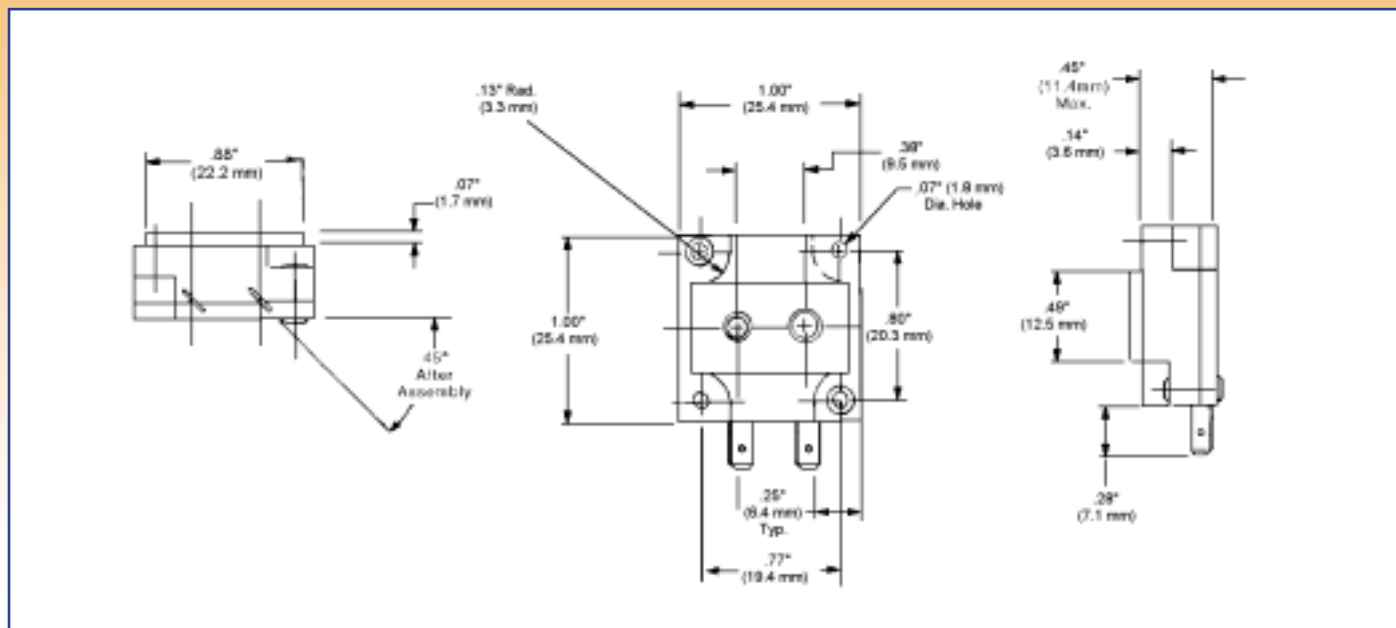
Specifications

Maximum Wattage	1000 W
Maximum Voltage	600 V
Maximum Operating Temperature	250° C
Qualifications	UL Recognized - E31557 CSA Certified - LR20904
Body Material	Steatite
Contact Material	Silver Plated Brass
Attachments	For .187" wide x .020" thick push lock terminal



How To Order

Product Number	Insulator Thickness	Insulator Material
F595370	.063"	Mica
F585280	.093"	Plastic



TUNGSTEN HALOGEN LAMPHOLDERS

2-Pin Glass Base Lamps

LAMP BASE
 2-Pin All Glass
 (.05" dia. x .25"
 ctr. to ctr.)
GY6.35



Type TP9A

Specifications

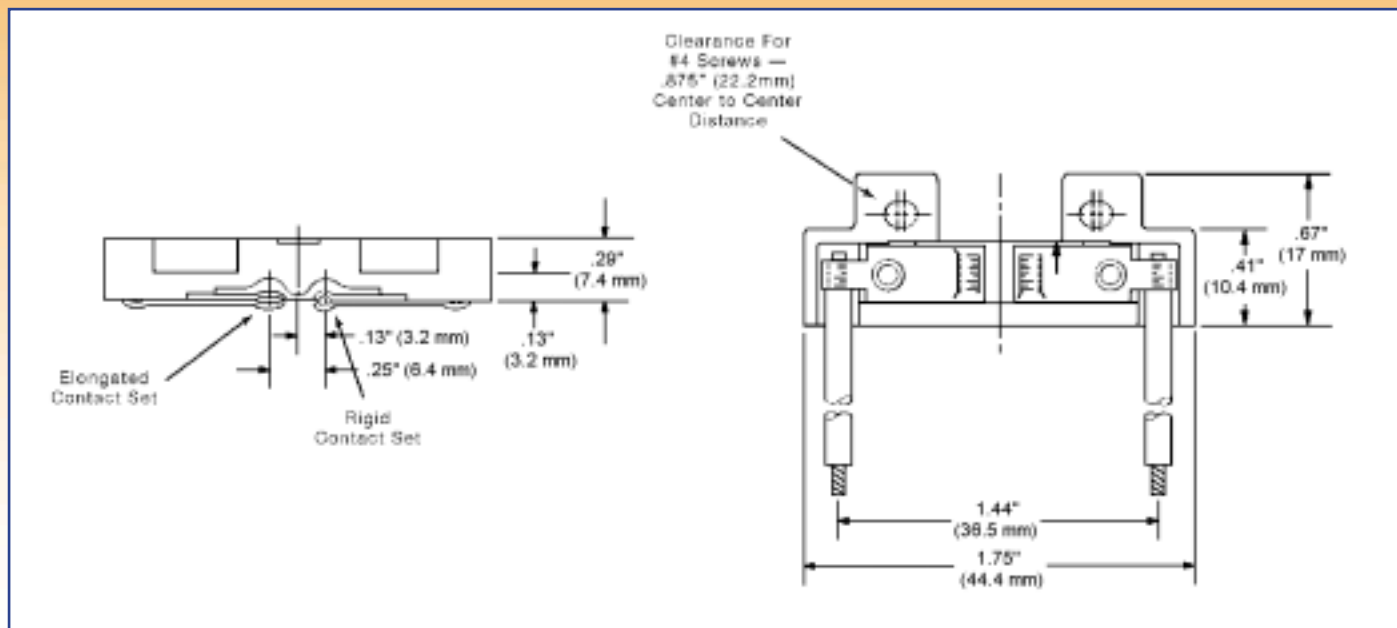
Maximum Wattage	250 W
Maximum Voltage	50 V
Maximum Operating Temperature	200° C
Qualifications	UL Recognized - E31557 CSA Certified - LR20904
Body Material	Steatite
Contact Material	Silver Plated Copper Alloy
Wire Leads	Any UL recognized and CSA certified wire: AWG18 or 16, 600 V min, 200° C min



How To Order

Product Number	Wire Gauge/Type	Wire Length (inches)	Wire Color	Strip Length (inches)
F597650	AWG18 UL1659	40	1 Black / 1 White	.31
F595730	AWG18 SF2	8	1 Black / 1 White	.12

• Other wire types and lengths available



TUNGSTEN HALOGEN LAMPHOLDERS

2-Pin Glass Base Lamps

LAMP BASE

2-Pin Round Glass/MR11
 (.028" dia. and .039" dia.)
 G4, GU4, GX4, GZ4, G6.35,
 GX6.35, GY6.35, GZ6.35



Type TP56

Specifications

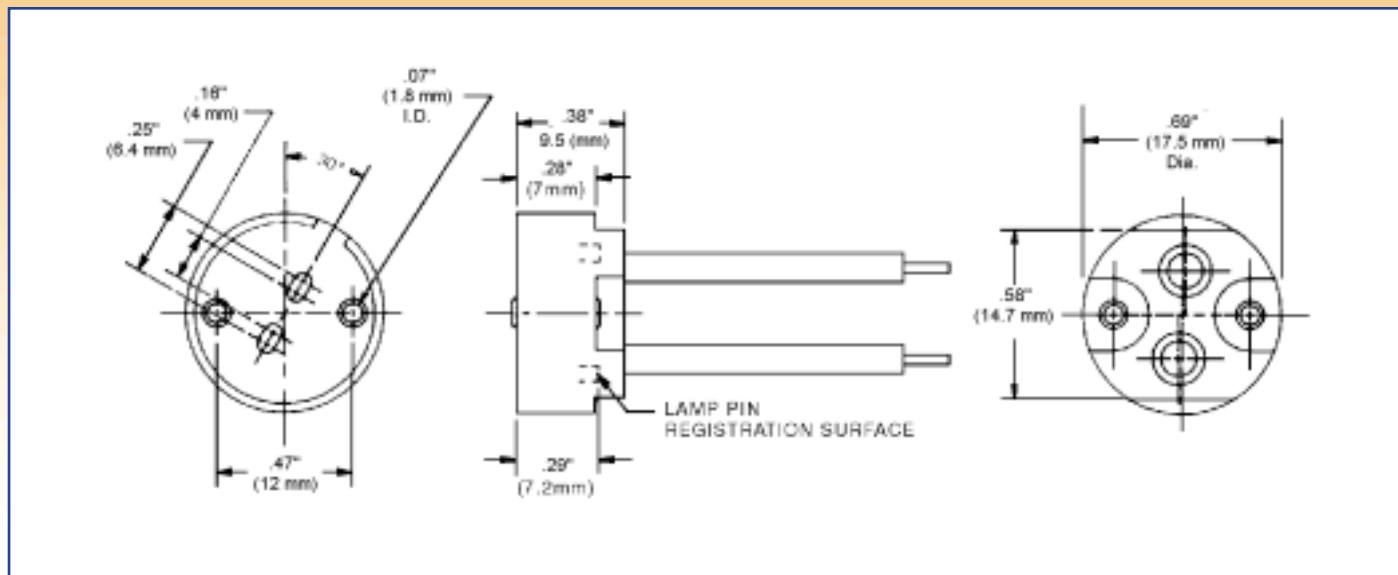
Maximum Wattage	500 W
Maximum Voltage	250 V
Maximum Operating Temperature	250° C
Qualifications	UL Recognized - E31557 CSA Certified - LR20904
Body Material	Steatite / Mica
Contact Material	Nickel (with high temperature back-up spring)
Wire Leads	Any UL recognized and CSA certified wire: AWG18 min, 300 V min, 200° C min



How To Order

Product Number	Wire Gauge/Type	Wire Length (inches)	Wire Color	Strip Length (inches)
F599030	AWG18 UL1726	12	White	.25
F599700	AWG18 SF1	2	White	.25
F596180	AWG18 SF1	6	White	.25
F598360	AWG18 SF1	12	White	.25
F510700	AWG18 SF1	72	White	.25

• Other wire types and lengths available



(717) 848-8080 ext. 248
 (717) 843-7075
 lampholders@sylvania.com

TUNGSTEN HALOGEN LAMPHOLDERS

2-Pin Glass Base Lamps

LAMP BASE

2-Pin Round Glass/MR11/MR16
 (.028", .039" and .061" dia. pins)
 GU4, GX4, GZ4, G5.3, GX5.3,
 G6.35, GX6.35, GY6.35, GZ6.35



Type TP57

Specifications

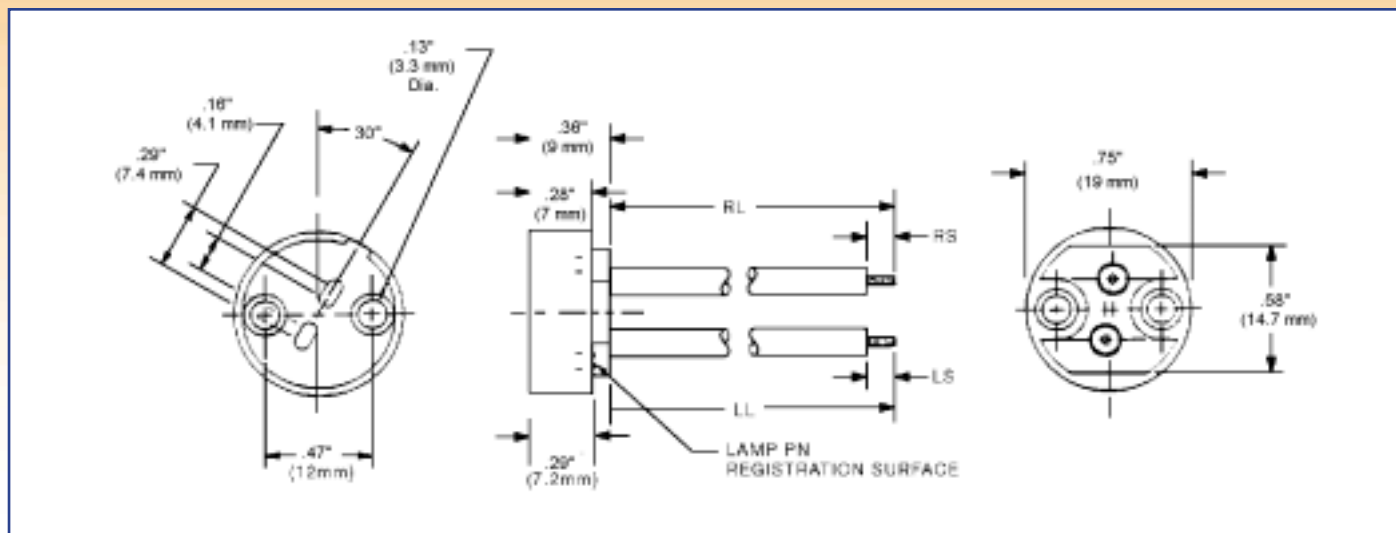
Maximum Wattage	750 W
Maximum Voltage	250 V
Maximum Operating Temperature	250° C
Qualifications	UL Recognized - E31557 CSA Certified - LR20904
Body Material	Steatite / Mica
Contact Material	Nickel (with high temperature back-up spring)
Wire Leads	Any UL recognized and CSA certified wire: AWG 18, 16 or 14, 300 V min, 200° C min



How To Order

Product Number	Wire Gauge/Type	Wire Length (inches)	Wire Color	Strip Length (inches)
F598920 - black ceramic	AWG18 UL1726	8.6	Black	0.15
F599260 - white ceramic	AWG18 UL1726	8.6	Black	0.15
F598910 - white ceramic	AWG18 UL1726	8.6	White	0.15
F511490 - white ceramic	AWG18 UL1726	14	Black	0.12
F511918 - white ceramic	AWG18 UL1726	14	White	0.12
F598220 - white ceramic	AWG18 SF1	7	White	0.25

- Other wire types and lengths available
- Maximum 50-watt lamp in a 12-volt fixture



(717) 848-8080 ext. 248
 (717) 843-7075
 lampholders@sylvania.com



TUNGSTEN HALOGEN LAMPHOLDERS

2-Pin Glass Base Lamps

LAMP BASE

2-Pin Round Glass/MR11/MR16
G4, GU4, GX4, GZ4, G5.3, GU5.3,
GX5.3, G6.35, GX6.35, GY6.35,
GZ6.35



Type TP61

Specifications

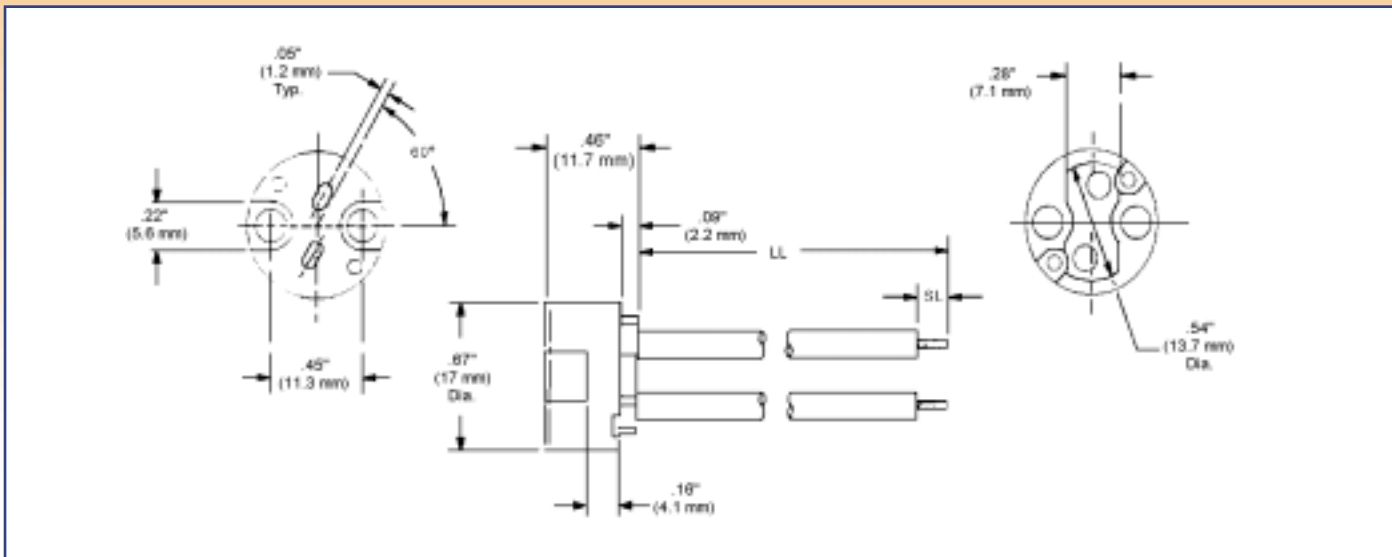
Maximum Wattage	750 W
Maximum Voltage	250 V
Maximum Operating Temperature	250° C
Qualifications	UL Recognized - E31557 CSA Certified - LR20904
Body Material	Steatite / Mica
Contact Material	High Temperature Nickel Alloy
Wire Leads	Any UL recognized and CSA certified wire: AWG 20, 18 or 16, 300 V min, 200° C min



How To Order

Product Number	Wire Gauge/Type	Wire Length (inches)	Wire Color	Strip Length (inches)
F510420	AWG16 UL1659	48	White	.25
F511440	AWG18 MGT/MGR	12	Natural	.25
F510960	AWG18 UL1726	7	White	.25
F598960	AWG18 UL1726	12	Black	.63
F599020	AWG18 SF1	12	White	.25
F510360	AWG20 UL1180	72	White	.25

• Other wire types and lengths available



(717) 848-8080 ext. 248
(717) 843-7075
lampholders@sylvania.com

TUNGSTEN HALOGEN LAMPHOLDERS

2-Pin Glass Base Lamps

LAMP BASE
 2-Pin Round Glass
 (.039" or .049" pin dia.)
 G6.35, GX6.35, GY6.35, GZ6.35



Type TP99

Specifications

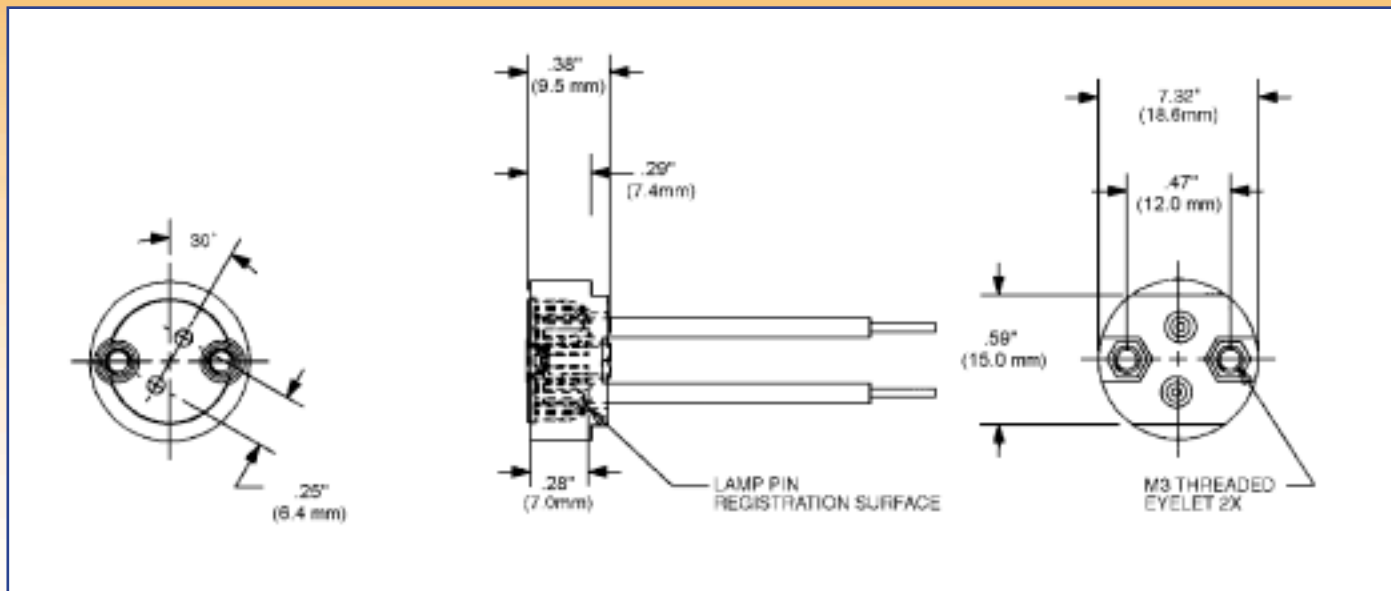
Maximum Wattage	500 W
Maximum Voltage	250 V
Maximum Operating Temperature	350° C
Qualifications	UL Recognized - E31557 CSA Certified
Body Material	Steatite / Mica
Contact Material	Silver Plated Nickel Alloy (with high temperature back-up spring)
Wire Leads	Any UL recognized and CSA certified wire: AWG18 min, 300 V min, 200° C min



How To Order

Product Number	Wire Gauge/Type	Wire Length (inches)	Wire Color	Strip Length (inches)
F511470	AWG18 SF1	3	White	.11

• Other wire types and lengths available



TUNGSTEN HALOGEN LAMPHOLDERS

2-Pin Miniature Base Lamps

LAMP BASE
 2-Pin Miniature
 (.060" dia. round or .025"
 flat pins x .210" ctr. to ctr.)
 G5.3, GU5.3, GX5.3, GY5.3



Type TP120

Specifications

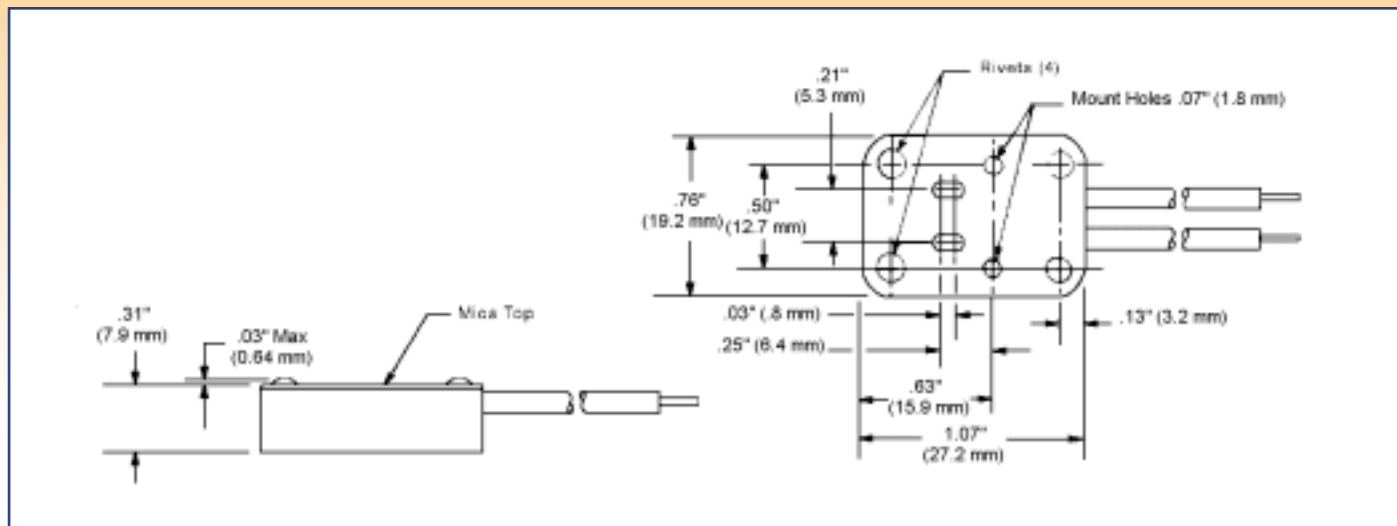
Maximum Wattage	750 W
Maximum Voltage	250 V
Maximum Operating Temperature	225° C
Qualifications	UL Recognized - E31557 CSA Certified - LR20904
Body Material	Steatite / Mica
Contact Material	High Temperature Nickel Alloy
Wire Leads	Any UL recognized and CSA certified wire: AWG 18 or 16, 300 V min, 150° C min



How To Order

Product Number	Wire Gauge/Type	Wire Length (inches)	Wire Color	Strip Length (inches)
F510180 (flat pins only)	AWG16 SF2	18	White	.31
F595200 (flat pins only)	AWG16 UL1659	7	White	.25
F510940 (round pins only)	AWG18 SF1	12	Black	.25
F597300 (flat pins only)	AWG18 SF1	6	White	.25
F586810 (flat pins only)	AWG18 SFF1	6	White	.18
F591380 (flat pins only)	AWG18 UL1180	18	White	.25
F510760 (flat pins only)	AWG18 UL1726	6	White	.25

• Other wire types and lengths available



(717) 848-8080 ext. 248
 (717) 843-7075
 lampholders@sylvania.com

TUNGSTEN HALOGEN LAMPHOLDERS

2-Pin Miniature Base Lamps

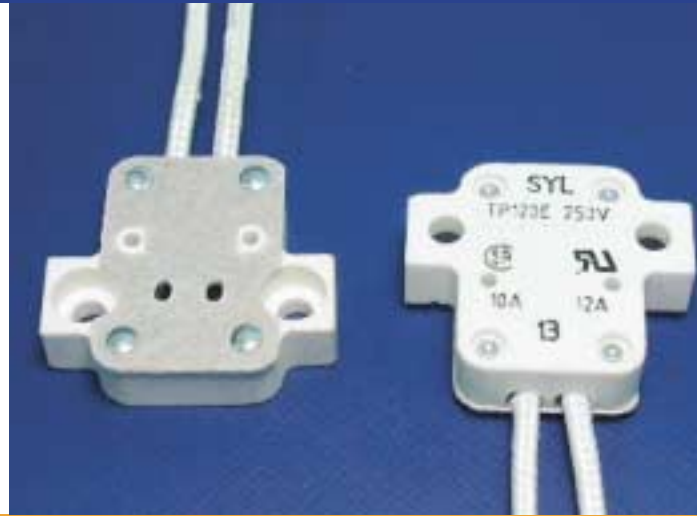
LAMP BASE
 2-Pin Miniature
 (.060" dia. round or .025"
 flat pins x .210" ctr. to ctr.)
 G5.3, GU5.3, GX5.3, GY5.3



Type TP120E

Specifications

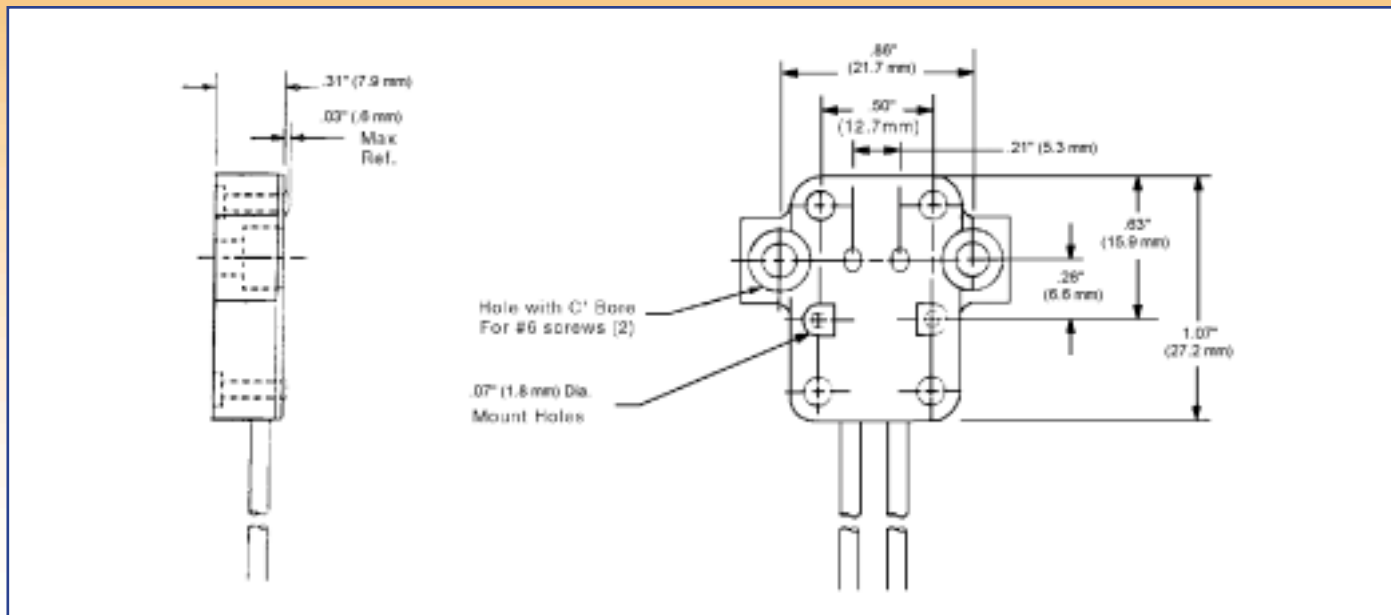
Maximum Wattage	750 W
Maximum Voltage	250 V
Maximum Operating Temperature	225° C
Qualifications	UL Recognized - E31557 CSA Certified - LR20904
Body Material	Steatite / Mica
Contact Material	High Temperature Nickel Alloy
Wire Leads	Any UL recognized & CSA certified wire: AWG 18 or 16, 300 V min, 150° C min



How To Order

Product Number	Wire Gauge/Type	Wire Length (inches)	Wire Color	Strip Length (inches)
F598540	AWG18 SF1	6	White	.25
F599640	AWG18 SF1	12	White	.25
F510860	AWG18 SF1	72	White	.25

- Other wire types and lengths available



TUNGSTEN HALOGEN LAMPHOLDERS

2-Pin Miniature Base Lamps

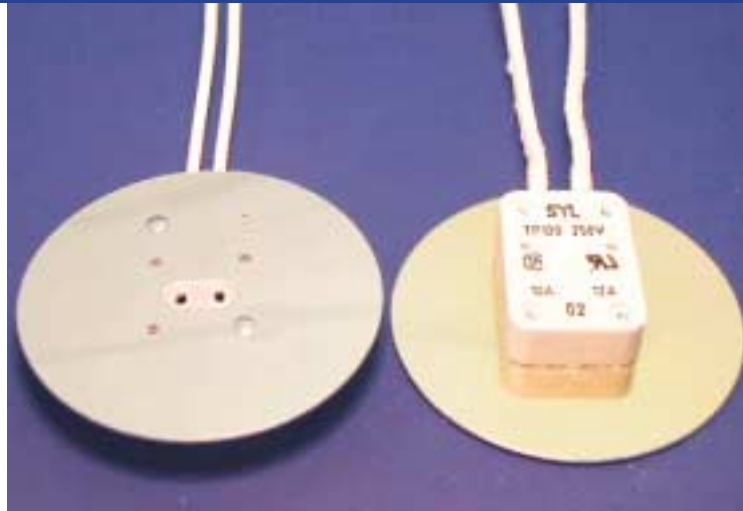
LAMP BASE
 2-Pin Miniature
 (.060" dia. round or .025"
 flat pins x .210" ctr. to ctr.)
 G5.3, GU5.3, GX5.3, GY5.3



Type TP120R

Specifications

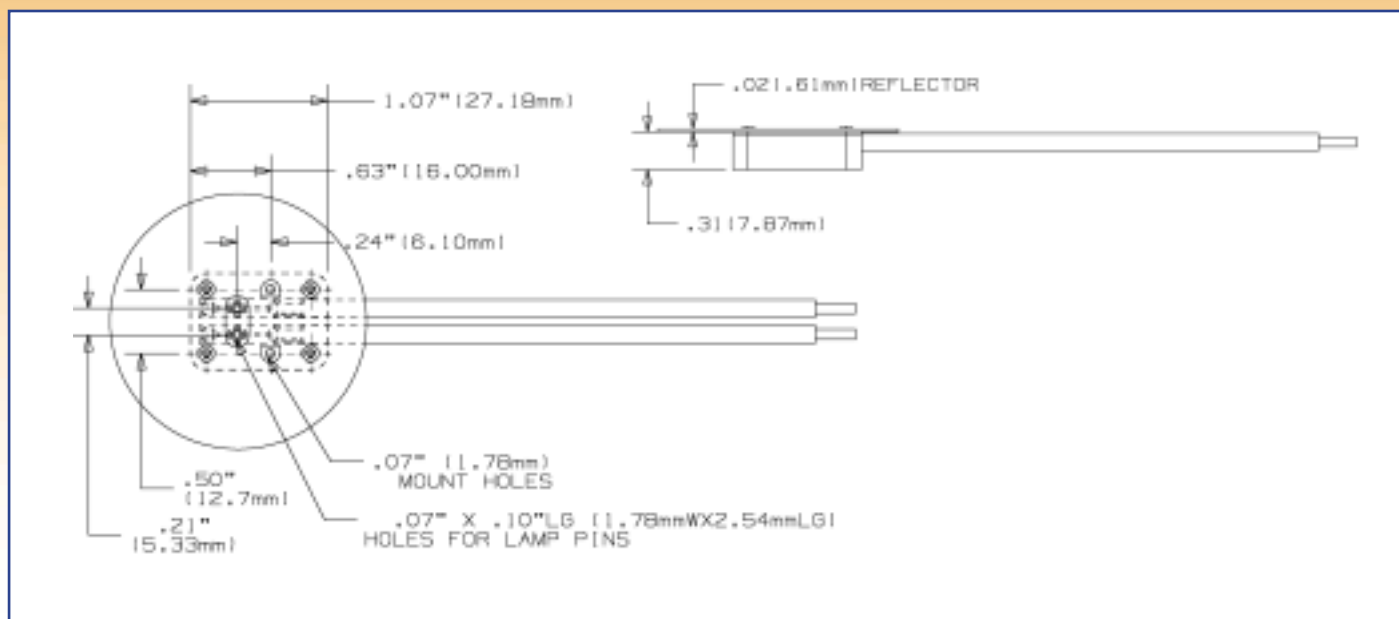
Maximum Wattage	750 W
Maximum Voltage	250 V
Maximum Operating Temperature	225° C
Qualifications	UL Recognized - E31557 CSA Certified - LR20904
Body Material	Steatite / Mica
Contact Material	High Temperature Nickel Alloy
Wire Leads	Any UL recognized and CSA certified wire: AWG 18 or 16, 300 V min, 150° C min



How To Order

Product Number	Wire Gauge/Type	Wire Length (inches)	Wire Color	Strip Length (inches)
F511630	AWG18 UL1726	18	White	.25
F597920	AWG18 SF1	9	White	.25
F597320	AWG18 SF1	12	White	.25
F511620	AWG18 SF1	28	White	.25

• Other wire types and lengths available

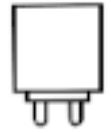


(717) 848-8080 ext. 248
 (717) 843-7075
 lampholders@sylvania.com

TUNGSTEN HALOGEN LAMPHOLDERS

2-Pin Medium Base Lamps

LAMP BASE
 2-Pin Medium
 (.125" pin dia. x .375"
 ctr. to ctr.)
G9.5



Type TP22

Specifications

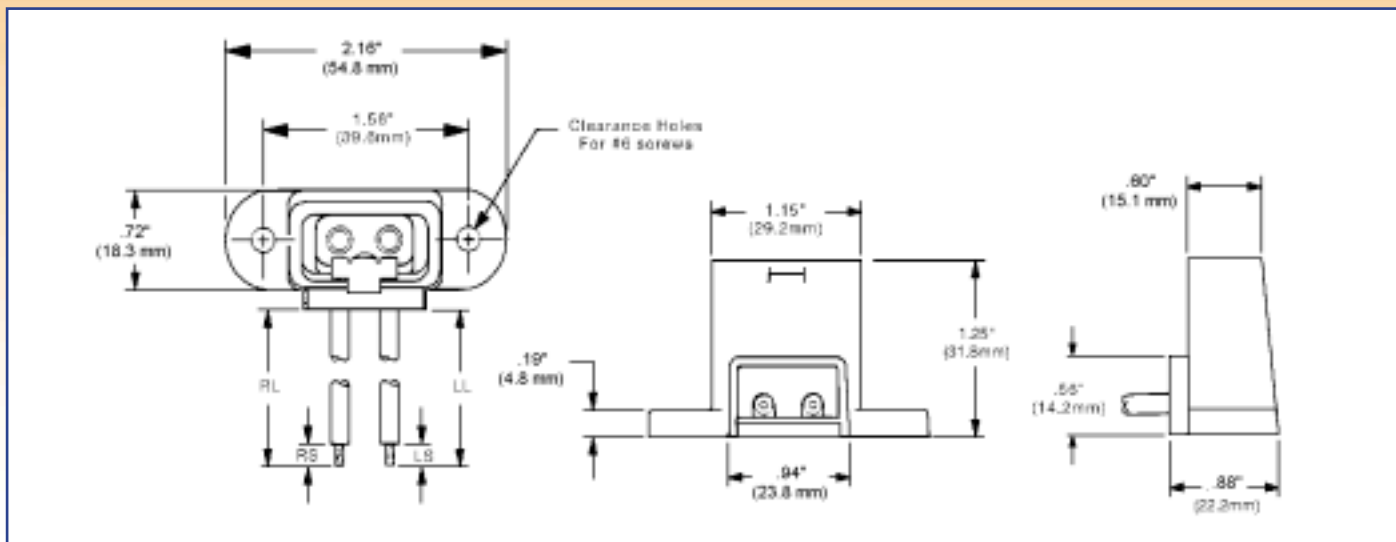
Maximum Wattage	1000 W
Maximum Voltage	250 V
Maximum Operating Temperature	200° C
Qualifications	UL Recognized - E31557 CSA Certified - LR20904
Body Material	Steatite / Die Cast Aluminum
Contact Material	Silver Plated Brass
Wire Leads	Any UL recognized and CSA certified wire: AWG 18, 16 or 14, 600 V min, 200° C min



How To Order

Product Number	Wire Gauge/Type	Wire Length (inches)	Wire Color	Strip Length (inches)
F510930	AWG14 UL1659	24	Black	.38
F592890	AWG16 SF2	12	White	.38
F586560	AWG16 UL1199	12	White	.15
F599510	AWG16 UL1659	24	White	.25
F593210	AWG18 UL1199	12	White	0
F511820	AWG18 SF1	36	White	.25

• Other wire types and lengths available



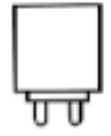
(717) 848-8080 ext. 248
 (717) 843-7075
 lampholders@sylvania.com



TUNGSTEN HALOGEN LAMPHOLDERS

2-Pin Medium Base Lamps

LAMP BASE
 2-Pin Medium
 (.125" pin dia. x .375"
 ctr. to ctr.)
G9.5



Type TP220

Specifications

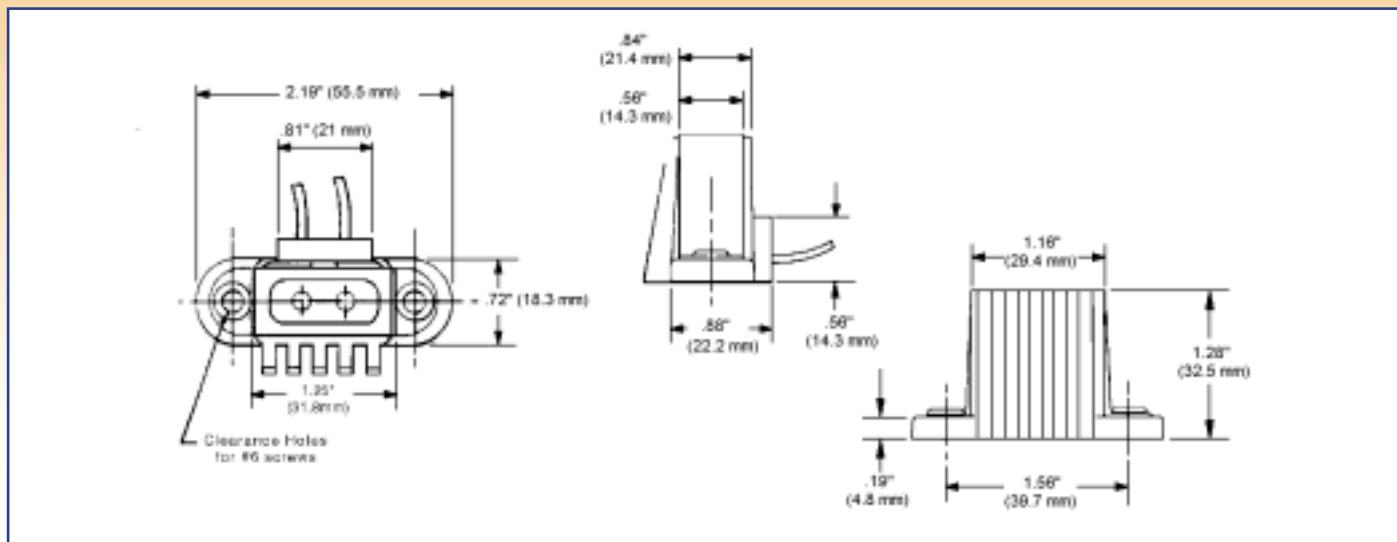
Maximum Wattage	1000 W
Maximum Voltage	250 V
Maximum Operating Temperature	250° C
Qualifications	UL Recognized - E31557 CSA Certified - LR20904
Body Material	Steatite / Die Cast Aluminum
Contact Material	Gold Plated Nickel
Wire Leads	Any UL recognized and CSA certified wire: AWG 18, 16 or 14, 600 V min, 200° C min



How To Order

Product Number	Wire Gauge/Type	Wire Length (inches)	Wire Color	Strip Length (inches)
F511160	AWG14 UL1659	40	White	.75
F510140	AWG16 SF2	24	Black	.25
F596030	AWG16 SF2	36	Black	.25
F591950	AWG18 UL1659	12	White	.25
F597240	AWG18 UL1659	42	White	.75
F597580	AWG18 UL1659	12" bent	White	.25

• Other wire types and lengths available



(717) 848-8080 ext. 248
 (717) 843-7075
 lampholders@sylvania.com

TUNGSTEN HALOGEN LAMPHOLDERS

Wedge Base Lamps



Type TP20 / TP20X

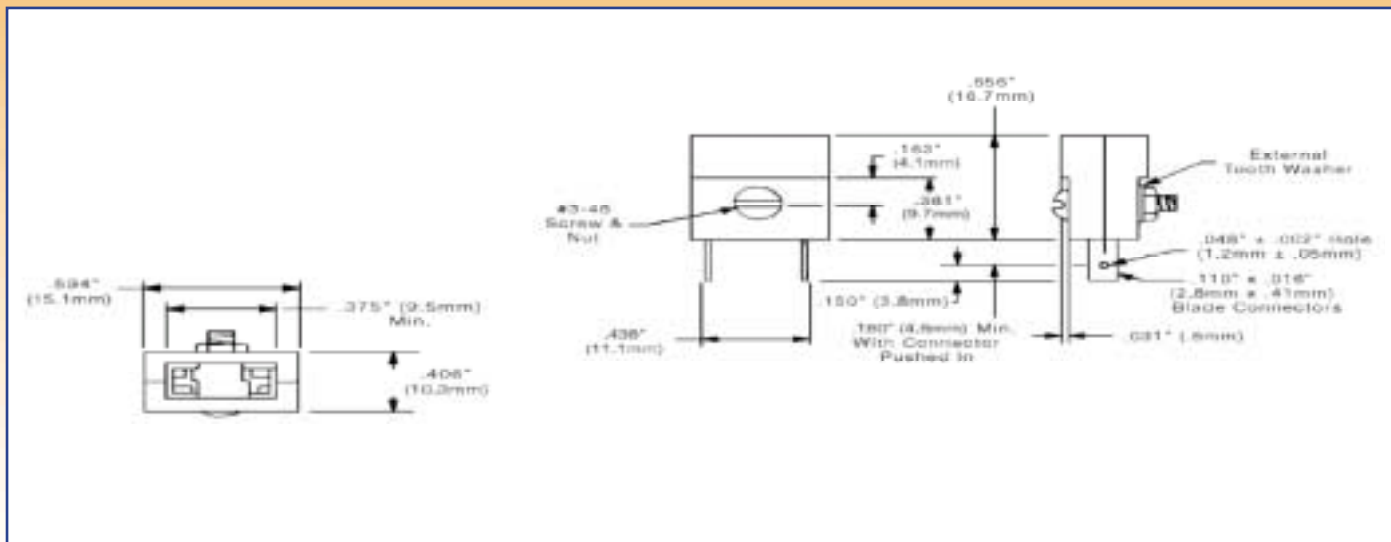
Specifications

Maximum Wattage	75 W
Maximum Voltage	40 V
Maximum Operating Temperature	225° C
Qualifications	UL Recognized - E31557 CSA Certified - LR20904
Body Material	Steatite
Contact Material	TP20 - Copper Nickel Alloy TP20X - Nickel Plated Stainless Steel
Attachment	Tabbed for .110" x .016" support receptacle



How To Order

Type	Product Number	Contact Material
TP20	F592040	Copper Nickel Alloy
TP20X	F592480	Nickel Plated Stainless Steel



TUNGSTEN HALOGEN LAMPHOLDERS

2-Pin High Voltage Lamps

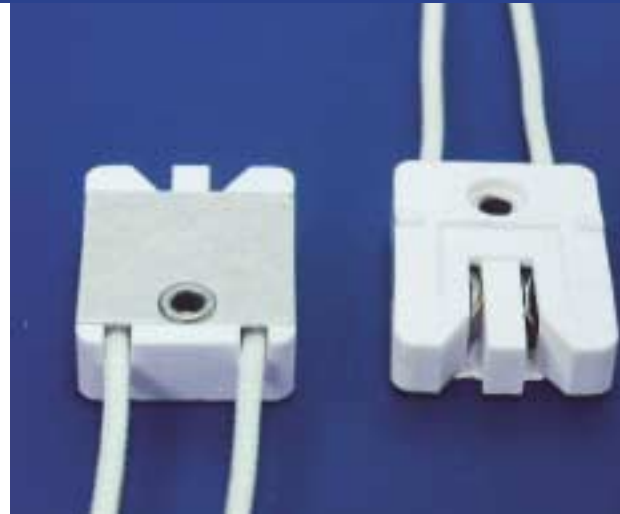
LAMP BASE
2-Pin Oval/Flat
High Voltage
GY5.3



Type TP30

Specifications

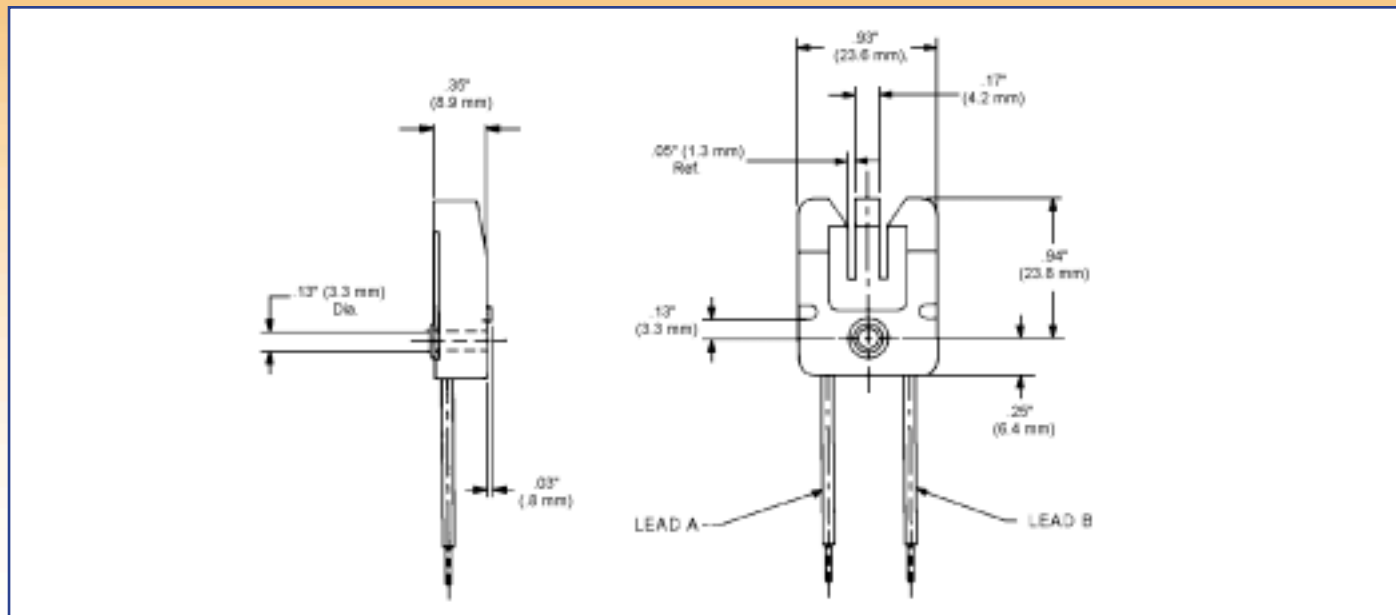
Maximum Wattage	500 W
Maximum Voltage	300 V
Maximum Operating Temperature	200° C
Qualifications	UL Recognized - E31557 CSA Certified - LR20904
Body Material	Steatite
Contact Material	Silver Plated Brass (with high temperature back-up spring)
Wire Leads	Any UL recognized and CSA certified wire: AWG 20, 18 or 16, 300 V min, 150° C min



How To Order

Product Number	Wire Gauge/Type	Wire Length (inches)	Wire Color	Strip Length (inches)
F599710	AWG20 UL1180	14.5	White	.37 (partial)
F591140	AWG18 SFF1	6	White	.25
F598810	AWG18 SFF1	12	White	.25

- Other wire types and lengths available



(717) 848-8080 ext. 248
(717) 843-7075
lampholders@sylvania.com

TUNGSTEN HALOGEN LAMPHOLDERS

2-Pin Low Voltage Lamps

LAMP BASE
 2-Pin Miniature Round
 (.060" pin dia. and
 .20" long)
 GX5.3



Type TP40

Specifications

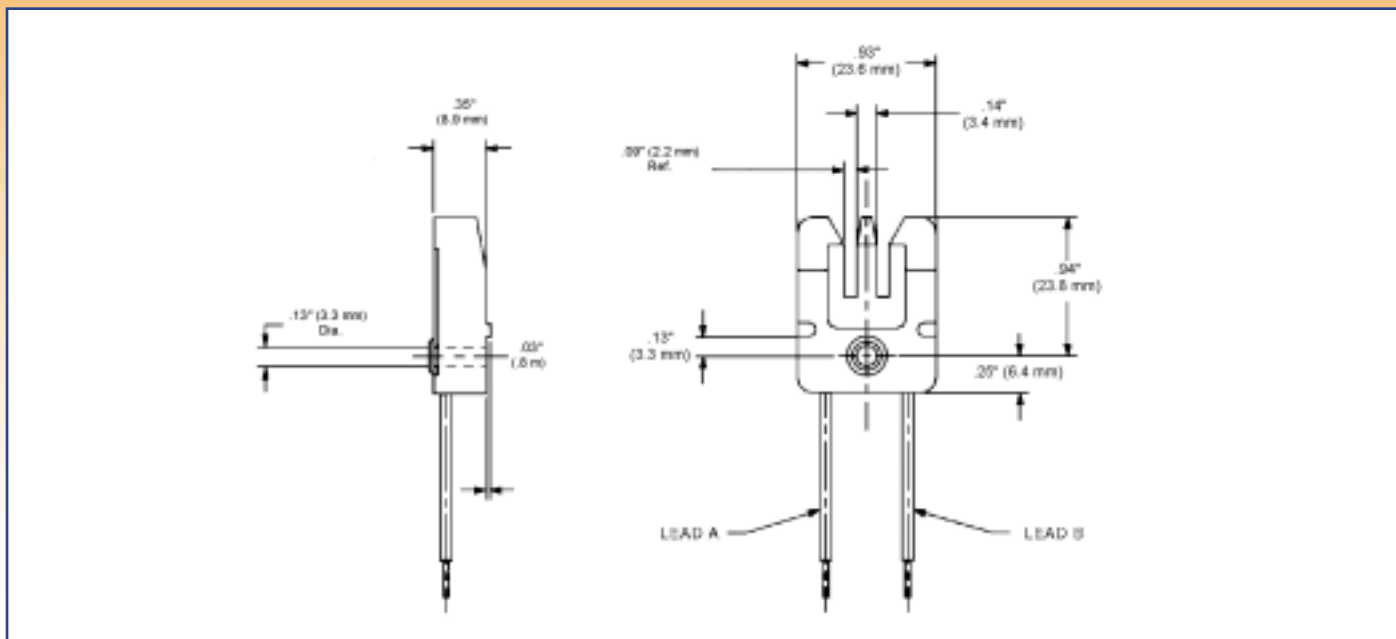
Maximum Wattage	500 W
Maximum Voltage	120 V
Maximum Operating Temperature	200° C
Qualifications	UL Recognized - E31557 CSA Certified - LR20904
Body Material	Steatite
Contact Material	Silver Plated Brass (with high temperature back-up spring)
Wire Leads	Any UL recognized and CSA certified wire: AWG 20, 18 or 16, 300 V min, 150° C min



How To Order

Product Number	Wire Gauge/Type	Wire Length (inches)	Wire Color	Strip Length (inches)
F598830	AWG18 SFF1	12	White	.25
F585770	AWG18 SFF1	6	White	.3125

• Other wire types and lengths available



(717) 848-8080 ext. 248
 (717) 843-7075
 lampholders@sylvania.com



TUNGSTEN HALOGEN LAMPHOLDERS

2-Pin Low Voltage Lamps

LAMP BASE

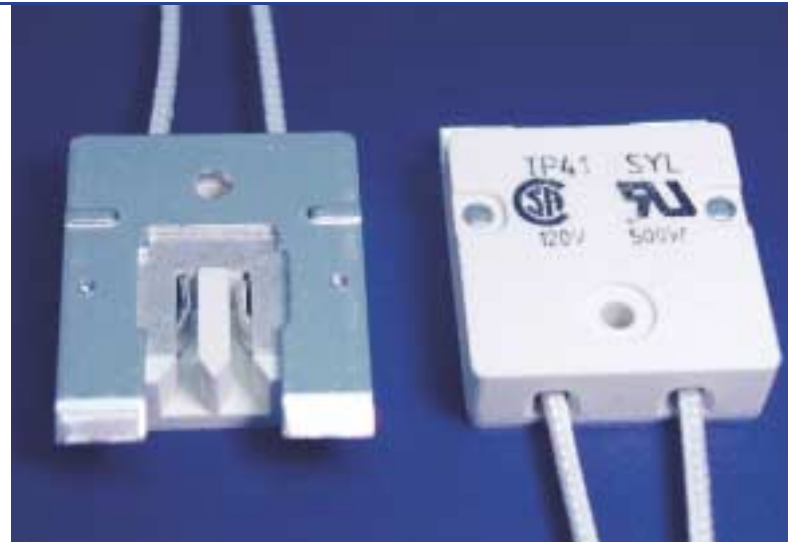
2-Pin Miniature Round
(.060" pin dia. and
.20" long)
GX5.3



Type TP41

Specifications

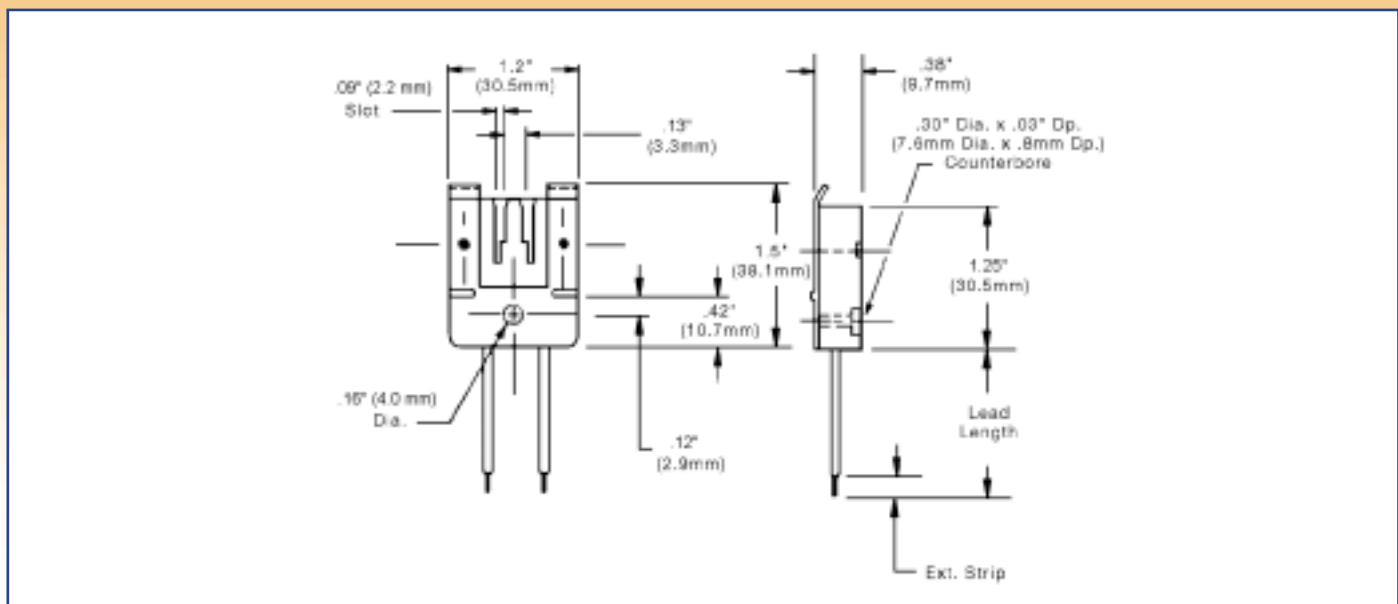
Maximum Wattage	500 W
Maximum Voltage	120 V
Maximum Operating Temperature	200° C
Qualifications	UL Recognized - E31557 CSA Certified - LR20904
Body Material	Steatite
Contact Material	Silver Plated Brass (with high temperature back-up spring)
Wire Leads	Any UL recognized and CSA certified wire: AWG 20, 18 or 16, 300 V min, 150° C min



How To Order

Product Number	Wire Gauge/Type	Wire Length (inches)	Wire Color	Strip Length (inches)
F511450	AWG18 SFF1	6	White	.3125
F594790	AWG18 SFF1	10	White	.375
F510250	AWG18 SFF1	12	White	.375
F511500	AWG18 UL1659	16	White	.375

• Other wire types and lengths available



TUNGSTEN HALOGEN RIM MOUNT LAMPHOLDER TP30, TP40 and TP41

LAMP BASE
Oval/Flat 2-pin
GX5.3, GY5.3



Specifications

Lampholder	TP30 (H), TP40 (L), TP41 (LE)
Mounting Bracket	Plated Steel (approx. .06" thick)
Lever	Plated Steel (approx. .085" diameter) D = right hand lever G = left hand lever
Retaining Spring	Music wire (approx. .037" diameter)
Lever Clamp	Plated Steel (holds lever in place)
Qualifications	UL Recognized - E31557 CSA Certified - LR20904

Catalog Code

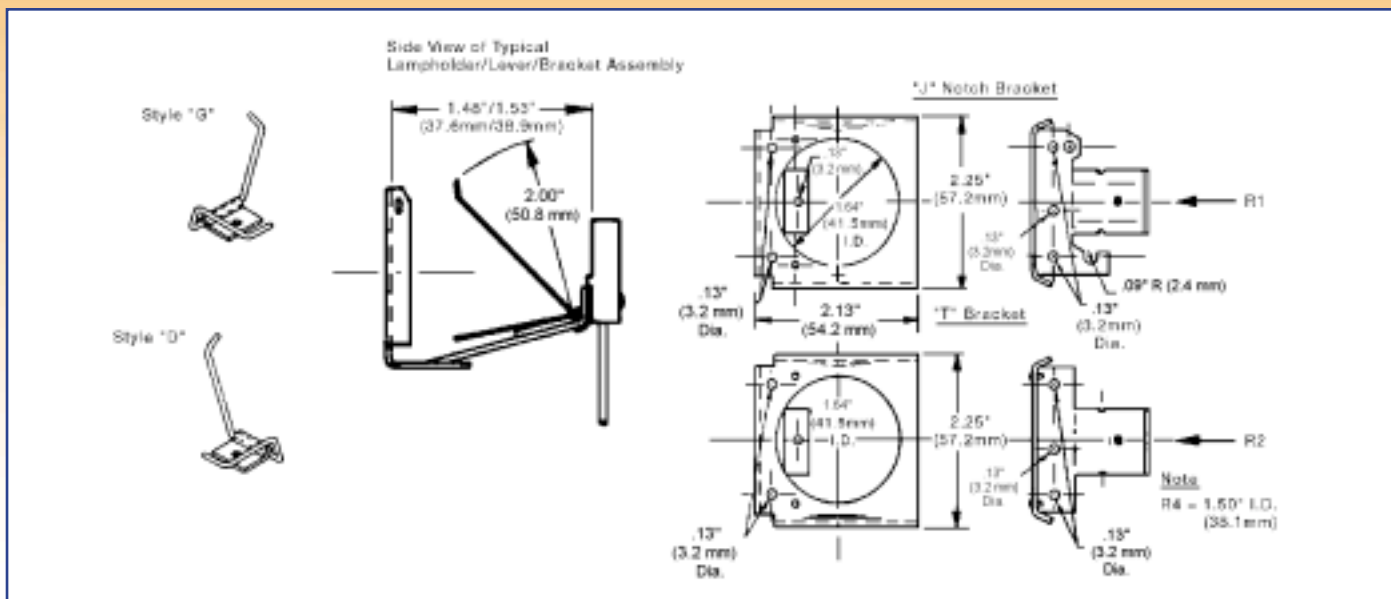
R	Rim Mount
1, 2, or 4	Mounting Bracket Variations (pictured below)
G or D	Lever Variatons
L, LE or H	Lampholder Variations



How To Order

Product Number	Catalog Code	Product Description	Wire Gauge/Type	Wire/Strip Length (in)
F585450	R1D	J bracket, right lever only	n/a	n/a
F510450	R1DH	J bracket, right lever, TP30	AWG18 SFF1	12 / .25
F585550	R1DL	J bracket, right lever, TP40	AWG18 UL1199	12 / .65

• Other catalog codes available



(717) 848-8080 ext. 248
 (717) 843-7075
 lampholders@sylvania.com



METAL HALIDE LAMPHOLDERS

Double Ended Lamps

LAMP BASE
 Double Ended
 SFc10-4 with
 Keylock for Pre-Focus



Type SFc10-4 with Pre-Focus

Specifications

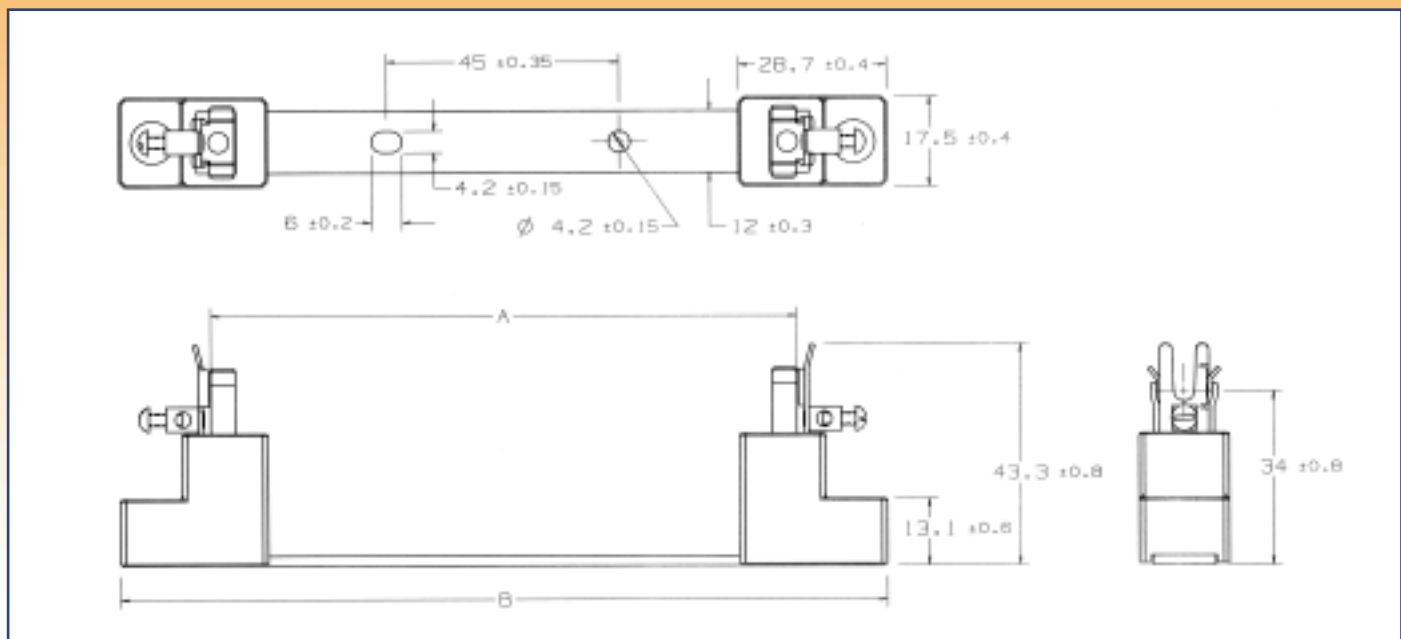
Maximum Wattage	1200 W
Maximum Voltage	1000 V
Pulse Rating	25 kV*
Maximum Operating Temperature	250° C
Qualifications	UL Recognized - E31557 CSA Certified - LR20904
Body Material	Steatite
Contact Material	Nickel Plated Nickel
Attachment	AWG 18-12 Wire



* Dielectric breakdown rating of 15kV as UL certified

How To Order

Product Number	Lamp Base Spacing (A)	Overall Length (B)	Lamp Wattages
F511939	115 mm	148.6 ± 1.5mm	All SharXS® HTI® (135mm overall length)



(717) 848-8080 ext. 248
 (717) 843-7075
lampholders@sylvania.com



OSRAM SYLVANIA
Precision Materials & Components
1128 Roosevelt Avenue
York, PA 17404
☎ (717) 848-8080 ext. 248
☎ (717) 843-7075
✉ lampholders@sylvania.com
www.sylvania.com/lampholders

PMC008